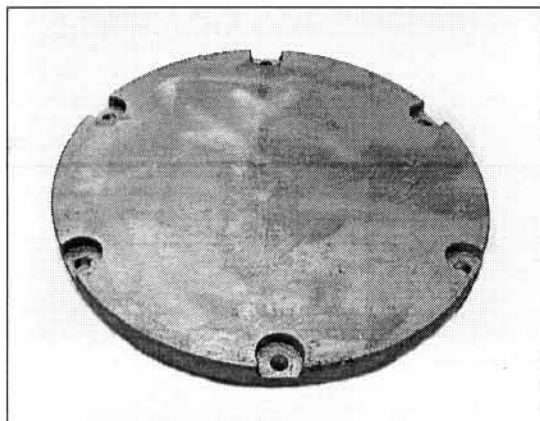


COVER PLATES



AK400012

1. Approved and Certified to FAA Advisory Circular AC150/5345-42; L867 B,D,E; L868 A,B,C
Size: A=10", B=12", C=15", D=16", E=24"

2. Material: A36 Steel

3. Cover plates are galvanized to ASTM A386

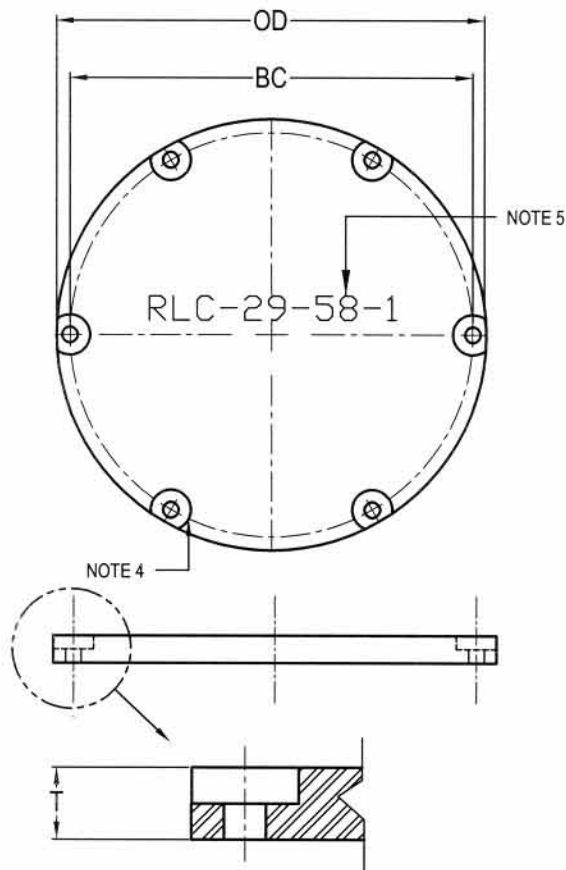
4. (6) 7/16" Ø equally spaced, thru holes with 1 1/8" Ø x 3/8" deep counter bore
Counter bore only on Covers 1/2" & thicker

5. ★ Contact factory for variations:

- GROUNDING
- ENGRAVED MARKINGS
- TAPPED OPENINGS
- THICKER SIZES

6. Steel Cover Plates,

Do Not Include Bolts or Gaskets



TYPE	★ min.T	BC	OD
AK1000 _ _	.25"	10.25"	13.5"
12" L867B	[12.7]	[260]	[343]
AK2000 _ _	.25"	14.25"	17.375"
16" L867D	[12.7]	[362]	[441]
AK3000 _ _	.75"	9.25"	10"
10" L868A	[19.1]	[235]	[254]
AK4000 _ _	.75"	11.25"	12"
12" L868B	[19.1]	[285.8]	[304.8]
AK5000 _ _	1.25"	14.25"	15"
15" L868C	[31.75]	[362]	[381]
AK7000 _ _	.5"	21.5"	24"
24" L867E Modified	[12.7]	[546.1]	[609.6]

[] = dimensions in metrics; mm