

DRL3000 SERIES

 PRO SERIES DIRECT VENT GAS FIREPLACES

Superior
FIREPLACES®
Our name is our promise.



CONTEMPORARY

The DRL3000 direct vent gas fireplace is a contemporary linear design for a sleek and dramatic appearance. The expansive ceramic glass opening provides an exceptional view of the gentle, calming flames in black reflective porcelain interior. As versatile as it is efficient, the DRL3000 is the choice for affordable comfort in any modern living area.



FEATURED DRL3054 shown with Black Reflective Porcelain liner with clean-faced trim kit

EXCLUSIVE FEATURES

- 🔥 Available in 42" and 54" linear configured models
- 🔥 Gas controls are conveniently hidden in the fireplace floor
- 🔥 Electronic ignition with battery backup to operate in the event of a power outage (unit installed IPI/CPI switch standard)
- 🔥 Exclusive Infini-Flame™ technology provides a continuous band of gentle flames across the expansive viewing area
- 🔥 71.9% industry leading AFUE
- 🔥 Clean-face design features ceramic glass for optimum heat transfer and 2015 ANSI barrier compliant
- 🔥 Optional blower to fine tune your heating needs
- 🔥 Interior finish selections consist of three-piece reflective porcelain panels and reflective black crushed glass media
- 🔥 Includes clean-faced trim kit or purchase an optional four-piece surround kit in black painted or brushed stainless steel finish
- 🔥 On/Off remote control
- 🔥 20 year limited warranty



FEATURED DRL3042 with its impressive flame display.

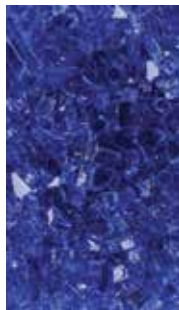
GLASS MEDIA OPTIONS

(Required)

Choose from four glass media options to complement your decor (Reflective Black media comes standard).



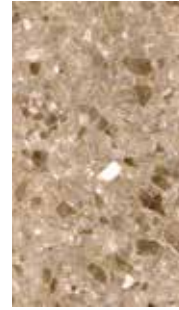
Reflective Black (standard)



Reflective Blue



Copper



Goldfinger



Platinum

SURROUND OPTIONS

(Optional)

Choose from Black or Brushed Stainless Steel finishes.

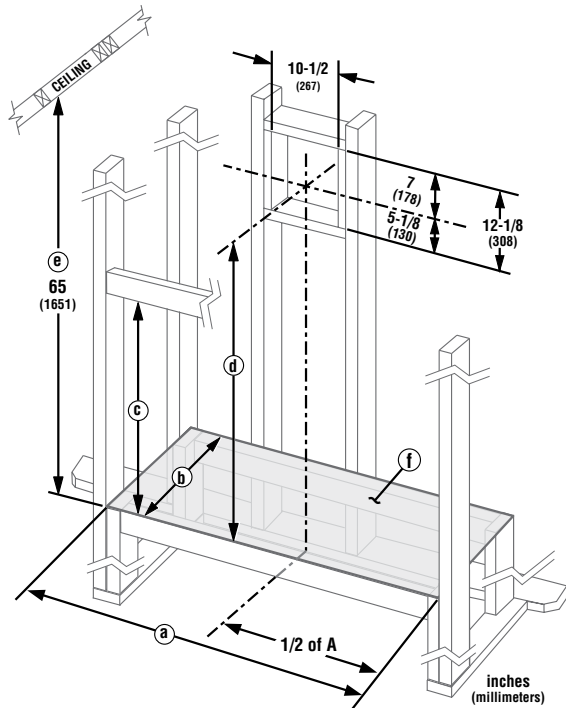


Black (painted)

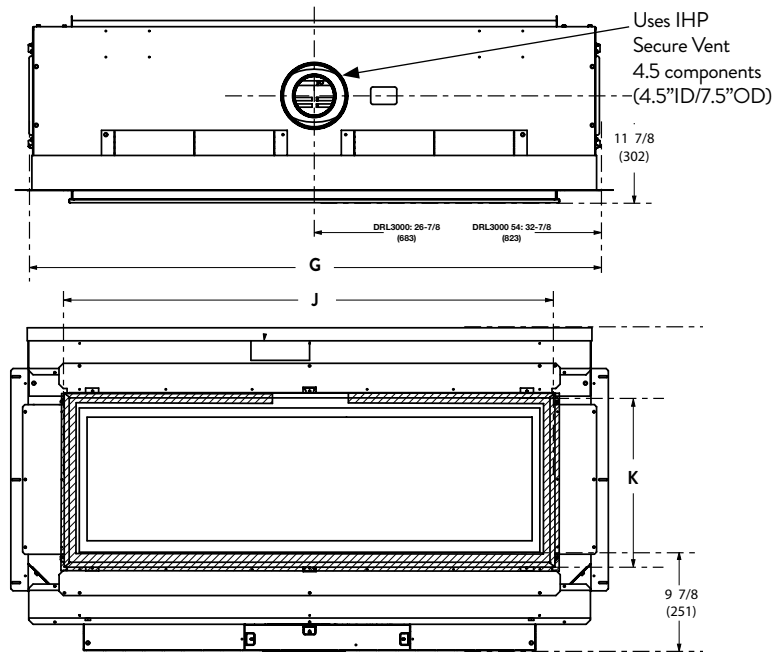


Brushed Stainless Steel

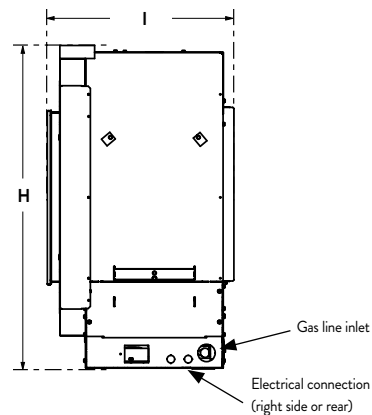
FLAT WALL FRAMING SPECIFICATIONS



APPLIANCE SPECIFICATIONS



RIGHT SIDE VIEW



	DRL3042	DRL3054
A	54"	66"
B	20-1/2"	20-1/2"
C	37"	41-3/4"
D	44-3/8"	48-1/4"
E	Minimum height from appliance base front to ceiling	
F	Mounting platform required	



Approved for use with European Copper and Chimney Classics chimney tops, which improve performance and add an elegant touch.

On the Cover: DRL3042 shown with Black Porcelain Liners and Clean-Faced Kit

IMPORTANT NOTES:

As with any heating appliance, fireplace or stove, this appliance is extremely hot during operation. Read and understand all operating instructions before using this appliance. For further information, consult your dealer.

Local conditions, such as elevation, wind, vent configuration and choice of fuel will affect overall appearance of the fire and heating performance. Performance can also vary with home design and insulation, climate, condition and type of fuel used, appliance location, burn rate, accessories chosen, chimney installation and how the appliance is operated.

Diagrams, illustrations and photographs are not to scale—consult installation instructions. Product designs, materials, dimensions, specifications, colors and prices are subject to change or discontinuance without notice.



© 2015 Innovative Hearth Products

785624M 01/15

Visit us online



SuperiorFireplaces.us.com

	DRL3042	DRL3054
G	53-3/4"	65-3/4"
H*	32-1/2"	36-3/8"
I	20-1/2"	20-1/2"
J	44-1/8"	56-1/8"
K	15-11/16"	19-5/8"

*Additional 4-3/8" for standoffs

FIREPLACE EFFICIENCIES — Listed to ANSI Z21.88 as a gas fireplace heater.

MODEL	FUEL	BTU/HR	AFUE**	P4/ENERGUIDE*
DRL3042TEN	NG	22,000	66.7%	54.2%
DRL3042TEP	LP	20,000	69.6%	59.4%
DRL3054TEN	NG	30,000	71.9%	63.2%
DRL3054TEP	LP	30,000	72.1%	65.5%

*Intermittent ignition systems

**Annual Fuel Utilization Efficiency (AFUE) is the recognized U.S. rating system for the total efficiency of heating products.

