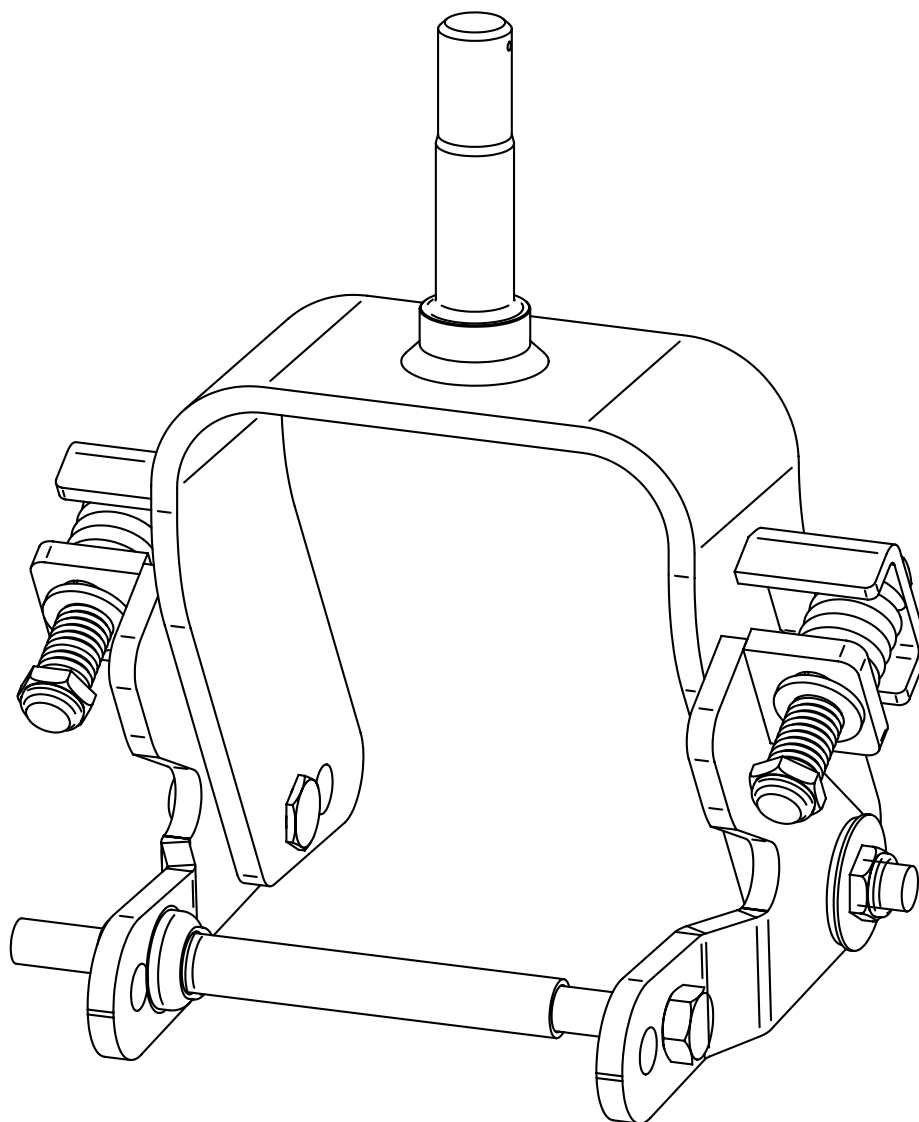


DIXIE CHOPPER

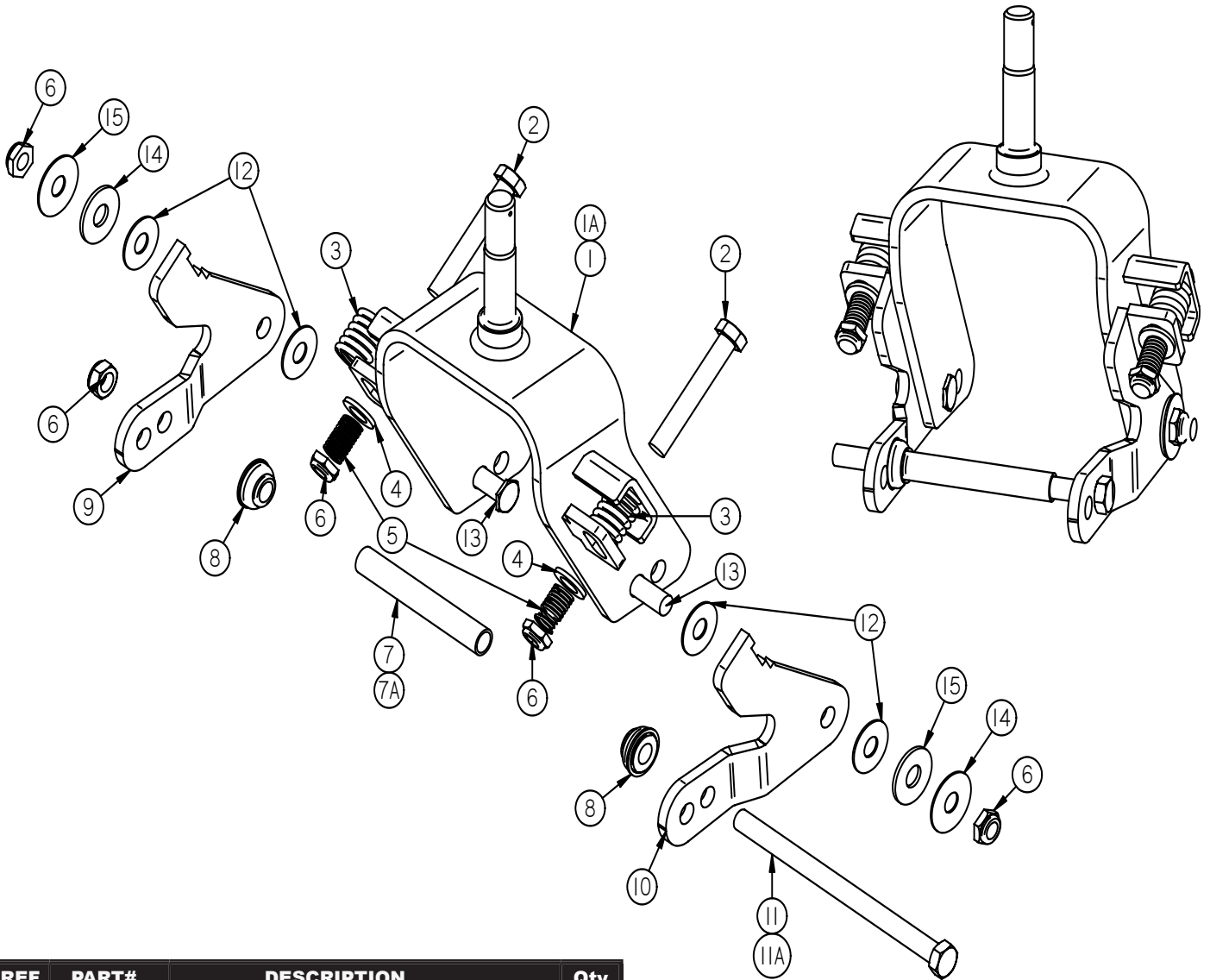
The World's Fastest Lawn Mower



SPRINGER FRONT FORK PARTS MANUAL

DIXIE CHOPPER[®]

SPRINGER FRONT FORK ASSEMBLY



REF	PART#	DESCRIPTION	Qty
	100210 100200	Big Front Fork Small Front Fork	
1 1A	100211 100201	Weldment - Fork Front Springe Big Weldment - Fork Front Springer Small	1
2	B-309	5/8"-11x4" Bolt	2
3	100107	Spring	2
4	W-135	5/8"x1/8" Thick Washer	2
5	20280-10	Suspension Spring	2
6	N-147	5/8"-11 Nylon Jam Nut	4
7 7A	400277 400276	Spacer (Big Fork) (Small Fork)	1

REF	PART#	DESCRIPTION	Qty
8	400275	Bearing	2
9	100202	Weldment - Arm Spring RH	1
10	100203	Weldment - Arm Spring LH	1
11	B-146	5/8"-11x9 1/2" Bolt (Big Fork)	1
11A	B-122	5/8"-11x7" Bolt (Small Fork)	
12	W-140	5/8" Nylon Washer	4
13	B-308	5/8"-11x1 3/4" Bolt	2
14	W-100	5/8" ID. 2" OD. Bellville	2
15	W-190	.715x1.25x.136 Zinc Washer	2

DIXIE CHOPPER[®]

NOTES

Big Front Fork Part # 100210 List Price \$186.00

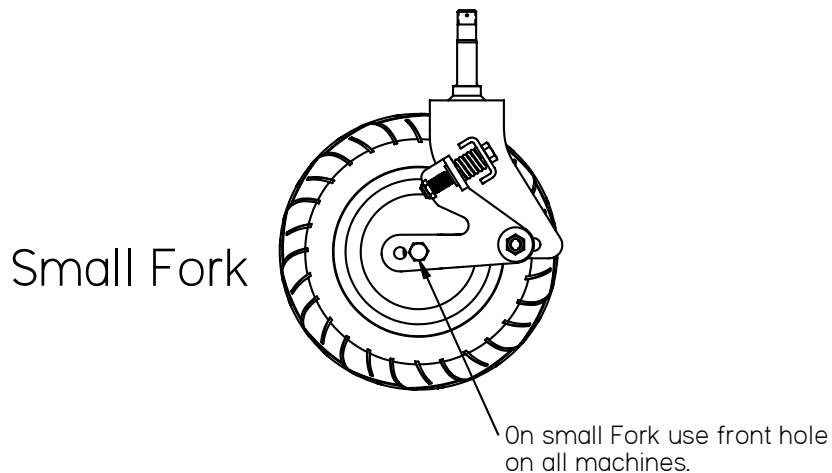
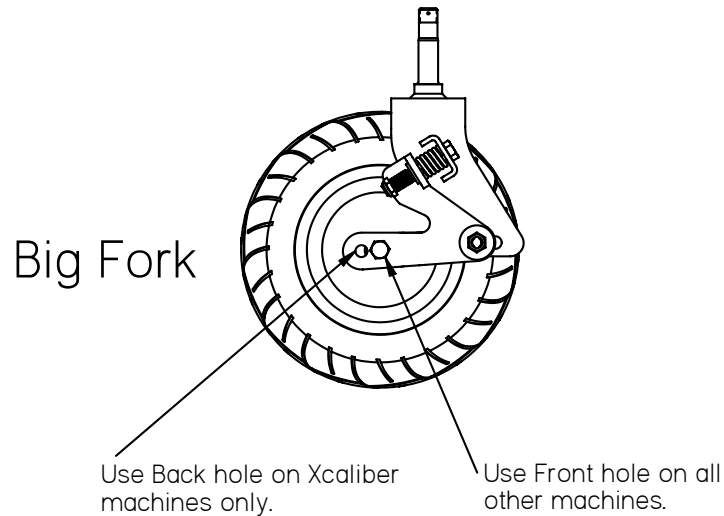
Big Front Fork Kit Part # 100210-K List Price \$299.00

Kit Includes 2

Small Front Fork Part # 100200 List Price \$186.00

Small Front Fork Part Kit # 100200-K List Price \$289.00

Kit Includes 2



DIXIE CHOPPER

The World's Fastest Lawn Mower

6302 E. County Road 100 North
Coatesville, IN. 46121
Phone 1-765-CHOPPER
www.dixiechopper.com

Dixie Chopper, Magic Circle, and the Magic Circle Atom Logo are all trademarks of Magic Circle Corporation and may not be reproduced without permission.

Printed In USA

Specifications and instructions subject to change without notice.

Print Date 10/07