

CC-16 Contour Projector®

The **CC-16** is a top quality optical comparator designed to meet the needs of today's manufacturers. The 16" diameter screen displays crisp, evenly illuminated images at every available magnification.

- Exclusive TruLight® all-LED illumination
- CC-16 is "rock solid" with its cast mineral composite base that provides structural integrity for consistent performance in shop environments
- Optional VidiProbe® video measurement and eCAD® virtual chart gage system

Benchtop Optical Comparator



Proudly designed and manufactured in the United States of America



*Shown with QVI® Q-Check® DRO.

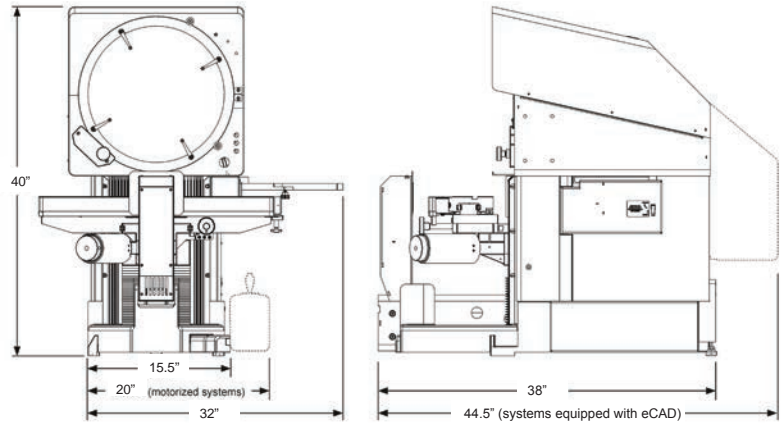
CC-16 Contour Projector

Available Options and Accessories:

- Extended X-axis travel
- Adjustable direct projection iris
- Digital video screen image capture
- EdgeScan internal automatic edge detection (requires a Quadra-Chek or Q-Touch DRO)
- Projectron automatic grayscale edge detection (requires a Q-Check DRO)
- VidiProbe Video Measurement and Measure-X 2D software
- Fixture and calibration reticles
- Fresnel lens
- Overhead light shield
- Glass and plastic overlay charts
- Heavy duty cabinet stand with storage space
- Ergonomic, motorized adjustable height stand
- Swing away lamphouse
- Service and support contracts

Optional Software:

- Measure-X[®] 2D Metrology Software
- MeasureFit[®] Plus
- SmartReport[®] with real-time statistics
- Quadra-Chek[®] QC-Wedge (requires Microsoft[®] Excel[™])
- eCAD[®] for electronic CAD overlay & virtual chart systems
- eChek[™] Metrology Software



System Weight: 495 lb

	Standard	Optional
XY Travel Range (in)	15 x 6	18 x 6
Helix Angle Range	±7.5° with pivoting worktable assembly and zero stop	
Z Focus Travel (in)	2" with precision fine adjustment	
Throat Clearance (in)	10.75	
XY Scale Resolution (in)	0.00004	0.00002
XY Drive System	Motorized, with variable speed joystick control and manual fine adjustment knobs	
Worktable (in)	Hardcoat anodized aluminum with fixturing slot, 20 x 4.75	
Recommended Maximum Load Capacity (lb)	60	
Optical System	Telecentric with upright, reversed image	
Screen	16" diameter ground glass screen, with integral hood, 90° centerlines and clips for mounting overlay charts	
Protractor	Digital screen display, ± 360° readout with 1' (0.017°) resolution	
Working Distance (in)	3.8	
Lens	10X Projection lens	20X, 31.25X, 50X, 100X
Lens Mount	Internal, quick change lens mount and storage rack with locking access door	Two position lens turret, manual, internal
Illumination	Profile light: High-brightness green LED with continuously variable intensity control	Oblique (Dark Field), Ring Light with 8 white LEDs, 6 switch-selectable patterns for effective directional lighting; continuously variable intensity Through-the-lens coaxial surface light, white brightfield, LED, continuously variable intensity
Electronics	Choice of Quadra-Chek [®] QC-100 or QVI Q-Check [®]	Quadra-Chek QC-200 or QC-300 Q-Touch [™]
Power Requirements	115/230VAC, 50/60 Hz, 1ϕ, 600W	



Quality Vision International, Inc.

Phone: +1 585 758 1300

Fax: +1 585 506 4307

ccpinfo@qvii.com

www.qvii.com/ccp

