

HALI-BRITE®

HBM 400 L-802A Airport Rotating Beacon

Compliance with Standards:

FAA: L-802A A/C150/5345-12 (Current Edition)
ICAO: Annex 14, para 5.3.3

Applications

L-802A Rotating Beacons are designed primarily for night operation as identification and location markers for airports.

Features

- Patented belt-drive system eliminates the lubrication maintenance required by conventional gear-drive beacons (U.S. Pat. 5,339,224)
- Patented liquid-filled lamp connector, eliminating the slip rings and brushes found on conventional beacons (U.S. Pat. 5,816,678)
- Two 32,400 lumen, 400 watt metal-halide lamps
- 15,000 hour typical lamp life (2-3 years)
- One clear lens, one aviation green lens
- NO maintenance except lamp replacement
- All moving parts are permanently lubricated
- Thermally-protected motor eliminates burnouts
- Lamps preset 5° above horizontal, adjustable
- 12 RPM rotation, 24 flashes/minute
- Weatherproof steel cabinet, powder coated international orange
- Class I temperature range: -30 to +55 °C (-22 to +131 °F)
- Class II temperature range: -55 to +55 °C (-67 to +131 °F)
- Tested to wind velocities of 100 mph
- Optional photocell and/or tell-tale relay
- Mountable on a Hali-Brite Tipdown Pole
- Military version available
- Power Consumption: 965W Class I, 1365W Class II
- Manufactured in the USA



Beacon Tipdown Pole

AAE → Advanced Airport Equipment

email : Sales@advancedairporequipment.com

7857-12 Drew Circle
Fort Myers, Florida 33967
Tel: 866-273-5906 Fax: 866-345-5906
Intl 239-432-0200 Fax: 239-432-0219

Manufactured by **HALI-BRITE®**

Ordering Information

Part Number	Description
L802A4116	120 VAC, 60 Hz, Class I
L802A4125	220-240 VAC, 50 Hz, Class I
L802A4126	220-240 VAC, 60 Hz, Class I
L802A4216	120 VAC, 60 Hz, Class II
L802A4225	220-240 VAC, 50 Hz, Class II
L802A4226	220-240 VAC, 60 Hz, Class II

NOTE: 220-240 VAC must be single wire with neutral

Options

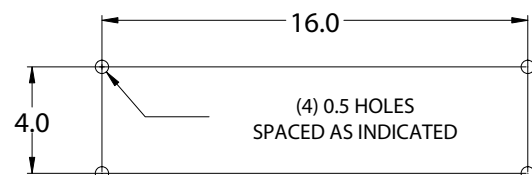
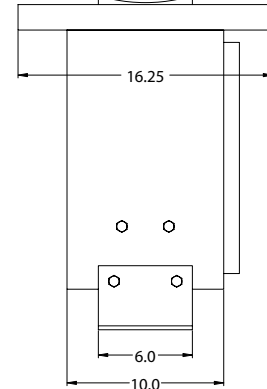
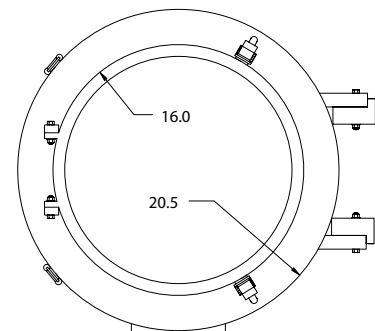
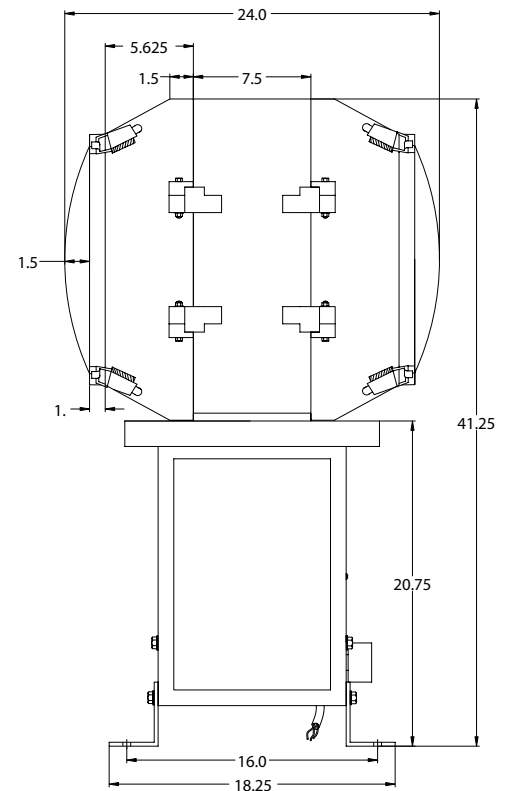
Part Number	Description
L801/802 T/T HBM 120	Tell-tale Relay, 120 VAC
L801/802 T/T HBM 240	Tell-tale Relay, 220-240 VAC
4200-0000	Tower Mounting Kit
4200-0002	REA Pole Mounting Kit

Replacement Parts

Part Number	Description
0200-0005	Ballast, 60 Hz
0200-0015	Ballast, 50 Hz
0600-0003	Belt
2300-0003	Lamp Fuse, 10 amp
2300-0002	Motor Fuse, 1/2 amp
3400-0400/U/ED28	Lamp, 400 watt
2800-0035	Lens, Clear
2800-0044	Lens, Green
0100-0253	Lens Clip
0000-0000-1	Lightning Arrestor

Shipping Information

Unpackaged Weight: 150 pounds
 USA Shipping Weight: 250 pounds
 USA Shipping Volume: 48"x42"x32"
 International Shipping Weight: 200 pounds
 International Shipping Volume: 48"x40"x32"



MOUNTING BOLT PATTERN

The information contained in this document is subject to change without notice.