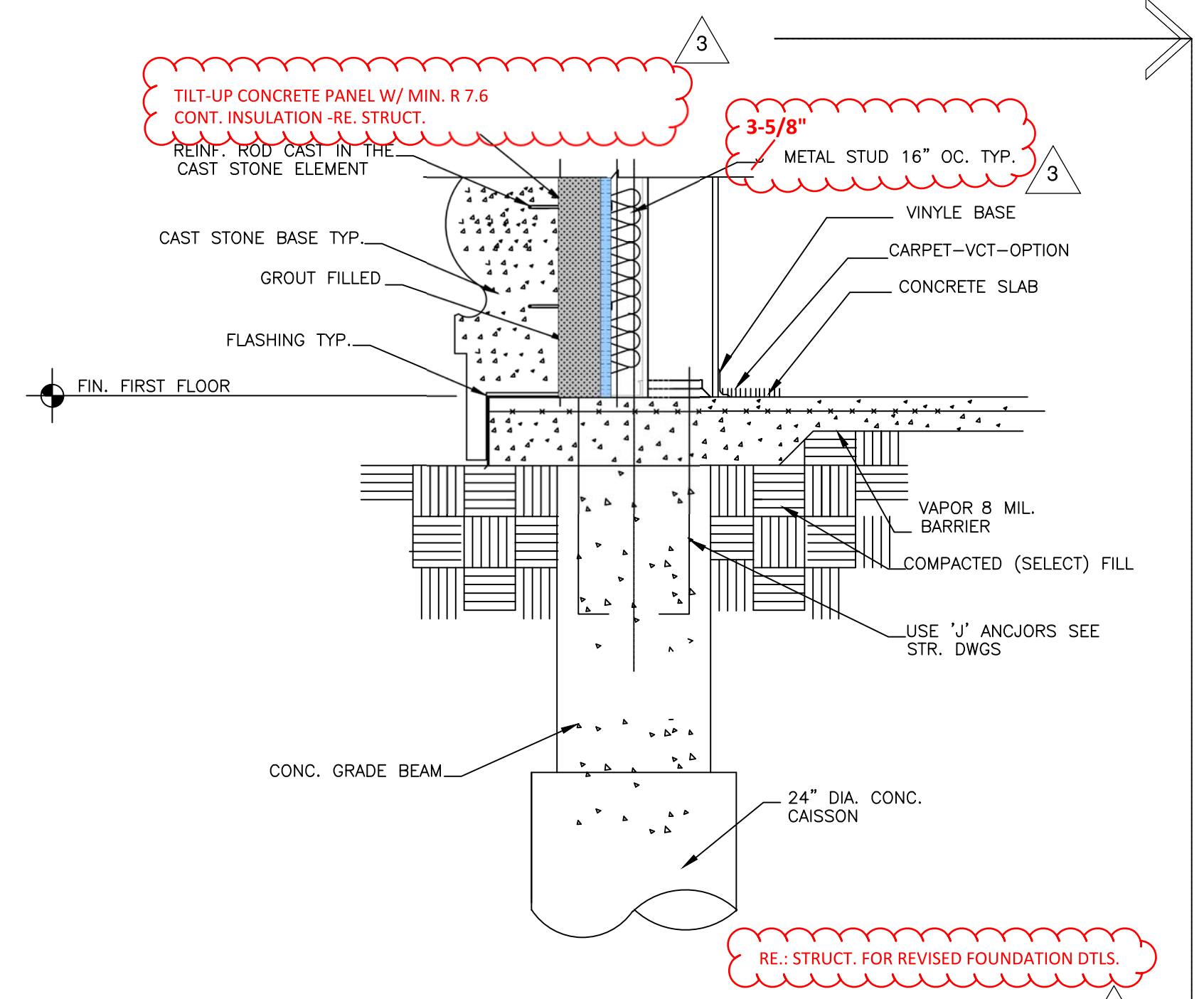
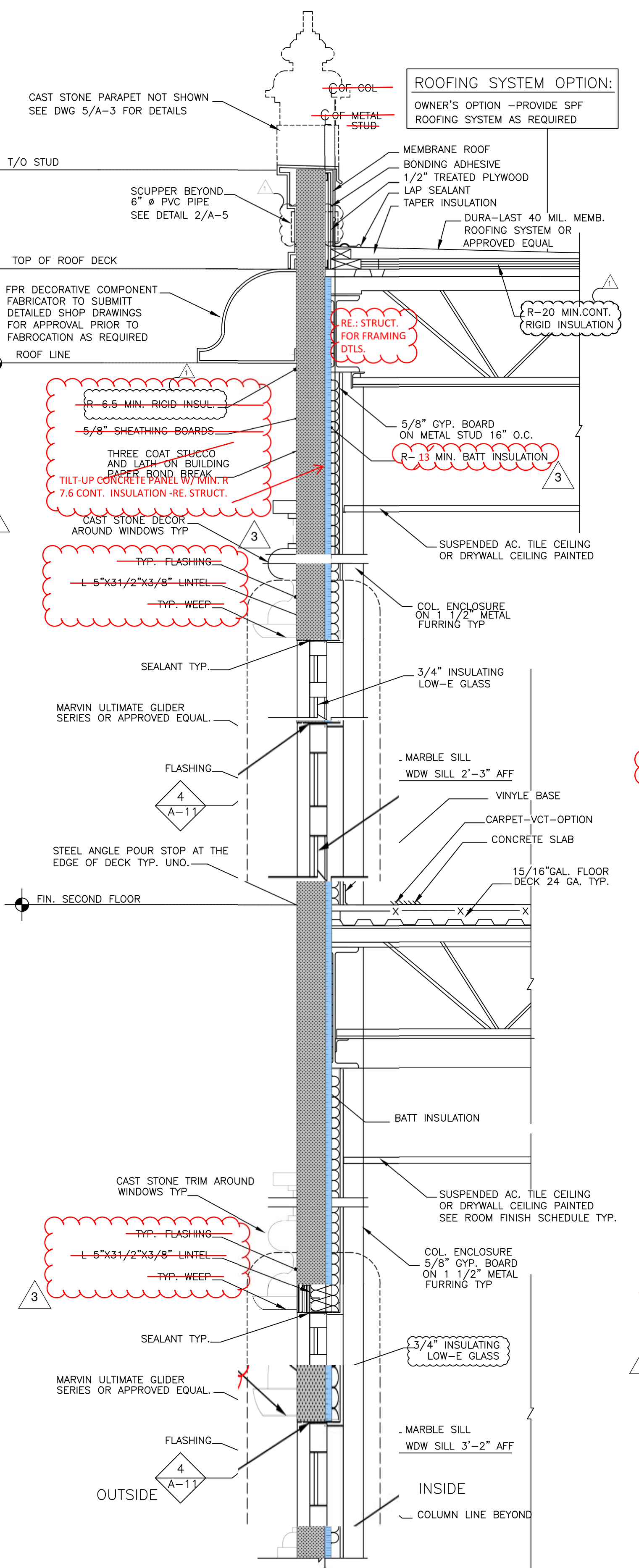


**DETAIL AT CORNER**  
SCALE : 3/4" = 1' - 0"

NOTE : DUE TO VARYING SIZE CAST STONE CONCRETE ELEMENTS ON THE EXTERIOR FINISHES ADJUST ALL DIMENSIONS AS REQUIRED, INTERIOR DIMENSIONS OF THE BUILDING CAN NOT BE CHANGED UNO.

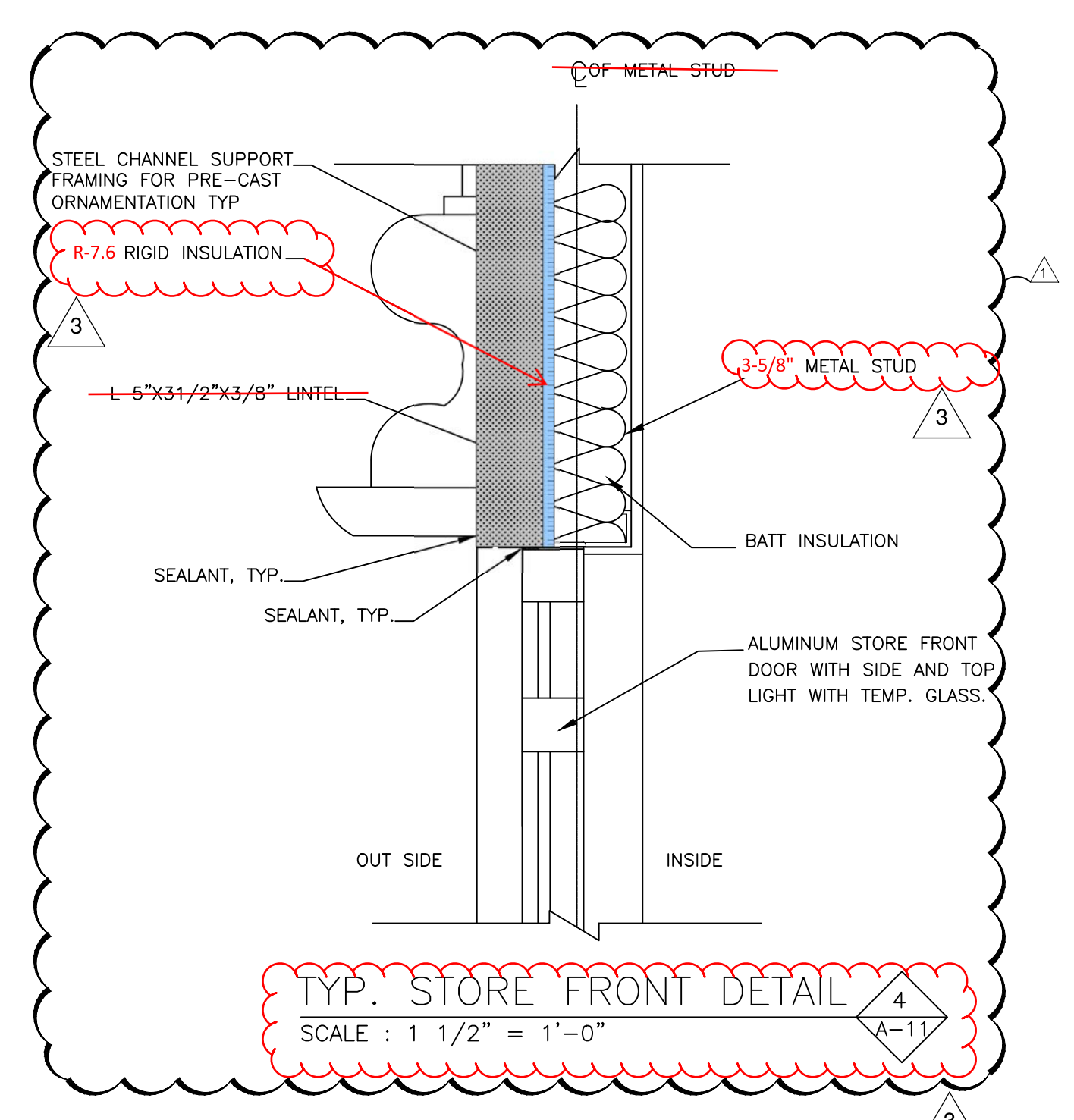


**PART SECTION**  
SCALE : 3/4" = 1' - 0"

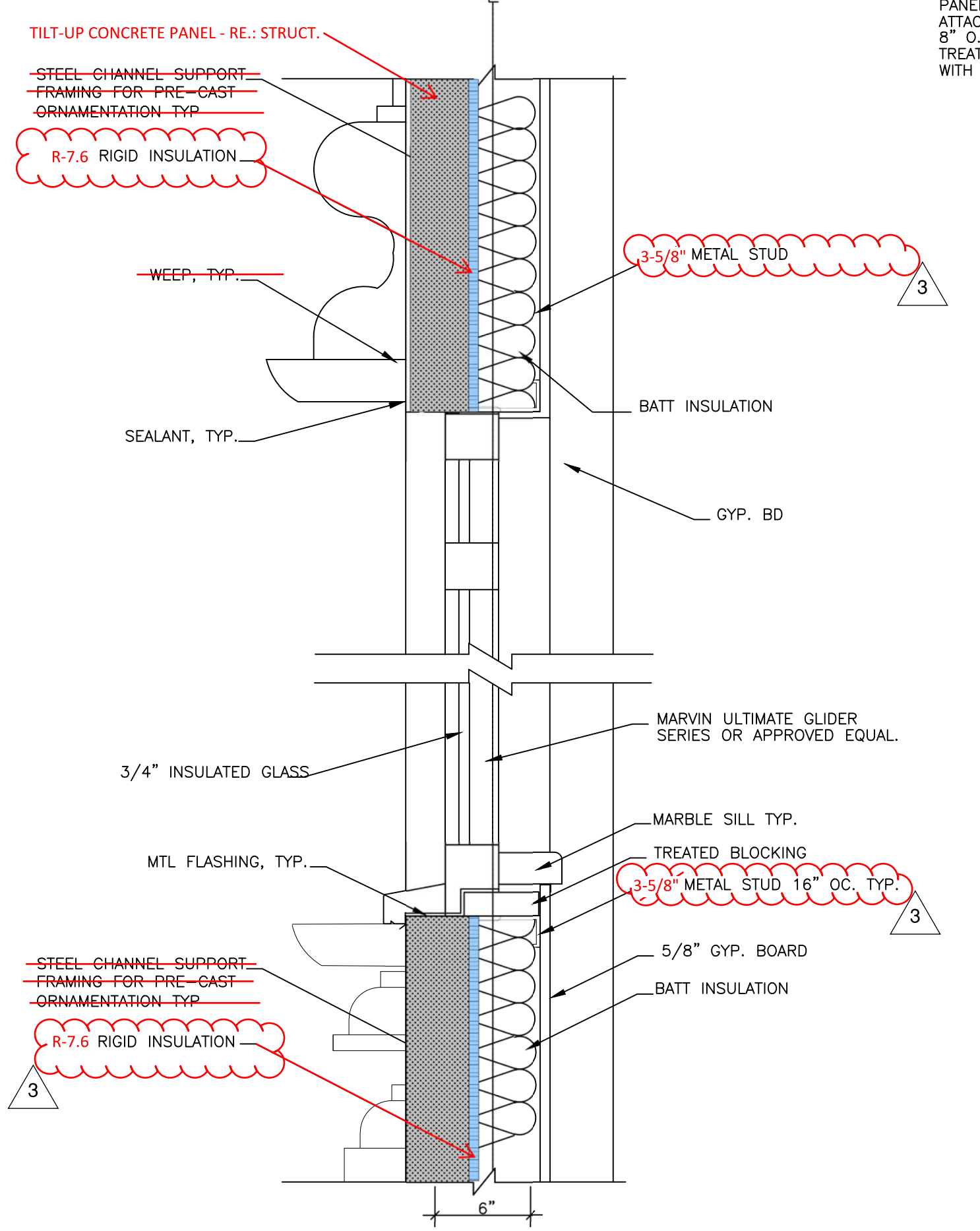


**WALL SECTION TYP.**  
SCALE : 3/4" = 1' - 0"

NOTE : ALL EXTERIOR WALL DIMENSIONS TO BE FROM CENTER LINE OF COLUMN U.N.O ADJUST ALL INTERIOR DIMENSIONS AS REQUIRED, EXTERIOR DIMENSIONS OF THE BUILDING FOOT PRINT CAN NOT BE CHANGED UNO. EXTERIOR FINISHES ON THE BUILDING HAVE BEEN REVISED.



**TYP. STORE FRONT DETAIL**  
SCALE : 1 1/2" = 1' - 0"

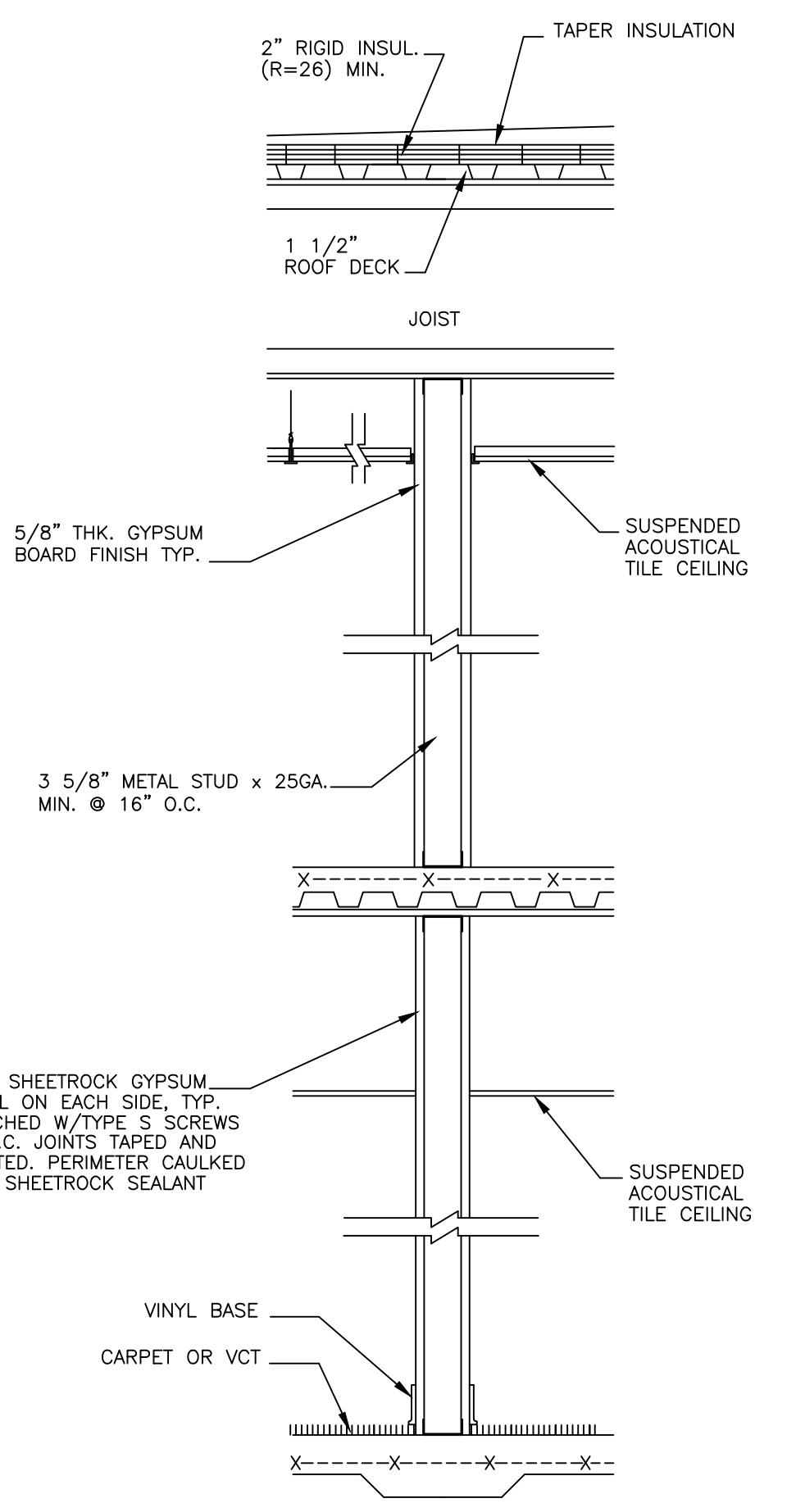


**TYP. WINDOW DETAIL**  
SCALE : 1 1/2" = 1' - 0"

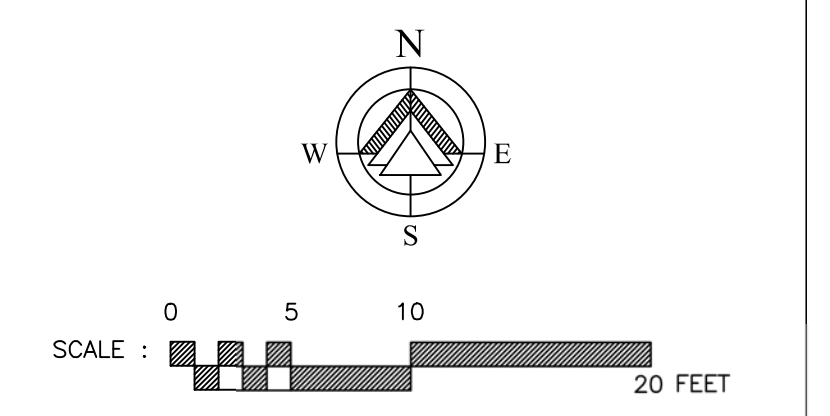
NOTE : CONTRACTOR TO INSTALL WINDOWS AS PER MFG. INSTALLATION GUIDE LINES.

NOTE: DIAGONAL METAL STUD SUPPORT 48" O.C. FOR ALL INTERIOR METAL STUD PARTITION AS REQUIRED. CONTRACTOR TO VERIFY ALL INTERIOR DIMENSIONS AND ADJUST AS REQUIRED, WHERE DIMENSIONS ARE NOT NOTED ANY DISCREPANCY OR INTERFERENCE SHOULD BE REPORTED TO THE ARCHITECT/ENGINEERS IN WRITING IMMEDIATELY.

NOTE: 2 HR. FIRE RATED UL APPROVED METAL STUD AND GYP WALL WITH FIRE STOPS AND SEALS.



**TYP. INT. METAL STUD PART.**  
SCALE : 1 1/2" = 1' - 0"



rev	3	REVISED EXTERIOR WALLS TO TILT-UP CONCRETE W/ CONT. R-7.6 RIGID INSULATION, RE. STRUCT.
rev	1	11-5-15 insulation and scupper added store front head detail
date		10-05-2015 released for const.
scale		AS NOTED
drawn by		CADD-SPA
<b>SHASHI D. PATEL AIA NCARB</b> ARCHITECTS AND PLANNERS 442 EAST END AVE. STE-B. PITTSBURGH PA 15221		
WALL SECTIONS - CEMENT PLASTER- OPTIONS		
CONSTRUCTION DOCUMENT PHASE		
<b>RADHA KRISHNA TEMPLE</b> ALLEN TEXAS		
dwg. no.	07162013	A-11