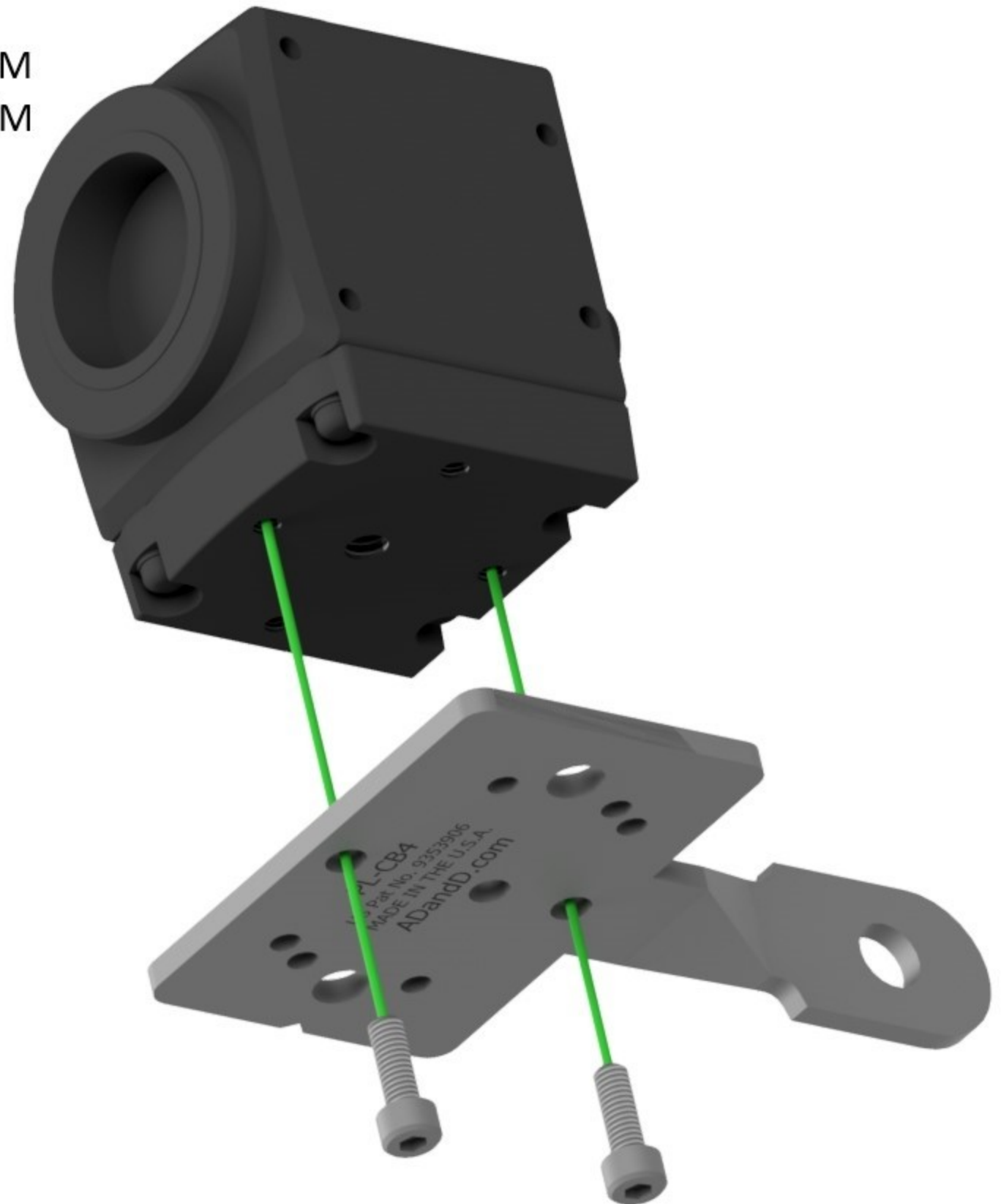


ADandD Pop-Link #PL-CB4

Mounting for Keyence CA-H2100 C/M

Mounting for Keyence XG-H2100 C/M



Included Hardware

(2) M4-.7 X 8mm Lg SHCS