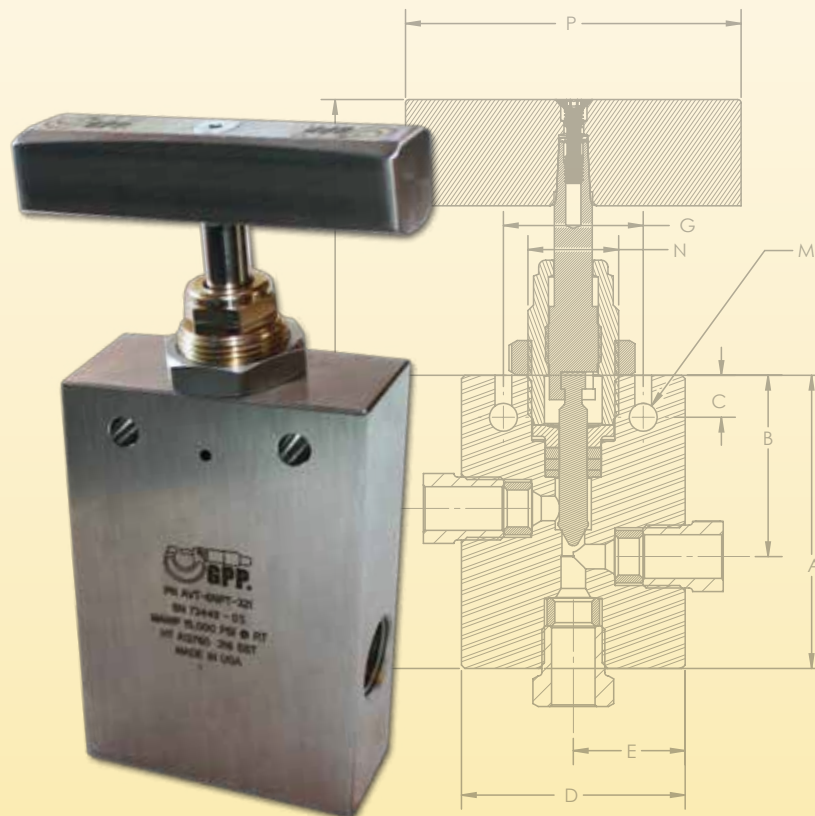


# AVT NPT VALVES

- 2-Way Angle Valve
- 2-Way Straight Valve
- 3-Way 1 On Pressure
- 3-Way 2 On Pressure
- Bi-directional V-stem
- Metering
- Regulating



*\*Dimensions are subject to change and are considered reference.*

# NPT HAND VALVE PART NUMBERING MATRIX



		CONNECTION VARIATIONS							
Assembly	VALVE TYPE	Size (inch)		Valve Type	Valve Stem	Actuator	Material		
A	VT 2 PC. STEM	4 NPT	1/4	2A	1	Blank	A4	304 ANN	
		6 NPT	3/8	2S	2	1	A6	316 ANN	
		8 NPT	1/2	31	3	2	C4	304 CW	
				32		3	Blank	316 CW	
						4	D4	17-4	
						5	D5	15-5	
						6	H	HASTELLOY	
						7	I	INCONEL	
						8			
						9			

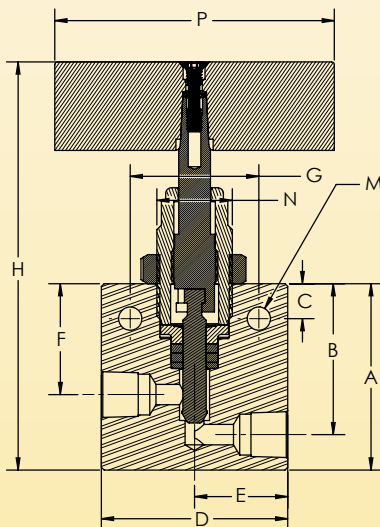
- 2A 2-Way Angle Valve
- 2S 2-Way Straight Valve
- 31 3-Way 1 On Pressure
- 32 3-Way 2 On Pressure

- 1 Bi-directional V-stem
- 2 Metering
- 3 Regulating

- 0 Standard Hand Valve
- 1 Air Actuated Valve Less Acuator
- 2 Normally Open Air to Close 5" (ATC)
- 3 Normally Closed Air to Open 5" (ATO)
- 4 Normally Open Air to Close 8" (ATC)
- 5 Normally Closed Air to Open 8" (ATO)
- 6\* Double Acting 5"
- 7\* Double Acting 8"
- 8\* 2x Double Acting
- 9\* Double Acting Hydraulic

\*Actuators 6, 7, 8 & 9 are custom designs to meet specific customer requirements.

## EXAMPLE



### Part Number AVT-6NPT-2S1:

#### **Assembly Valve**

**15,000 PSI, 3/8" NPT, 2-Way Straight, 2 Piece V-Stem  
Standard Handle**

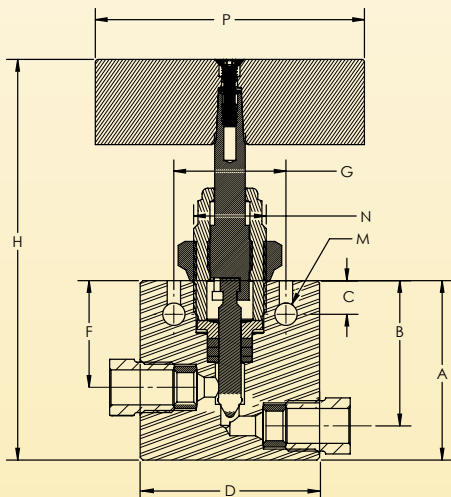
\*Dimensions are subject to change and are considered reference.

# NPT VALVES

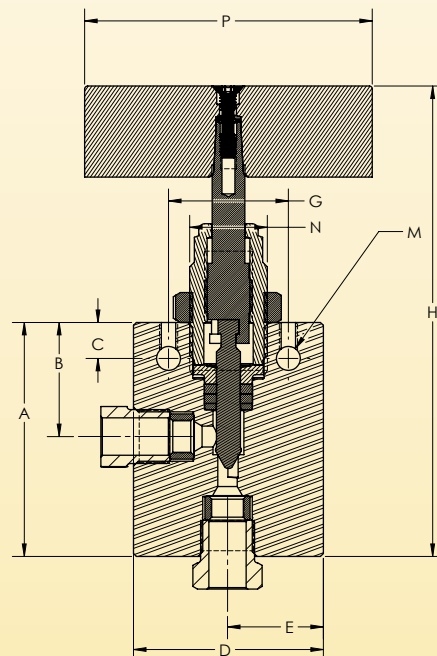
## 2-WAY STRAIGHT

## 2-WAY ANGLE

PART NUMBER	NOMINAL TUBING OD	PRESSURE RATING psi (bar)	MIN. OPENING	DIMENSIONS - INCHES (mm)											BLOCK THK.
				A	B	C	D	E	F	G	H	M	N	P	
<b>2-Way Straight</b>															
AVT-4NPT-2S1	1/4	15,000	0.200	2.00	1.62	0.38	2.00	1.00	1.19	1.38	4.50	0.25	0.810	3.00	1
	(6.35)	(1034.48)	(5.08)	(50.80)	(41.15)	(9.65)	(50.80)	(25.40)	(30.23)	(35.05)	(114.30)	(6.35)	(20.57)	(76.20)	(25.40)
AVT-6NPT-2S1	3/8	15,000	0.200	3.00	2.38	0.38	2.50	1.25	1.75	1.38	5.50	0.25	0.810	3.00	1
	(9.53)	(1034.48)	(5.08)	(76.20)	(60.45)	(9.65)	(63.50)	(31.75)	(44.45)	(35.05)	(139.70)	(6.35)	(20.57)	(76.20)	(25.40)
AVT-8NPT-2S1	1/2	15,000	0.200	3.00	2.38	0.38	2.50	1.25	1.75	1.38	5.40	0.25	0.810	3.00	1.25
	(12.7)	(1034.48)	(5.08)	(76.20)	(60.45)	(9.65)	(63.50)	(31.75)	(44.45)	(35.05)	(137.16)	(6.35)	(20.57)	(76.20)	(31.75)
<b>2-Way Angle</b>															
AVT-4NPT-2A1	1/4	15,000	0.200	2.44	1.19	0.38	2.00	1.00		1.38	4.90	0.25	0.810	3.00	1
	(6.35)	(1034.48)	(5.08)	(61.98)	(30.23)	(9.65)	(50.80)	(25.40)		(35.05)	(124.46)	(6.35)	(20.57)	(76.20)	(25.40)
AVT-6NPT-2A1	3/8	15,000	0.200	3.38	1.75	0.38	2.50	1.25		1.38	5.80	0.25	0.810	3.00	1
	(9.53)	(1034.48)	(5.08)	(85.85)	(44.45)	(9.65)	(63.50)	(31.75)		(35.05)	(147.32)	(6.35)	(20.57)	(76.20)	(25.40)
AVT-8NPT-2A1	1/2	15,000	0.200	3.80	1.75	0.38	2.50	1.25		1.38	5.80	0.25	0.810	3.00	1.25
	(12.7)	(1034.48)	(5.08)	(96.52)	(44.45)	(9.65)	(63.50)	(31.75)		(35.05)	(147.32)	(6.35)	(20.57)	(76.20)	(31.75)



**2-Way Straight**



**2-Way Angle**

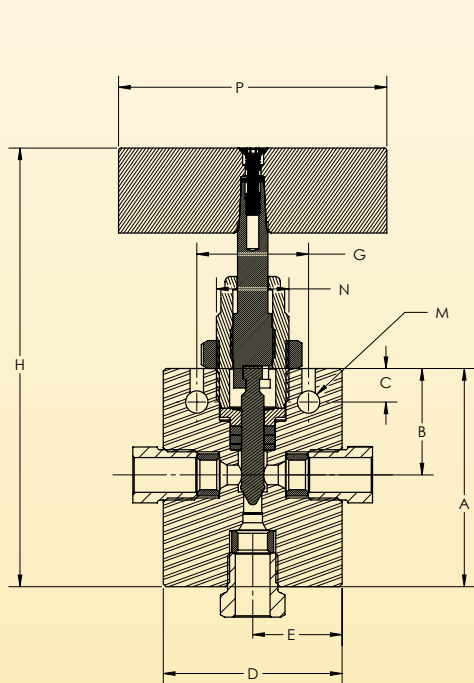
*\*Dimensions are subject to change and are considered reference.*

# NPT VALVES

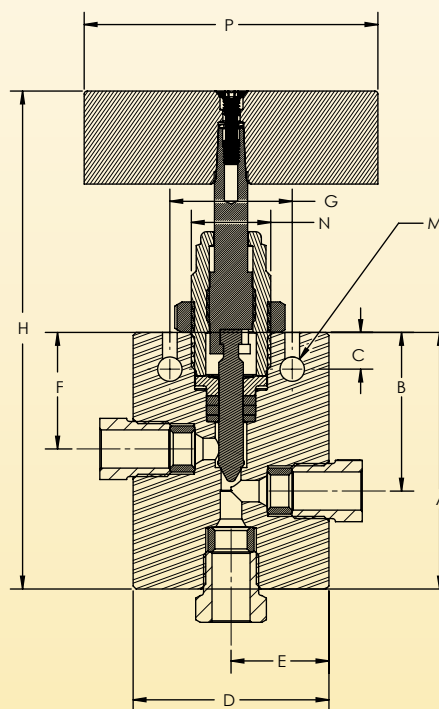
## 3-WAY/1 ON PRESSURE

## 3-WAY/2 ON PRESSURE

PART NUMBER	NOMINAL TUBING OD	PRESSURE RATING psi (bar)	MIN. OPENING	DIMENSIONS - INCHES (mm)											BLOCK THK.
				A	B	C	D	E	F	G	H	M	N	P	
<b>3-Way/1 on Pressure</b>															
AVT-4NPT-311	1/4	15,000	0.200	2.44	1.19	0.38	2.00	1.00		1.38	4.80	0.25	0.810	3.00	1
	(6.35)	(1034.48)	(5.08)	(61.98)	(30.23)	(9.65)	(50.80)	(25.40)		(35.05)	(121.92)	(6.35)	(20.57)	(76.20)	(25.40)
AVT-6NPT-311	3/8	15,000	0.200	3.38	1.75	0.38	2.50	1.25		1.38	5.80	0.25	0.810	3.00	1
	(9.53)	(1034.48)	(5.08)	(85.85)	(44.45)	(9.65)	(63.50)	(31.75)		(35.05)	(147.32)	(6.35)	(20.57)	(76.20)	(25.40)
AVT-8NPT-311	1/2	15,000	0.200	3.38	1.75	0.38	2.50	1.25		1.38	5.80	0.25	0.810	3.00	1.25
	(12.7)	(1034.48)	(5.08)	(85.85)	44.45	(9.65)	(63.50)	(31.75)		(35.05)	(147.32)	(6.35)	(20.57)	(76.20)	(31.75)
<b>3-Way/2 on Pressure</b>															
AVT-4NPT-321	1/4	15,000	0.200	2.62	1.62	0.38	2.00	1.00	1.19	1.38	5.00	0.25	0.810	3.00	1
	(6.35)	(1034.48)	(5.08)	(66.55)	(41.15)	(9.65)	(50.80)	(25.40)	(30.23)	(35.05)	(127.00)	(6.35)	(20.57)	(76.20)	(25.40)
AVT-6NPT-321	3/8	15,000	0.200	3.62	2.38	0.38	2.50	1.25	1.75	1.38	6.10	0.25	0.810	3.00	1
	(9.53)	(1034.48)	(5.08)	(91.95)	(60.45)	(9.65)	(63.50)	(31.75)	(44.45)	(35.05)	(154.94)	(6.35)	(20.57)	(76.20)	(25.40)
AVT-8NPT-321	1/2	15,000	0.200	3.62	2.38	0.38	2.50	1.25	1.75	1.38	6.10	0.25	0.810	3.00	1.25
	(12.7)	(1034.48)	(5.08)	(91.95)	(60.45)	(9.65)	(63.50)	(31.75)	(44.45)	(35.05)	(154.94)	(6.35)	(20.57)	(76.20)	(31.75)



**3-Way/1 on Pressure**



**3-Way/2 on Pressure**

*\*Dimensions are subject to change and are considered reference.*