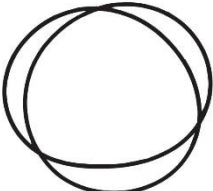
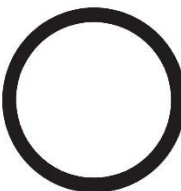
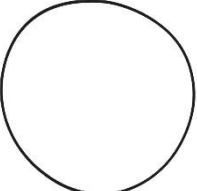
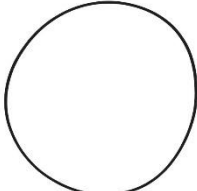

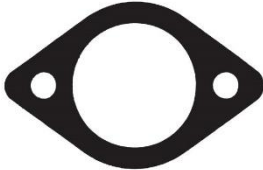

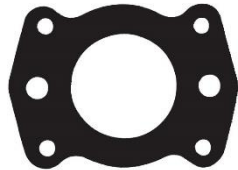



Seadoo 580 Pre 1992 SP/XP/GT Yellow Engine

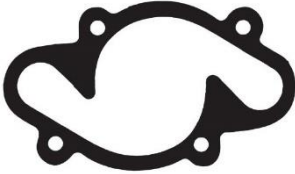
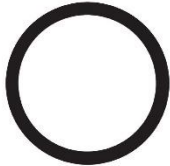

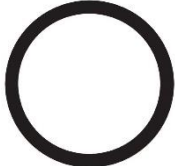
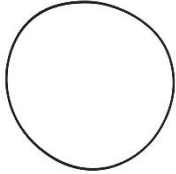
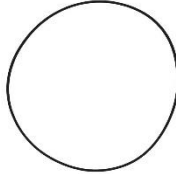
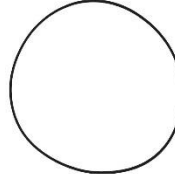
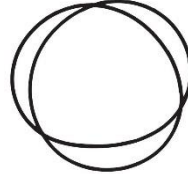




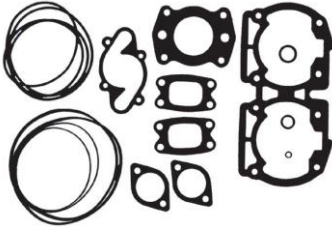
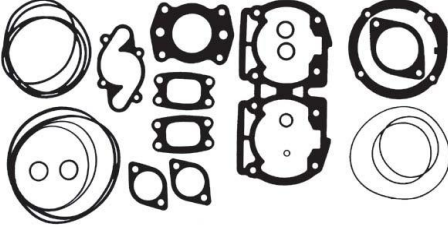
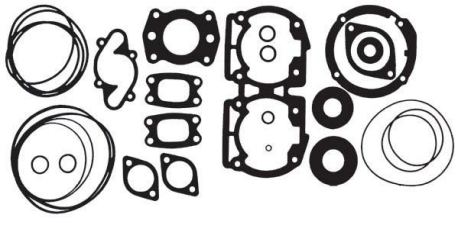
DESCRIPTION	OEM PART #	OURPART#
HEAD COVER O-RING *	290-950-050	6200
SPARK PLUG O-RING (2 REQ'D) *	290-430-782	6220
CYLINDER O-RING (2 REQ'D) *	290-850-540	6170
WATER JACKET O-RING (2 REQ'D) *	290-850-040	6230
BASE GASKET *	290-931-160	6000
CARB 38MM (2 REQ'D) *	290-842-040	6100
EXHAUST (2 REQ'D) *	290-850-630	6050
HEADPIPE *	290-950-250	6140
STARTER	290-830-905	6120
WATER DISTRIBUTOR	290-831-612	6110
WATER MANIFOLD O-RING (2 REQ'D) *	290-430-460	6240
FLYWHEEL HOUSING	290-850-600	6125
ROTARY VALVE SHAFT O-RING	290-831-500	6260
ROTARY VALVE COVER O-RING	290-831-360	6250
MANIFOLD O-RING (2 CARB)	290-831-705	6270
MANIFOLD O-RING (1 CARB)	290-850-160	6275
FLYWHEEL COVER O-RING	290-950-130	6280
SEALS		
OIL SEAL PTO	290-831-952	6330
FLYWHEEL OIL SEAL	290-830-749	6320
ROTARY VALVE OIL SEAL	290-930-580	6340
OIL SEAL KIT	ALL	6345K
KITS		
580 TOP KIT	ALL	6400K
580 COMPLETE KIT	ALL	6425K
580 COMPLETE KIT WITH SEALS	ALL	6427K

* DENOTES ITEM IS INCLUDED IN TOP KIT

No. 6200 OEM. 290-950-050	No. 6220 OEM. 290-430-782	No. 6170 OEM. 290-850-540	No. 6230 OEM. 290-850-040	No. 6000 OEM. 290-931-160
				
Head Cover O-Ring	Spark Plug O-Ring (2 Required)	Cylinder O-Ring (2 Required)	Water Jacket O-Ring (2 Required)	Base Gasket

No. 6100 OEM. 290-842-040	No. 6050 OEM. 290-850-630	No. 6140 OEM. 290-950-250	No. 6120 OEM. 290-830-905
			
Carb 38MM (2 Required)	Exhaust (2 Required)	Headpipe	Starter

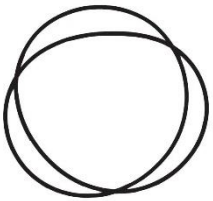
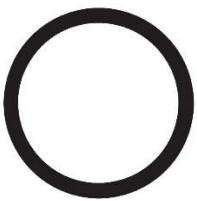
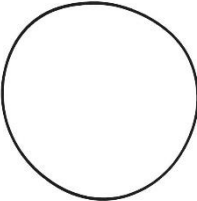
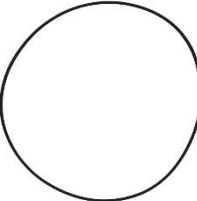

Seadoo 580 Pre 1992 SP/XP/GT Yellow Engine

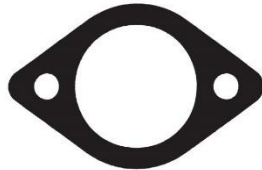
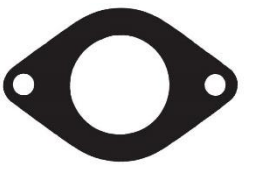


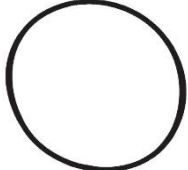
No. 6110 OEM. 290-831-612	No. 6240 OEM. 290-430-460	No. 6125 OEM. 290-850-600	No. 6260 OEM. 290-831-500
			
Water Distributor	Water Manifold O-Ring (2 Required)	Flywheel Housing	Rotary Valve Shaft O-Ring
No. 6250 OEM. 290-831-360	No. 6270 OEM. 290-831-705	No. 6275 OEM. 290-850-160	No. 6280 OEM. 290-950-130
			
Rotary Valve Cover O-Ring	Manifold O-Ring (2 Carb)	Manifold O-Ring (1 Carb)	Flywheel Cover O-Ring
No. 6330 OEM. 290-831-952	No. 6320 OEM. 290-830-749	No. 6340 OEM. 290-930-580	No. 6345K
			
Oil Seal PTO	Flywheel Oil Seal	Rotary Valve Oil Seal	Oil Seal Kit
No. 6400K	No. 6425K	No. 6427K	
			
580 Top Kit	580 Complete Kit	580 Complete Kit W/ Seals	

Seadoo 580 1992+ SP/SPI/XP/GTS White Engine


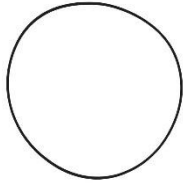
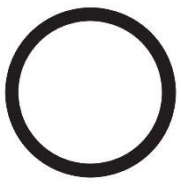
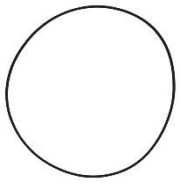
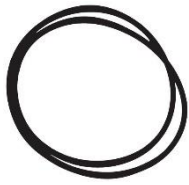
DESCRIPTION	OEM PART #	OURPART#
HEAD COVER O-RING *	290-950-360	6205
SPARK PLUG O-RING (2 REQ'D) *	290-430-782	6220
CYLINDER O-RING (2 REQ'D) *	293-300-026	6170
WATER JACKET O-RING (2 REQ'D) *	290-850-040	6230
BASE *	290-931-161	6020
CARB 38MM (2 REQ'D) *	290-850-373	6100
CARB 39MM (2 REQ'D) *	270-000-114	6105
EXHAUST (2 REQ'D) *	290-850-635	6060
HEADPIPE *	290-950-251	6150
STARTER O-RING	278-000-694	6152
FLYWHEEL HOUSING	290-850-605	6130
ROTARY VALVE COVER O-RING	293-300-023	6250
ROTARY VALVE SHAFT O-RING	293-300-024	6260
MANIFOLD O-RING (2 CARB)	290-831-705	6270
FLYWHEEL COVER O-RING	290-831-555	6278
SEALS		
OIL SEAL PTO	290-831-952	6330
FLYWHEEL OIL SEAL	290-830-749	6320
ROTARY VALVE OIL SEAL	290-930-580	6340
CRANK SEAL KIT	ALL	6345K
KITS		
580 TOP KIT	ALL	6440K
580 COMPLETE KIT	ALL	6465K
580 COMPLETE KIT WITH SEALS	ALL	6470K

* DENOTES ITEM IS INCLUDED IN TOP KIT

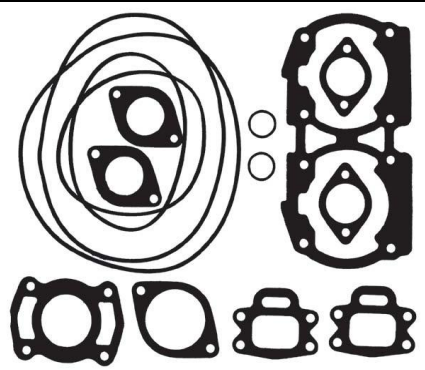
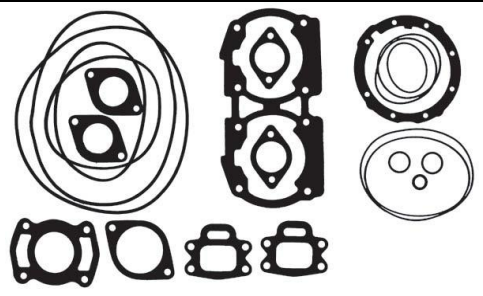
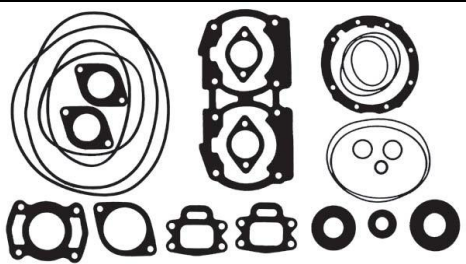
No. 6205 OEM. 290-950-360	No. 6220 OEM. 290-430-782	No. 6170 OEM. 290-850-540	No. 6230 OEM. 290-850-040	No. 6020 OEM. 290-931-160
				
Head Cover O-Ring	Spark Plug O-Ring (2 Required)	Cylinder O-Ring (2 Required)	Water Jacket O-Ring (2 Required)	Base Gasket

No. 6100 OEM. 290-842-040	No. 6105 OEM. 270-000-114	No. 6060 OEM. 290-850-635	No. 6150 OEM. 290-950-251	No. 6152 OEM. 278-000-694
				
Carb 38MM (2 Required)	Carb 39MM (2 Required)	Exhaust (2 Required)	Headpipe	Starter O-Ring

Seadoo 580 1992+ SP/SPI/XP/GTS White Engine

No. 6130 OEM. 290-850-605	No. 6250 OEM. 293-300-023	No. 6260 OEM. 293-300-024	No. 6270 OEM. 290-831-705	No. 6278 OEM. 290-831-555
				
Flywheel Housing	Rotary Valve Cover O-Ring	Rotary Valve Shaft O-Ring	Manifold O-Ring (2 Carb)	Flywheel Cover O-Ring

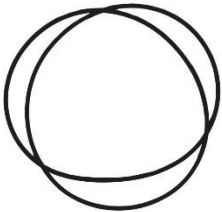
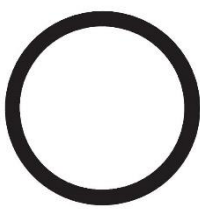
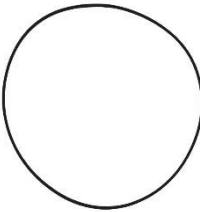
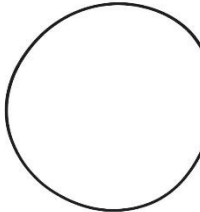

No. 6330 OEM. 290-831-952	No. 6320 OEM. 290-830-749	No. 6340 OEM. 290-930-580	No. 6345K
			
Oil Seal PTO	Flywheel Oil Seal	Rotary Valve Oil Seal	Oil Seal Kit

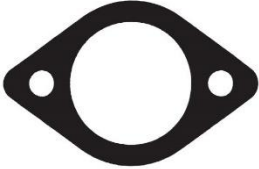


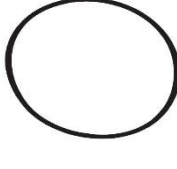

No. 6440K	No. 6465K	No. 6470K
		
580 Top Kit	580 Complete Kit	580 Complete Kit W/ Seals

Seadoo 650 GTX/XP/XPI/ SPX

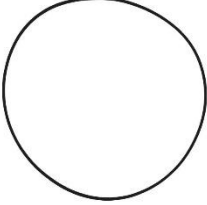
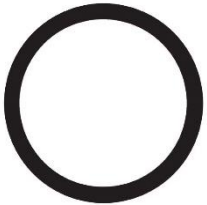
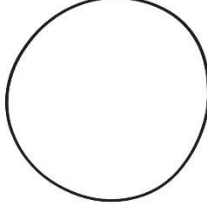
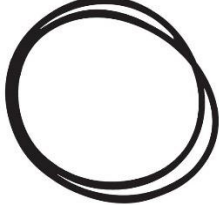
DESCRIPTION	OEM PART #	OURPART#
HEAD COVER O-RING *	290-950-320	6210
SPARK PLUG O-RING (2 REQ'D) *	290-430-782	6220
CYLINDER O-RING (2 REQ'D) *	290-931-220	6180
WATER JACKET O-RING (2 REQ'D) *	290-850-045	6235
BASE (4 HOLE 0.16)	290-931-161	6020.016
BASE (5 HOLE 0.20) *	290-931-161	6020.020
BASE (6 HOLE 0.24)	290-931-161	6020.024
BASE (8 HOLE 0.30)	290-931-161	6020.032
CARB 38MM (2 REQ'D) *	290-850-373	6100
EXHAUST (2 REQ'D) *	290-850-637	6080
HEADPIPE *	290-950-251	6150
STARTER O-RING	278-000-694	6152
FLYWHEEL HOUSING	290-850-605	6130
ROTARY VALVE COVER O-RING	293-300-023	6250
ROTARY VALVE O-RING	293-300-024	6260
MANIFOLD O-RING	290-831-705	6270
FLYWHEEL COVER O-RING	290-831-555	6278
SEALS		
FLYWHEEL OIL SEAL	290-830-749	6320
OIL SEAL PTO	290-831-952	6330
ROTARY VALVE OIL SEAL	290-930-580	6340
CRANK SEAL KIT	ALL	6345K
KITS		
650 TOP KIT	ALL	6480K
650 COMPLETE KIT	ALL	6500K
650 COMPLETE KIT WITH SEALS	ALL	6505K

* DENOTES ITEM IS INCLUDED IN TOP KIT

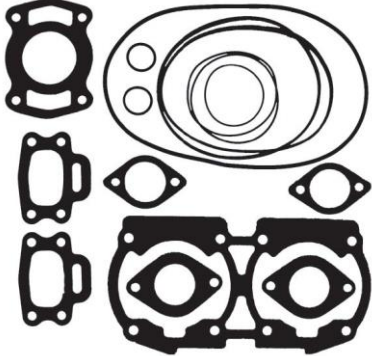
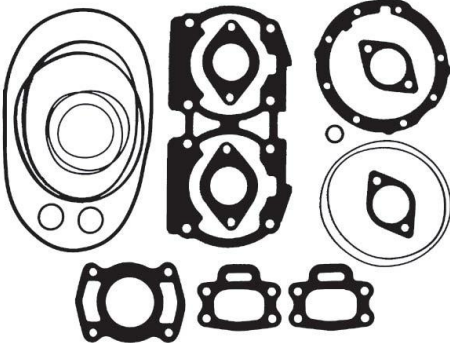
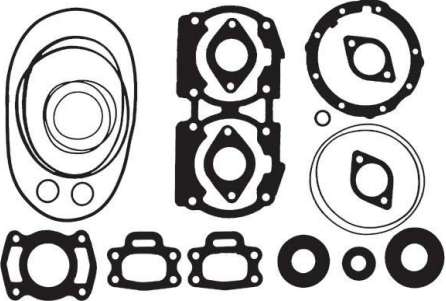
No. 6210 OEM. 290-950-320	No. 6220 OEM. 290-430-782	No. 6180 OEM. 290-931-220	No. 6235 OEM. 290-850-045	No. 6020.3-6020.8 OEM. 290-931-161
				
Head Cover O-Ring	Spark Plug O-Ring (2 Required)	Cylinder O-Ring (2 Required)	Water Jacket O-Ring (2 Required)	Base Gasket (3-8 Hole)

No. 6100 OEM. 290-850-373	No. 6080 OEM. 290-850-637	No. 6150 OEM. 290-950-251	No. 6152 OEM. 278-000-694	No. 6130 OEM. 290-850-605
				
Carb 38MM (2 Required)	Exhaust (2 Required)	Headpipe	Starter O-Ring	Flywheel Housing

Seadoo 650 GTX/XP/XPI/SPX

No. 6250 OEM. 290-300-023	No. 6260 OEM. 293-300-024	No. 6270 OEM. 290-831-705	No. 6278 OEM. 290-831-555
			
Rotary Valve Cover O-Ring	Rotary Valve O-Ring	Manifold O-Ring	Flywheel Cover O-Ring

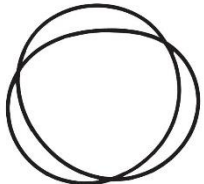

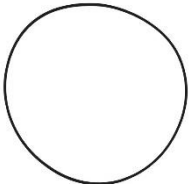
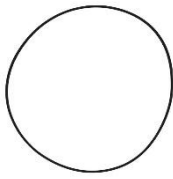
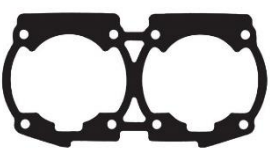
No. 6330 OEM. 290-831-952	No. 6320 OEM. 290-830-749	No. 6340 OEM. 290-930-580	No. 6345K
			
Oil Seal PTO	Flywheel Oil Seal	Rotary Valve Oil Seal	Oil Seal Kit

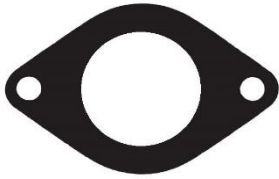
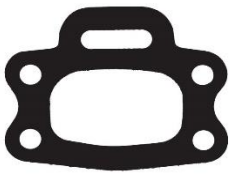

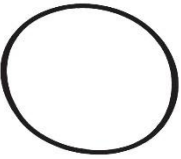
No. 6480K	No. 6500K	No. 6505K
		
650 Top Kit	650 Complete Kit	650 Complete Kit W/ Seals

Seadoo 720 SPX/GTI/HX/GTS/GS


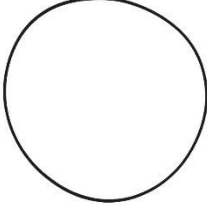
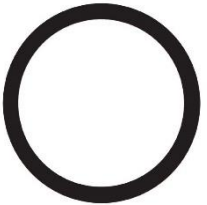
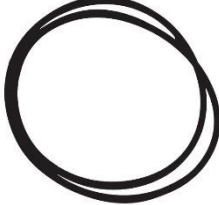
DESCRIPTION	OEM PART #	OURPART#
HEAD COVER O-RING *	290-950-360	6205
SPARK PLUG O-RING (2 REQ'D) *	290-430-782	6220
CYLINDER O-RING (2 REQ'D) *	290-931-410	6185
WATER JACKET O-RING (2 REQ'D) *	290-850-045	6235
BASE (4 HOLE 0.16)	290-931-400	6025.016
BASE (5 HOLE 0.20) *	290-931-400	6025.020
BASE (6 HOLE 0.24)	290-931-400	6025.024
BASE (8 HOLE 0.30)	290-931-400	6025.030
CARB 41MM (2 REQ'D) *	293-250-042	6107
EXHAUST (2 REQ'D) *	290-850-637	6080
HEADPIPE *	290-950-251	6150
STARTER O-RING	278-000-694	6152
FLYWHEEL HOUSING	290-850-605	6130
ROTARY VALVE COVER O-RING	293-300-023	6250
ROTARY VALVE SHAFT O-RING	293-300-024	6260
FLYWHEEL COVER O-RING	290-831-555	6278
SEALS		
FLYWHEEL OIL SEAL	290-830-749	6320
PTO OIL SEAL	290-831-952	6330
ROTARY VALVE OIL SEAL	290-930-580	6340
CENTER CRANK OIL SEAL	420-831-990	6347
CENTER CRANK OIL SEAL	420-831-355	6348
CRANK SEAL KIT		6345K
KITS		
720 TOP KIT	ALL	6600K
720 COMPLETE KIT	ALL	6610K
720 COMPLETE KIT WITH SEALS	ALL	6615K

* DENOTES ITEM IS INCLUDED IN TOP KIT

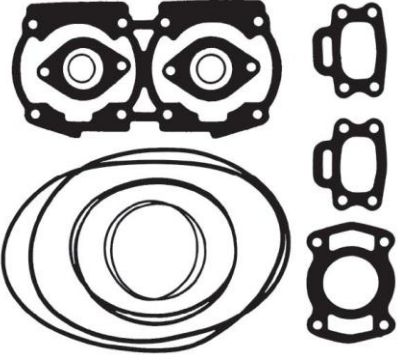
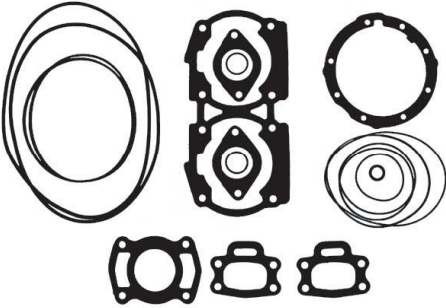
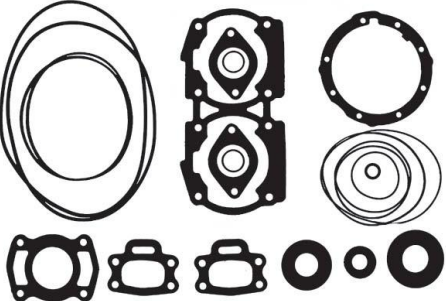
No. 6205 OEM. 290-950-360	No. 6220 OEM. 290-430-782	No. 6185 OEM. 290-931-410	No. 6235 OEM. 290-850-045	No. 6025.4-6025.8 OEM. 290-931-400
				
Head Cover O-Ring	Spark Plug O-Ring (2 Required)	Cylinder O-Ring (2 Required)	Water Jacket O-Ring (2 Required)	Base Gasket (4-8 Hole)

No. 6107 OEM. 293-250-042	No. 6080 OEM. 290-850-637	No. 6150 OEM. 290-950-251	No. 6152 OEM. 278-000-694
			
Carb 41MM (2 Required)	Exhaust (2 Required)	Headpipe	Starter O-Ring

Seadoo 720 SPX/GTI/HX/GTS/GS

No. 6130 OEM. 290-850-605	No. 6250 OEM. 290-300-023	No. 6260 OEM. 293-300-024	No. 6278 OEM. 290-831-555
			
Flywheel Housing	Rotary Valve Cover O-Ring	Rotary Valve O-Ring	Flywheel Cover O-Ring

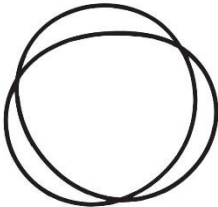
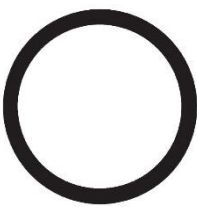
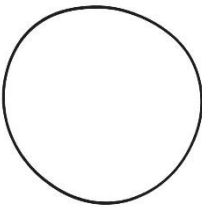
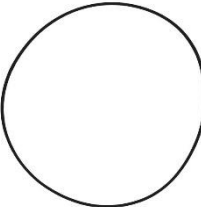
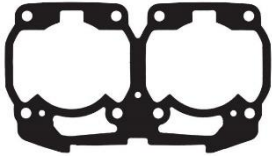
No. 6320 OEM. 290-830-749	No. 6330 OEM. 290-831-952	No. 6340 OEM. 290-930-580	No. 6345K	No. 6347 OEM. 420-831-990	No. 6348 OEM. 420-831-355
					
Flywheel Oil Seal	Oil Seal PTO	Rotary Valve Oil Seal	Oil Seal Kit	Center Crank Oil Seal	Center Crank Oil Seal

No. 6600K	No. 6610K	No. 6615K
		
720 Top Kit	720 Complete Kit	720 Complete Kit W/ Seals



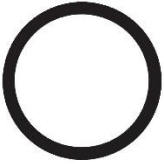

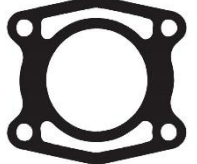
Seadoo 785 / 800 XP/GSX/GTX/ SPX

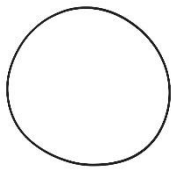
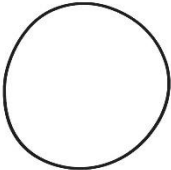
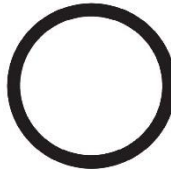
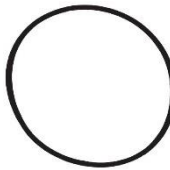
DESCRIPTION	OEM PART #	OURPART#
HEAD COVER O-RING *	290-831-550	6612
SPARK PLUG O-RING (2 REQ'D) *	290-430-782	6220
CYLINDER O-RING (2 REQ'D) *	290-931-410	6185
WATER JACKET O-RING (2 REQ'D) *	290-931-420	6614
BASE (4 HOLE 0.16)	290-931-460	6035.016
BASE (5 HOLE 0.20) *	290-931-460	6035.020
BASE (6 HOLE 0.24)	290-931-460	6035.024
BASE (8 HOLE 0.30)	290-931-460	6035.030
CARB 41MM (2 REQ'D) *	293-250-042	6107
POWER VALVE GASKET (2 REQ'D)	290-931-540	6618
POWER VALVE O-RING (2 REQ'D)	290-430-110	6622
EXHAUST *	290-931-480	6082
HEADPIPE *	290-931-500	6155
BALANCE SHAFT O-RING	290-230-300	6624
MANIFOLD O-RING	290-831-765	6628
ROTARY VALVE SHAFT O-RING	293-300-024	6260
STARTER O-RING	278-000-694	6152
FLYWHEEL HOUSING GASKET	290-931-470	6045
FLYWHEEL COVER O-RING	290-950-360	6632
OIL PUMP O-RING	293-300-018	6255
SEALS		
PTO O-RING	290-430-782	6220
PTO SEAL	290-830-638	6325
CRANK SEAL FLYWHEEL	290-830-749	6320
ROTARY VALVE SHAFT SEAL	290-930-580	6340
BALANCE SHAFT SEAL	290-930-390	6626
CENTER CRANK SEAL		6328
CRANK SEAL KIT		6350K
KITS		
785/800 TOP KIT	ALL	6620K
785/800 COMPLETE KIT	ALL	6640K
785/800 COMPLETE KIT WITH SEALS	ALL	6645K


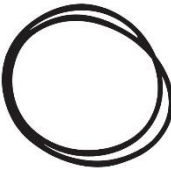

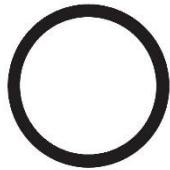
* DENOTES ITEM IS INCLUDED IN TOP KIT

No. 6612 OEM. 290-831-550	No. 6220 OEM. 290-430-782	No. 6185 OEM. 290-931-410	No. 6614 OEM. 290-931-420	No. 6035.4-6035.8 OEM. 290-931-460
				
Head Cover O-Ring	Spark Plug O-Ring (2 Required)	Cylinder O-Ring (2 Required)	Water Jacket O-Ring (2 Required)	Base Gasket (4-8 Hole)

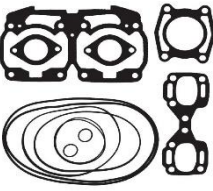
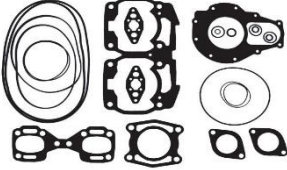
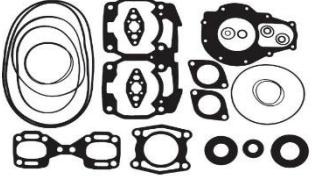
Seadoo 785 / 800 XP/GSX/GTX/SPX

No. 6107 OEM. 293-250-042	No. 6618 OEM. 290-931-540	No. 6622 OEM. 290-430-110	No. 6082 OEM. 290-931-480	No. 6155 OEM. 290-931-500
				
Carb 41MM (2 Required)	Power Valve Gasket (2 Required)	Power Valve O-Ring (2 Required)	Exhaust	Headpipe

No. 6624 OEM. 290-230-300	No. 6628 OEM. 290-831-765	No. 6260 OEM. 293-300-024	No. 6152 OEM. 278-000-694
			
Balance Shaft O-Ring	Manifold O-Ring	Rotary Valve Shaft O-Ring	Starter O-Ring

No. 6045 OEM. 290-931-470	No. 6632 OEM. 290-950-360	No. 6255 OEM. 293-300-018	No. 6220 OEM. 290-430-782
			
Flywheel Housing Gasket	Flywheel Cover O-Ring	Oil Pump O-Ring	PTO O-Ring

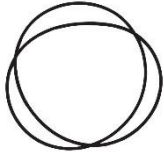

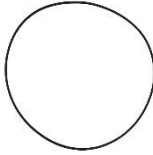
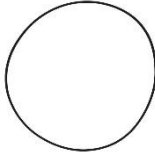
No. 6325 OEM. 290-830-638	No. 6320 OEM. 290-830-749	No. 6340 OEM. 290-930-580	No. 6626 OEM. 290-930-390	No. 6328	No. 6350K
					
PTO Seal	Crank Seal Flywheel	Rotary Valve Shaft Seal	Balance Shaft Seal	Center Crank Seal	Crank Seal Kit

No. 6620K	No. 6640K	No. 6645K
		
785 / 800 Top Kit	785 / 800 Complete Kit	785 / 800 Comp. Kit W/ Seals

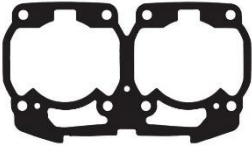

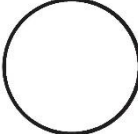

Seadoo 800 RFI

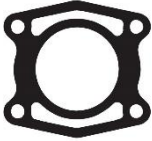
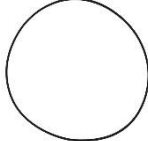
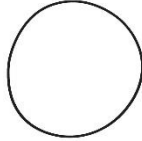

DESCRIPTION	OEM PART #	OURPART#
HEAD COVER O-RING *	420-831-550	6612
SPARK PLUG O-RING (2 REQ'D) *	420-430-782	6220
CYLINDER O-RING (2 REQ'D) *	420-931-410	6185
WATER JACKET O-RING (2 REQ'D) *	420-931-420	6614
BASE (4 HOLE 0.16) *	420-931-728	6035.016
BASE (6 HOLE 0.24) *	420-931-728	6035.024
POWER VALVE O-RING (2 REQ'D)	290-931-765	6622
POWER VALVE HOUSING O-RING (2 REQ'D)	290-931-670	6750
EXHAUST *	290-931-481	6082
HEADPIPE *	420-931-503	6155
BALANCE SHAFT O-RING	290-230-300	6624
MANIFOLD O-RING	290-831-767	6628
ROTARY VALVE SHAFT O-RING	293-300-024	6260
STARTER O-RING	278-000-694	6152
FLYWHEEL HOUSING GASKET	290-931-470	6045
FLYWHEEL COVER O-RING	290-950-360	6632
OIL PUMP O-RING	293-300-018	6255
CASE PLUG O-RING	290-250-890	6650
RECTIFIER COVER O-RING	420-850-390	6784
BEARING COVER O-RING	420-230-300	6624
SUMP COVER O-RING	420-950-360	6205
SEALS		
PTO O-RING	420-430-782	6220
PTO SEAL	290-830-638	6325
CRANK SEAL FLYWHEEL	290-830-749	6320
ROTARY VALVE SHAFT SEAL	290-930-580	6340
BALANCE SHAFT SEAL	290-930-390	6626
CENTER CRANK SEAL		6328
CRANK SEAL KIT		6350K
KITS		
800 DI TOP KIT	ALL	6855K
800 DI COMPLETE KIT	ALL	6860K
800 DI COMPLETE KIT WITH SEALS	ALL	6864K

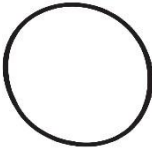

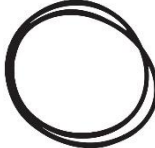

* DENOTES ITEM IS INCLUDED IN TOP KIT


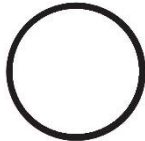
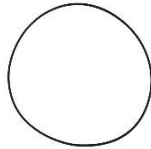
No. 6612 OEM. 420-831-550	No. 6220 OEM. 420-430-782	No. 6185 OEM. 420-931-410	No. 6614 OEM. 420-931-420
			
Head Cover O-Ring	Spark Plug O-Ring (2 Required)	Cylinder O-Ring (2 Required)	Water Jacket O-Ring (2 Required)

Seadoo 800 RFI

No. 6035.3-6035.6 OEM. 420-931-728	No. 6622 OEM. 290-931-765	No. 6750 OEM. 290-931-670	No. 6082 OEM. 290-931-480
			
Base (3-6 Hole)	Power Valve O-Ring (2 Required)	Power Valve Housing O-Ring (2 Required)	Exhaust

No. 6155 OEM. 420-931-503	No. 6624 OEM. 290-230-300	No. 6628 OEM. 290-831-767	No. 6260 OEM. 293-300-024
			
Headpipe	Balance Shaft O-Ring	Manifold O-Ring	Rotary Valve Shaft O-Ring

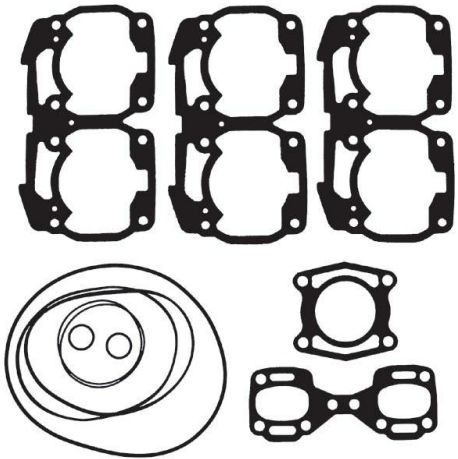
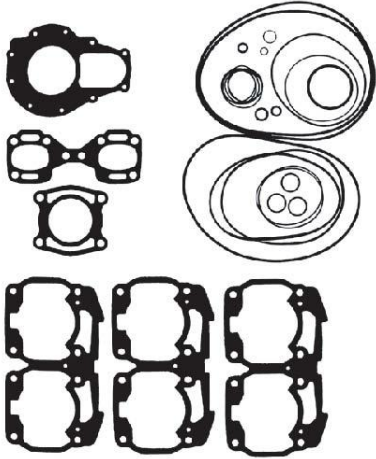
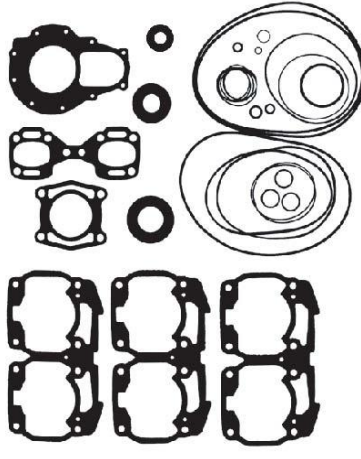
No. 6152 OEM. 278-000-694	No. 6045 OEM. 290-931-470	No. 6632 OEM. 290-950-360	No. 6255 OEM. 293-300-018
			
Starter O-Ring	Flywheel Housing Gasket	Flywheel Cover O-Ring	Oil Pump O-Ring

No. 6650 OEM. 290-250-890	No. 6784 OEM. 420-850-390	No. 6624 OEM. 420-230-300
		
Case Plug O-Ring	Rectifier Cover O-Ring	Bearing Cover O-Ring

No. 6205 OEM. 420-950-360	No. 6220 OEM. 420-430-782	No. 6325 OEM. 290-830-638	No. 6320 OEM. 290-830-749
			
Sump Cover O-Ring	PTO O-Ring	PTO Seal	Crank Seal Flywheel

Seadoo 800 RFI

No. 6340 OEM. 290-930-580	No. 6626 OEM. 290-930-390	No. 6350K	No. 6328
			
Rotary Valve Shaft Seal	Balance Shaft Seal	Crank Seal Kit	Center Crank Seal



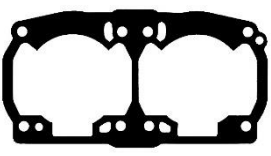
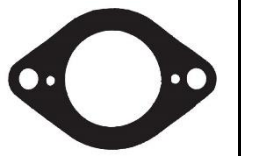
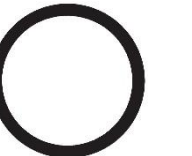
No. 6855K	No. 6860K	No. 6864K
		
800 DI Top Kit	800 DI Complete Kit	800 DI Complete Kit W/ Seals



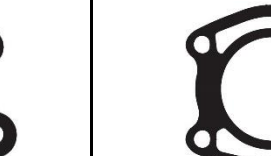
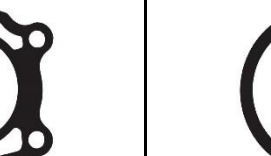
Seadoo 951 1997 Only White Motor

DESCRIPTION	OEM PART #	OURPART#
HEAD *	290-931-700	6700
HEAD 91.25 MM BORE	NOE **	6700BB
BASE (4 HOLE 0.16) *	290-931-681	6730.016
BASE (6 HOLE 0.24) *	290-931-682	6730.024
CARB 50MM (2 REQ'D) *	270-500-384	6740
POWER VALVE O-RING (2 REQ'D) *	290-430-110	6622
POWER VALVE HOUSING O-RING (2 REQ'D)	290-931-670	6750
EXHAUST (2 REQ'D) *	293-250-081	6760
HEADPIPE *	290-931-487	6770
STUD O-RING (8 REQ'D)	290-850-460	6780
BALANCE SHAFT O-RING	290-230-300	6624
STARTER O-RING	278-001-159	6790
FLYWHEEL COVER O-RING	290-931-690	6795
OIL PUMP O-RING	293-300-018	6255
SEALS		
OIL SEAL (2 REQ'D)	290-931-730	6810
OIL SEAL KIT		6815K
CENTER OIL SEAL		6812
CENTER OIL SEAL (LARGE INSIDE DIAMETER)		6814
KITS		
951 TOP KIT	ALL	6825K
951 COMPLETE KIT	ALL	6830K
951 COMPLETE KIT WITH SEALS	ALL	6835K

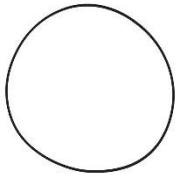
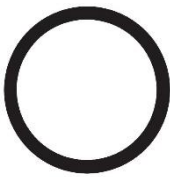
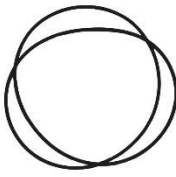

* DENOTES ITEM IS INCLUDED IN TOP KIT

** NOT ORIGINAL EQUIPMENT

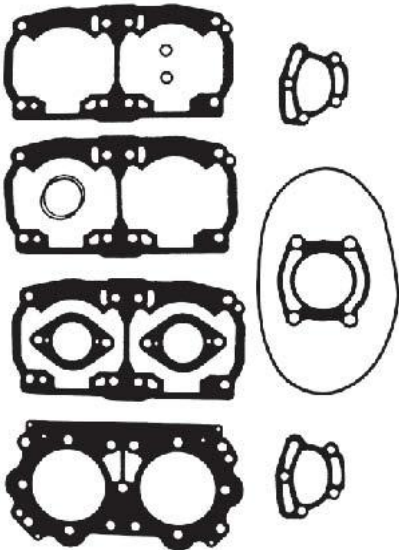
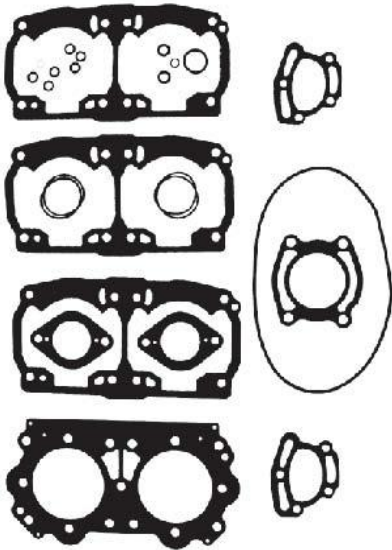
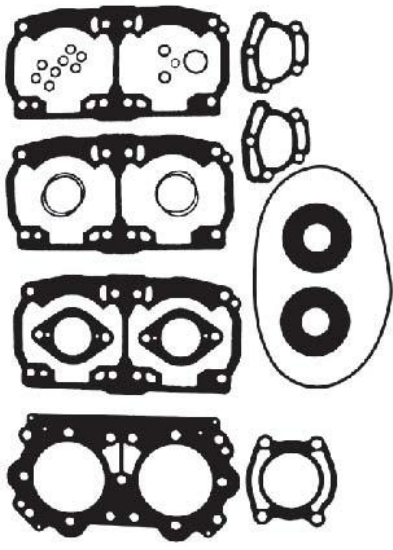
No. 6700 OEM. 290-931-700	No. 6700BB NOE	No. 6730.3-6 OEM. 290-931-68X (0,1,2)	No. 6740 OEM. 270-500-384	No. 6622 OEM. 290-430-110
				
Head Gasket	Big Bore Head Gasket	Base Gasket (3, 4, 6 Hole)	Carb 50MM (2 Required)	Power Valve O-Ring (2 Required)

No. 6750 OEM. 290-931-670	No. 6760 OEM. 293-250-081	No. 6770 OEM. 290-931-487	No. 6780 OEM. 290-850-460
			
Power Valve Housing O-Ring (2 Required)	Exhaust (2 Required)	Headpipe	Stud O-Ring (8 Required)

Seadoo 951 1997 Only White Motor

No. 6624 OEM. 290-230-300	No. 6790 OEM. 278-001-159	No. 6795 OEM. 290-931-690	No. 6255 OEM. 293-300-018
			
Balance Shaft O-Ring	Starter O-Ring	Flywheel Cover O-Ring	Oil Pump O-Ring

No. 6810 OEM. 290-931-730	No. 6815K	No. 6812	No. 6814
			
Oil Seal (2 Required)	Oil Seal Kit	Center Oil Seal	Center Oil Seal (Large Inside Diameter)



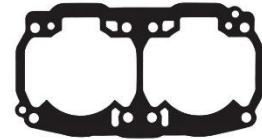

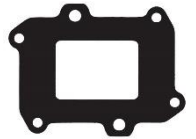
No. 6825K	No. 6830K	No. 6835K
		
951 Top Kit	951 Complete Kit	951 Complete Kit W/ Seals

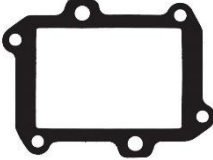
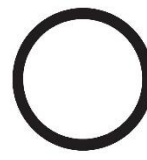
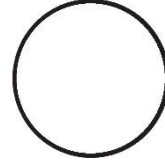


Seadoo 951 1998+ Silver Motor

DESCRIPTION	OEM PART #	OURPART#
HEAD *	290-931-702	6700
HEAD 91.25 MM BORE	NOE **	6700BB
BASE (5 HOLE 0.20) *	290-931-685.5	6732.020
BASE (6 HOLE 0.24) *	290-931-686.6	6732.024
BASE (8 HOLE 0.32) *	290-931-686.8	6732.032
CARB 50MM (2 REQ'D) *	293-250-076	6740
REED (NOT REQ'D WITH STOCK REEDS)	NOE **	6745
AFTERMARKET REED (S/A 6747)	NOE **	6755
POWER VALVE O-RING (2 REQ'D) *	290-931-765	6622
POWER VALVE HOUSING O-RING (2 REQ'D) *	290-931-670	6750
EXHAUST (2 REQ'D) *	293-250-081	6760
HEADPIPE *	290-250-080	6775
STUD O-RING (8 REQ'D)	290-850-460	6780
BALANCE SHAFT O-RING	290-230-300	6624
STARTER O-RING	278-001-159	6790
FLYWHEEL COVER O-RING	290-931-690	6795
OIL PUMP O-RING	293-300-018	6255
SEALS		
OIL SEAL (2 REQ'D) (S/A 4125)	290-931-731	6810
OIL SEAL KIT		6815K
CENTER OIL SEAL		6812
CENTER OIL SEAL (LARGE INSIDE DIAMETER)		6814
KITS		
951 TOP KIT	ALL	6840K
951 COMPLETE KIT	ALL	6842K
951 COMPLETE KIT WITH SEALS	ALL	6844K

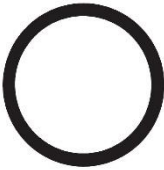
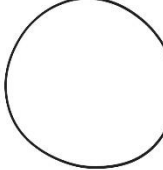
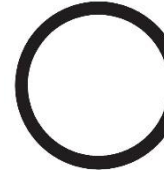
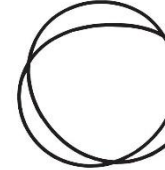
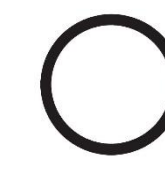
* DENOTES ITEM IS INCLUDED IN TOP KIT

** NOT ORIGINAL EQUIPMENT

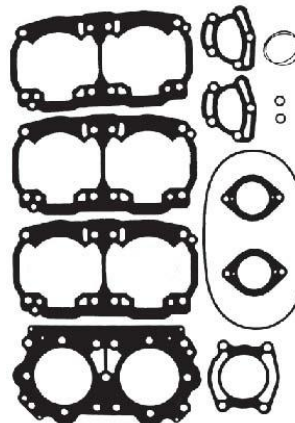
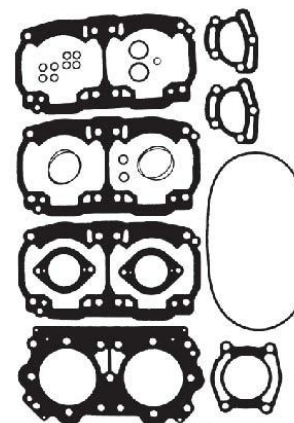
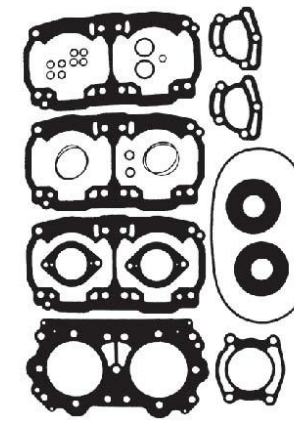
No. 6700 OEM. 290-931-700	No. 6700BB NOE	No. 6732.5-8	No. 6740 OEM. 270-500-384	No. 6745
				
Head Gasket	Big Bore Head Gasket	Base Gasket (5 , 6 , 8 Hole)	Carb 50MM (2 Required)	Reed (Not Required W/ Stock Reeds)

No. 6755	No. 6622 OEM. 290-430-110	No. 6750 OEM. 290-931-670	No. 6760 OEM. 293-250-081	No. 6775 OEM. 290-280-080
				
Aftermarket Reed	Power Valve O-Ring (2 Required)	Power Valve Housing O-Ring (2 Required)	Exhaust (2 Required)	Headpipe

Seadoo 951 1998+ Silver Motor

No. 6780 OEM. 290-850-460	No. 6624 OEM. 290-230-300	No. 6790 OEM. 278-001-159	No. 6795 OEM. 290-931-690	No. 6255 OEM. 293-300-018
				
Stud O-Ring (8 Required)	Balance Shaft O-Ring	Starter O-Ring	Flywheel Cover O-Ring	Oil Pump O-Ring



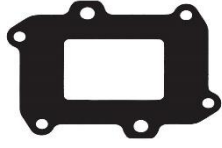

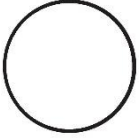

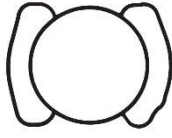
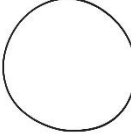
No. 6810 OEM. 290-931-730	No. 6815K	No. 6812	No. 6814
			
Oil Seal (2 Required)	Oil Seal Kit	Center Oil Seal	Center Oil Seal (Large Inside Diameter)

No. 6840K	No. 6842K	No. 6844K
		
951 Top Kit	951 Complete Kit	951 Complete Kit W/ Seals

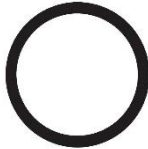
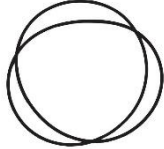

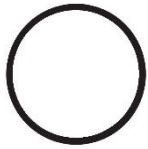
Seadoo 951 DI

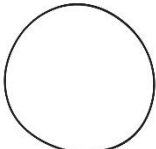
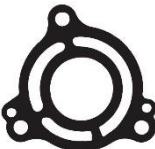



DESCRIPTION	OEM PART #	OURPART#
HEAD *	420-931-706	6705
HEAD GASKET BIG BORE 91.25MM	NOE	6700BB
BASE (3 HOLE .012) *	420-931-905	6734.012
BASE (4 HOLE .016) *	420-931-905.4	6734.016
BASE (6 HOLE .024) *	420-931-905.6	6734.024
REED (NOT REQ'D WITH STOCK REEDS)		6745
POWER VALVE O-RING (2 REQ'D) *	290-850-460	6622
POWER VALVE HOUSING O-RING (2 REQ'D)	290-931-670	6750
EXHAUST (2 REQ'D) *	293-250-081	6760
HEADPIPE *	420-931-990	6870
BALANCE SHAFT O-RING	290-230-300	6624
STARTER O-RING	278-001-159	6790
FLYWHEEL COVER O-RING	290-931-690	6795
OIL PUMP O-RING	293-300-018	6255
RECTIFIER COVER O-RING	420-850-390	6784
COMPRESSOR	420-230-300	6624
COMPRESSOR GASKET	420-931-870	6850
O-Ring	293-300-054	6862
O-Ring	293-300-076	6865
O-Ring	293-300-070	6868
SEALS		
OIL SEAL (2 REQ'D)	290-931-731	6810
OIL SEAL KIT		6815K
CENTER OIL SEAL		6812
CENTER OIL SEAL (LARGE INSIDE DIAMETER)		6814
KITS		
951 DI TOP KIT	ALL	6875K
951 DI COMPLETE KIT	2000+	6880K
951 DI COMPLETE KIT WITH SEALS	2000+	6885K

* DENOTES ITEM IS INCLUDED IN TOP KIT

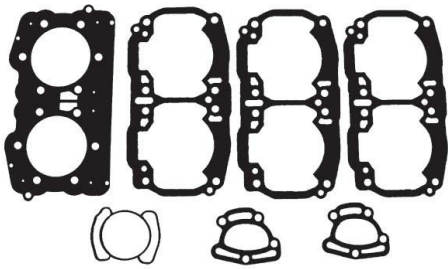
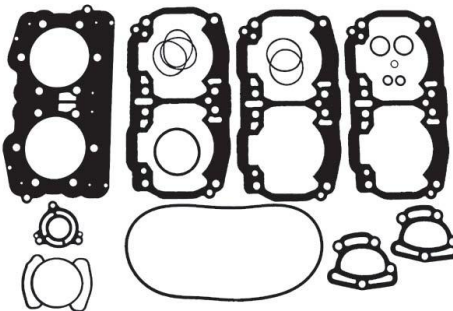
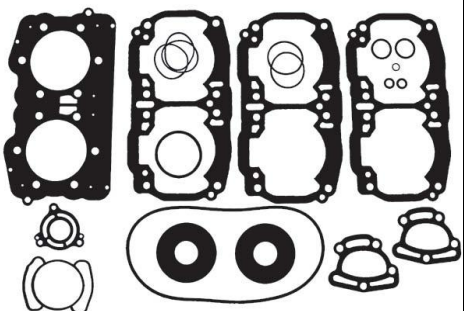
No. 6705 OEM. 290-931-705	No. 6734.3-6734.6 OEM. 293-290-905	No. 6745	No. 6622 OEM. 290-850-460
			
Head	Base (3, 4, 6 Hole)	Reed (Not Required with Stock Reeds)	Power Valve O-Ring (2 Required)
No. 6750 OEM. 290-931-670	No. 6760 OEM. 293-250-081	No. 6870 OEM. 420-931-990	No. 6624 OEM. 290-230-300
			
Power Valve Housing O-Ring (2 Required)	Exhaust	Headpipe	Balance Shaft O-Ring

Seadoo 951 DI

No. 6790 OEM. 278-001-159	No. 6795 OEM. 290-931-690	No. 6255 OEM. 293-300-018	No. 6784 OEM. 420-850-390
			
Starter O-Ring	Flywheel Cover O-Ring	Oil Pump O-Ring	Rectifier Cover O-Ring






No. 6624 OEM. 420-230-300	No. 6850 OEM. 420-931-870	No. 6862 OEM. 293-300-054	No. 6865 OEM. 293-300-076	No. 6868 OEM. 293-300-070
				
Compressor	Compressor Gasket	O-Ring	O-Ring	O-Ring



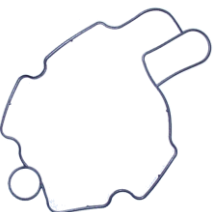

No. 6810 OEM. 290-931-730	No. 6815K	No. 6812	No. 6814
			
Oil Seal (2 Required)	Oil Seal Kit	Center Oil Seal	Center Oil Seal (Large Inside Diameter)

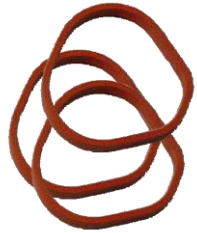
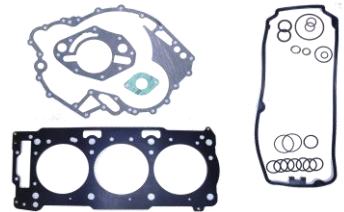
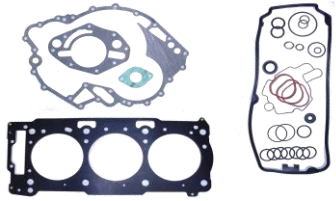
No. 6875K	No. 6880K	No. 6885K
		
951DI Top Kit	951DI Complete Kit	951DI Complete Kit W/ Seals

Seadoo 4-Tec

DESCRIPTION	OEM PART #	OURPART#
HEAD	420950770	6900
VALVE COVER	420950820	6905
OIL PUMP HOUSING	420950970	6910
OIL SEPERATOR COVER	420630540	6915
TIMING DRIVE COVER	420931130	6920
SEALS		
OIL SEAL	420650310	6956
OIL PUMP O-RING		6959
INTAKE O-RING - 3 REQUIRED		6960
INTAKE O-RING KIT		6961K
KITS		
ALUMINUM WASHER KIT		6943K
4-TEC TOP KIT		6980K
4-TEC COMPLETE KIT WITH SEALS		6990K

No. 6900 OEM. 420950770	No. 6905 OEM. 420950820	No. 6910 OEM. 420950970	No. 6915 OEM. 420630540	No. 6920 OEM. 420931130
				
HEAD GASKET	VALVE COVER	OIL PUMP HOUSING	OIL SEPERATOR COVER	TIMING DRIVE COVER




No. 6943K	No. 6956 OEM. 420650310	No. 6959 OEM. 420631480	No. 6960 OEM. 420950740
			
ALUMINUM WASHERS	OIL SEAL	OIL PUMP O-RING	INTAKE O-RING




No. 6961K	No. 6980K	No. 6990K
		
INTAKE O-RING KIT	4-TEC TOP KIT	4-TEC COMPLETE KIT WITH SEALS

SEADOO SPARK

DESCRIPTION	OEM PART #	OUR PART#
Oil Sump Gasket	420450080	0080
Stator Gasket	420416403	1640
Air Intake Gasket, Req 3	420431662	1662
Water Pump Housing Gasket	420431680	1680
Valve Cover Gasket, Req 3	420431751	1751
Camshaft Housing Gasket, Req 3	420431760	1760
Head Gasket	420431812	1812
PTO Cover Gasket	420431820	1820
Oil Tank Gasket	420431840	1840
Oil Radiator Gasket	420431870	1870
Valve Cover Gasket	420431801	1801
Seadoo Spark Gasket Kit		4205K
Wear Ring Stainless (Not included in kit)	267000617	0617

Part No. 0080 OEM No. 420450080	Part No. 1640 OEM No. 420416403	Part No. 1662 OEM No. 420431662	Part No. 1680 OEM No. 420431680	Part No. 1751 OEM No. 420431751
				
Oil Sump Gasket	Stator Gasket	Air Intake Gasket Req. 3	Water Pump Housing Gasket	Valve Cover Gasket Req. 3

Part No. 1760 OEM No.420431760	Part No. 1812 OEM No. 420431812	Part No. 1820 OEM No. 420431820	Part No. 1840 OEM No. 420431840	Part No. 1870 OEM No. 420431870
				
Camshaft Housing Req. 3	Head Gasket	PTO Cover Gasket	Oil Tank Gasket	Oil Radiator Gasket

Part 1801 OEM 420431801	Part No. 4205K	Part No. 0617 OEM No.267000617
		
Valve Cover Gasket	Gasket Kit	Wear Ring, Stainless (Not Included in Kit)