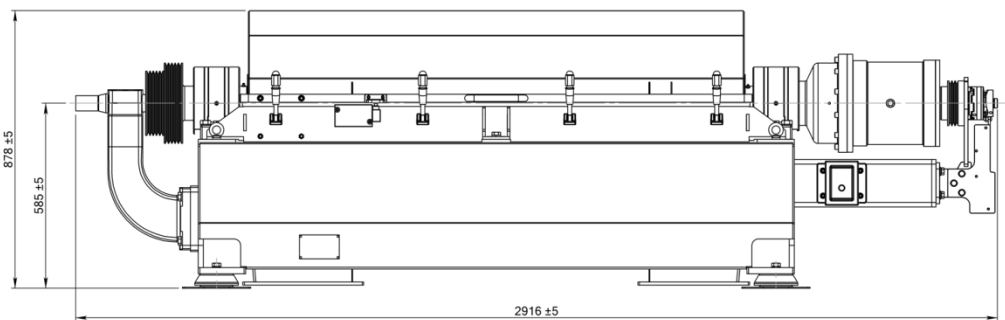
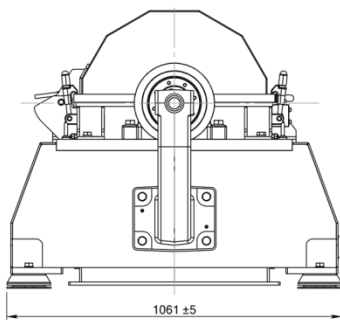
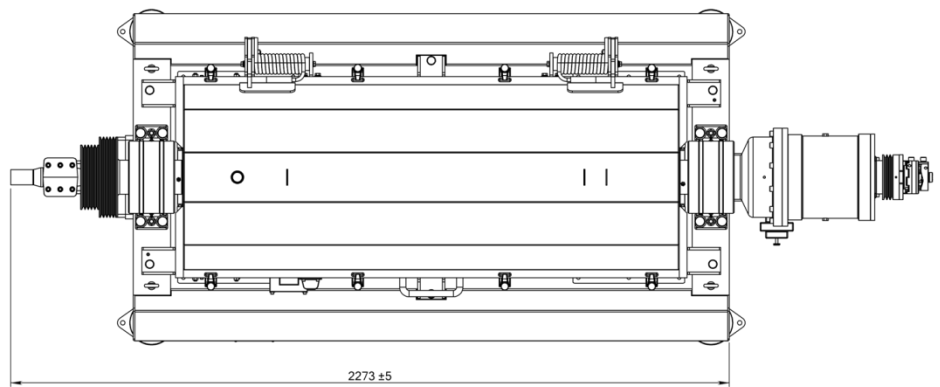


Decanter 1656

Specifications

Application:	2 Phase Separation
Capacity:	Up to 50m ³ /hr
Bowl Diameter:	411mm (16")
Bowl Length:	1402mm (55")
Max Bowl Speed:	3700rpm
Max G-Force:	3100g
Power:	WEG 75kW Main Drive /WEG 25kW Back Drive
Gearbox:	4.1kNm (53:1), 7.1kNm (55:1) or Hydraulic Viscotherm Rotodiff
Materials/Finish:	Bowl Material: 2205 Stainless Steel / Wetted Parts: Stainless Steel
Options:	Frame or skid mount Conveyor wear protection options Fixed torque arm or backdrive Other options on request



Frame mounted model shown

Contact Us

USA

2511 N Frazier Street
Conroe
Texas 77303
Tel: +1281 290 9229
Email: sales@gtechus.com
Website: www.gtechus.com
ISO9001 registered

New Zealand

P.O. Box 29 · Kaiapoi 7644
21 Empire Rd. · Kainga
Christchurch 8083 New Zealand
Tel: +64 3 323 6151
Email: sales@gtechnz.com
Website: www.gtechnz.com
ISO9001 registered

Australia

14A Nicholas Drive,
Dandenong 3175
Victoria, Australia
Tel: +61 3 9768 3866
Email: sales@gtechau.com
Website: www.gtech-australia.com

