

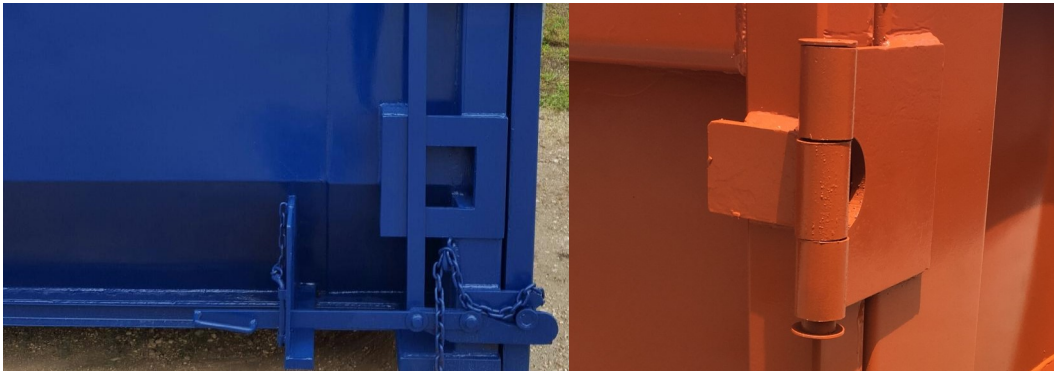
# Octagon Compactor Receiver Container



- Heavy Duty Standard Specs
- Stronger Parts Made in the USA
- One Piece Floors
- Custom Sizes & Styles Available
- Repairs For Old Containers



## The Box Gang Advantage



### Vertical Lift Latch and Standard Hinge System

Secures the door ensuring safe transport and easy unloading of the container and increased safety for the operator. Latch assembly & hinges are made from stronger prime steel in the USA.



### Greaseable Rear Roller

Rollers add to the longevity and durability of the container.



### Compactor Opening

Heavy duty compactor opening with tarp pin off holes to secure debris from falling out during transportation.

### Standard Features

- One Piece 3/16" Floor
- 6" x 2" x 1/4" Long Sills
- 3" Channel Crossmembers
- Crossmembers on 18" Centers
- Every Crossmember Gusseted
- Solid Steel Bullnose
- Structural Channel Rub Rails
- 8" x 8" Greaseable Front & Rear Ground Rollers
- Standard Cable Outside Rail
- Primed Inside & Outside
- Enamel Based Paint Outside Any Color

### Options

- Lighter 3/16" Main Rails
- Vertical Side Supports & Belly Bands for High Force Compactors
- Gasketed Tail Gate
- Dust Collection Box Ports

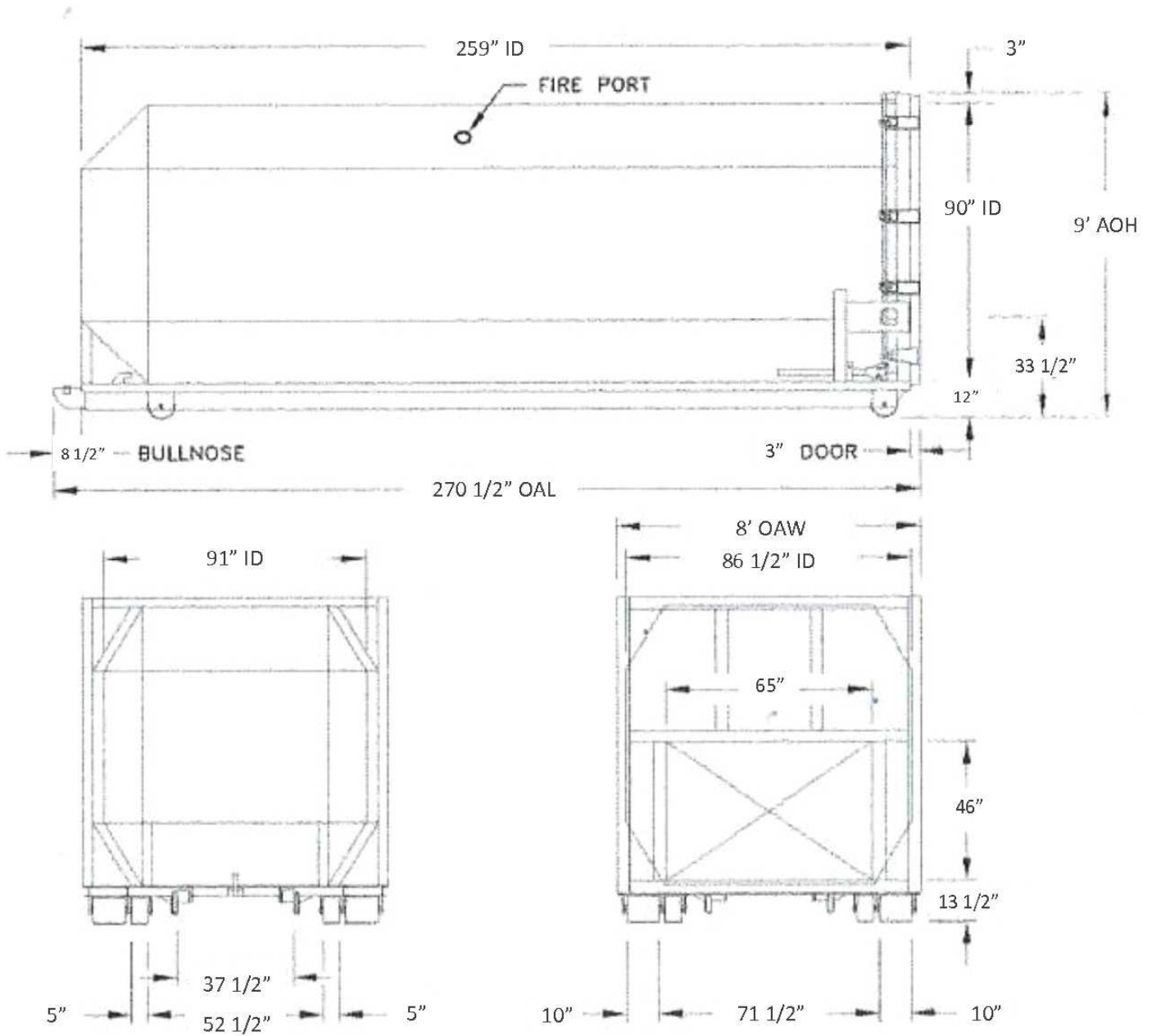
DISTRIBUTED BY



# Octagon Compactor Receiver Container



## Octagon Specifications



\*Dimensions and specifications are nominal and subject to change