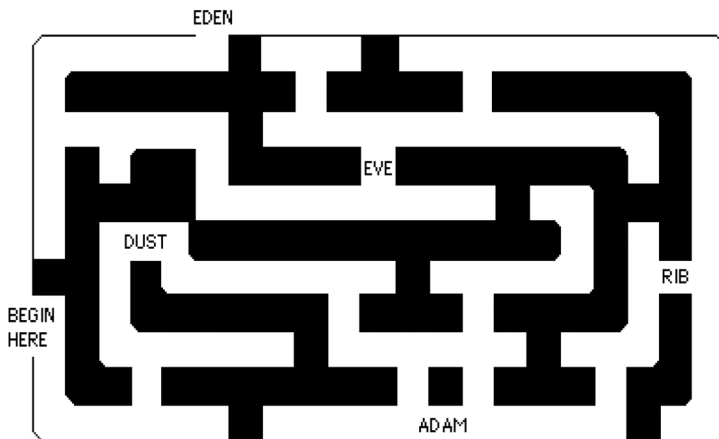


God makes Adam and Eve

V Y L P I T L U M W O M A N L
 H E L P E R G A T E I E V O T
 W U U E M A N A H I V E R I N
 Z C R E A T E D R E U D I M E
 D V D E V I E C E D G R F N P
 F O S G N M A N W O E P F M R
 I Y M R T Q J G D Y O N R C E
 Z Y S I Q T E Q E F I W N D S
 T S S E N E K I L R U O D N M
 M R F A C I A D A M W N Y O C
 G E G A M I O F U B A Q T T U
 G T J S D B F N I B A H S Y A
 F R U I T F U L S T E U M J U
 R E S F Y B S U B R D T Z D T
 H R I B R I H T R E E F U V E

- | | | | |
|----------|----------|--------------|---------|
| ADAM | FRUITFUL | LORD GOD | RIB |
| CREATED | FRUIT | MAN | SERPENT |
| DECEIVED | GARDEN | MOTHER | TREE |
| DOMINION | HELPER | MULTIPLY | WIFE |
| DUST | HUSBAND | NAME | WOMAN |
| EVE | IMAGE | OUR LIKENESS | |



OC4Cplx
 June 2016

Part 2 The beginning

GOD'S GREEN THUMB

...THE STORY OF GOD AND HIS PEOPLE

By Paul Dallgas-Frey

From the Book of Genesis, Chapters 2

Back in the day ...

... when God first made the Earth, he saw that there was no one to take care of it. So God reached down into the ground. He took some stuff from the earth, and he made a man. But there was no life in him. So God bent down again, and breathed into the man - and the man became alive!

The man's body was made from the earth, but his life came from the breath of God. Always remember that. Your life is the breath of God.

God called the man, 'Adam.'

Then God planted a garden in Eden for Adam to live in. And since God is God, he is a pretty good gardener. He planted all kinds of trees in his garden; apple trees, and pear trees, banana trees and mango trees, fig trees and who knows what other kinds of trees in his garden. God wanted to make sure there was plenty of good things to eat. (Don't ask me why he didn't plant any candy trees!).



Adam dabbles with photography
(Okay, not really!)

In the middle of the garden God also planted two special trees. One was called the Tree of Life, and the other was called the Tree of the Knowledge of Good and Evil.

And God made a stream of clear, cool water to flow through the middle of the garden to water it and keep it green.

Then God brought Adam to the garden and he told him, 'Take care of my garden. You may eat the fruit of any of the trees that I have made to grow there. But be careful. Do not eat any of the fruit from the tree of the Knowledge of Good and Evil. If you eat any of that fruit, you will die.'

So Adam began to live and work in the garden God had made for him.

The garden was a wonderful, beautiful place.



But Adam was lonely.