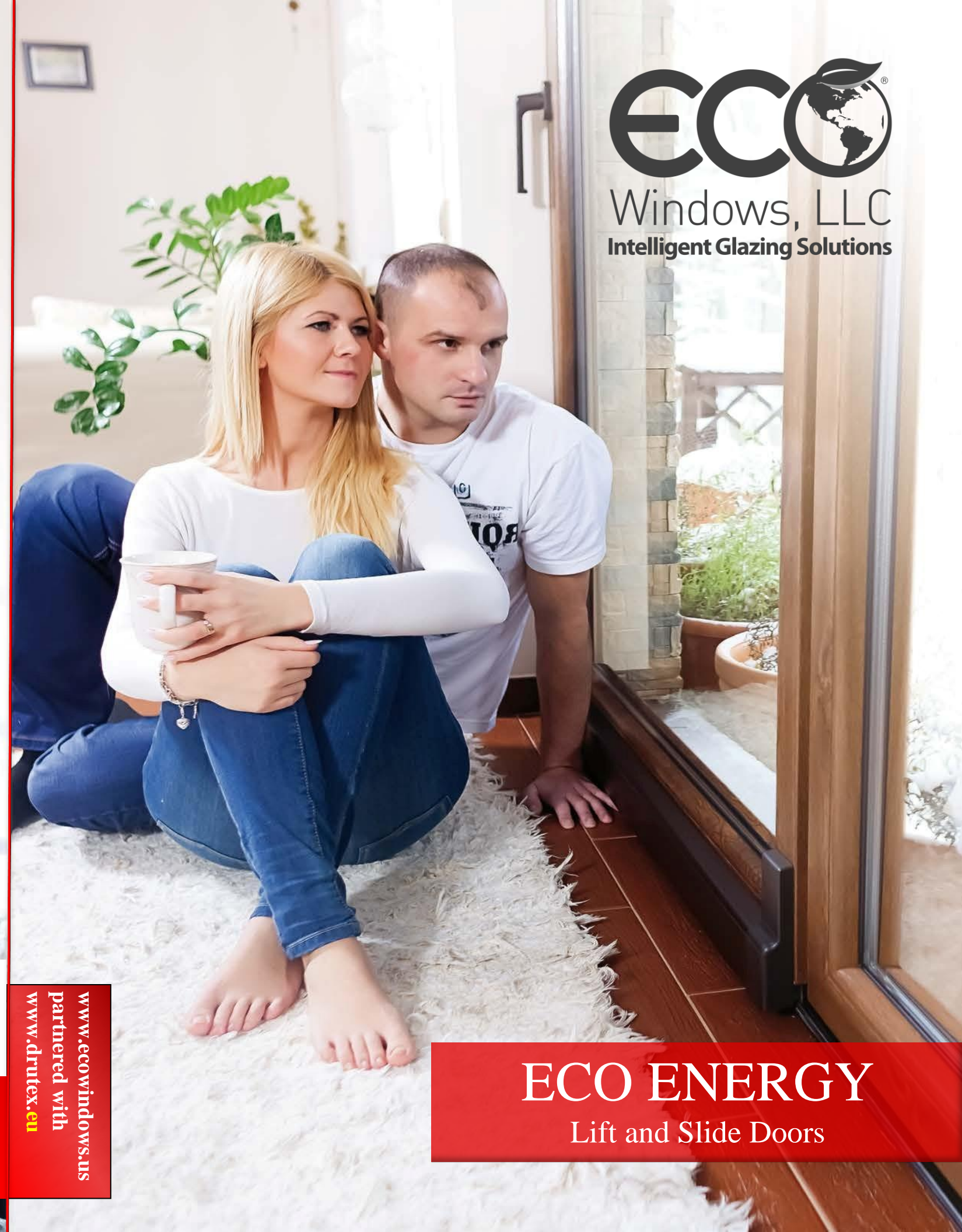


white FX Renolit 915205168	creme Renolit 1137905	grey Renolit 715505	antracyt Renolit 1701605	brillant blue Renolit 1500705	steel blue Renolit 1515005
fair green Renolit 611005	dark green Renolit 612505	palisander Renolit 851805	dark red Renolit 308105	middle brown Renolit 809905	chocolate brown Renolit 887505
moss green Renolit 1600505	natura oak Renolit 3118076	special oak Renolit 2052090	oregon Renolit 2115008	daglezja Renolit 3152009	golden oak Renolit 2178001
mahogany Renolit 2097013	nut Renolit 2178007	dark oak Renolit 2052089	macore Renolit 3162002	shogun AF Renolit 49198	winchester XA Renolit 49240015
quarz grey	basalt grey	quarz grey	basalt grey	anthracite	Aluminium Brush Effect



ECO
Windows, LLC
Intelligent Glazing Solutions



ECO Windows, LLC
Bus: 775-636-8138
Fax: 775-636-8391
www.ecowindows.us
info@ecowds.com

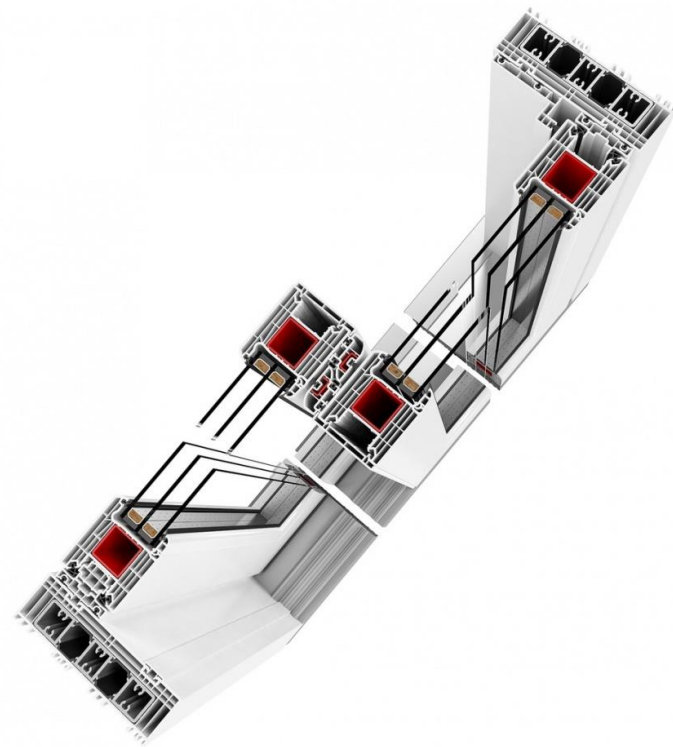
www.ecowindows.us
partnered with
www.drutex.eu

ECO ENERGY
Lift and Slide Doors

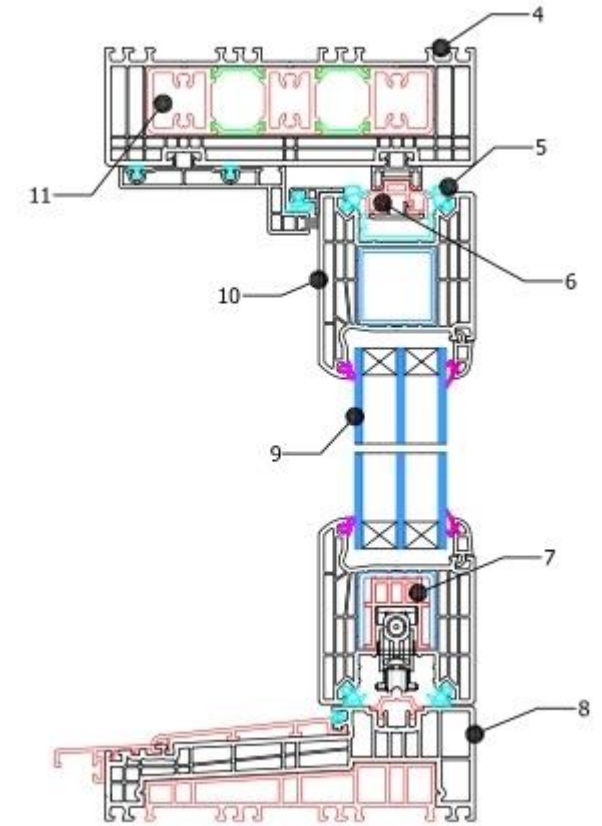
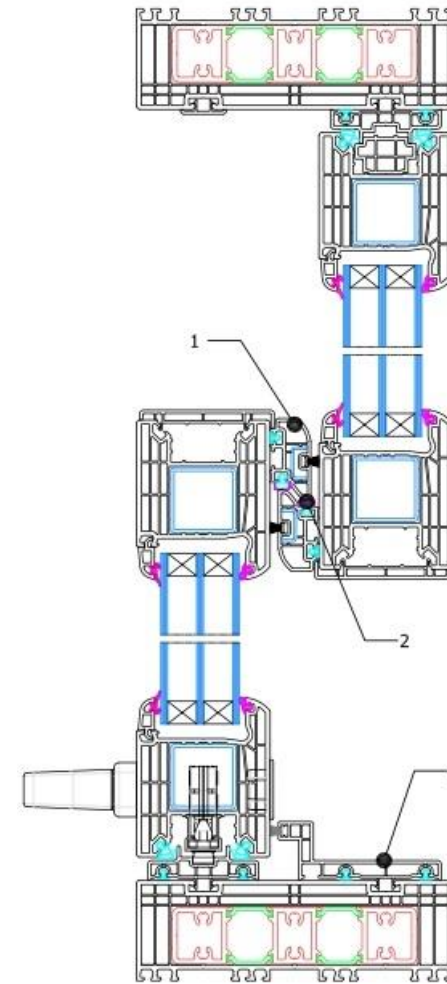
DISTRIBUTED BY



Section - Lift and Slide



Top View Lift and Slide

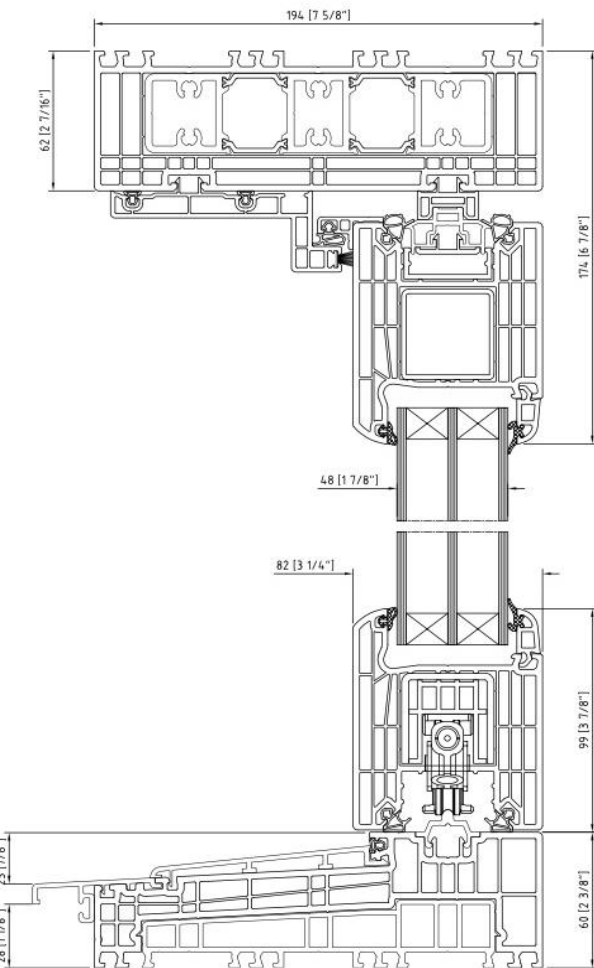


1. Steel reinforced meeting rails
2. High pile weather stripping with two additional EPDM gaskets
3. Enhanced jamb sealing enclosure
4. 7-5/8" uPVC frame with accessory grooves
5. Dual EPDM sash gaskets
6. Upper track with anti-lift device
7. Roller guide stabilizing profile
8. Thermally broken aluminum sill
9. 1-7/8" Glazing pocket
10. 7 Chamber steel reinforced sash profile
11. Thermally broken aluminum reinforcement

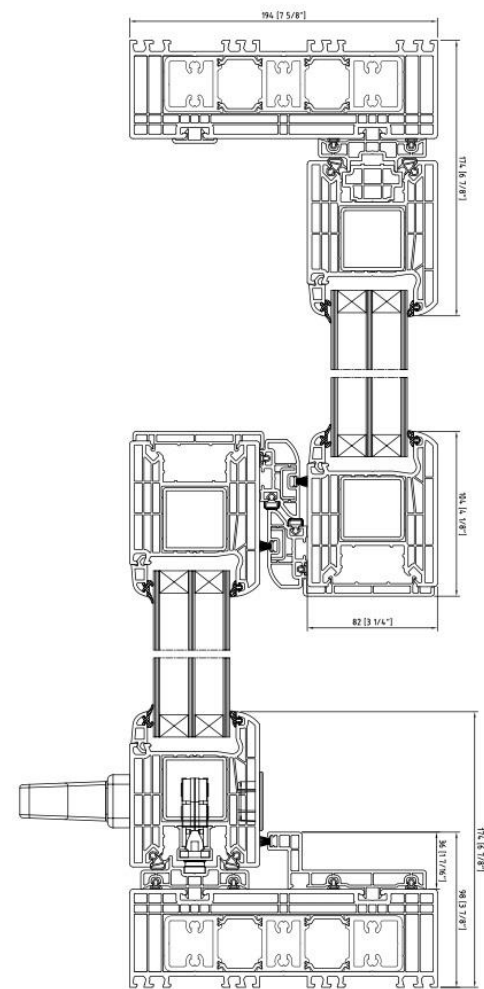
Lift & Slide custom door systems are a popular choice for opening of large expanses. A system of levers and wheels lifts the panel off the sill enabling movement of large, heavy panels with very little effort. A door weighing up to 880 pounds can be opened with ease.

Features & Benefits

- Levers and wheels lift the panels off the sill, freeing it from weather stripping with very little effort
- Sill-supported panels run on two multi-wheel carriages
- Resistant to air and water infiltration
- Dual weather seals at the top, bottom and sides
- Pocketing and cornering systems available
- Aluminum or flush sill options
- Non-corrosive multi point locking hardware
- Motorized operation available



Head and Sill



Jamb at Fixed and Operable