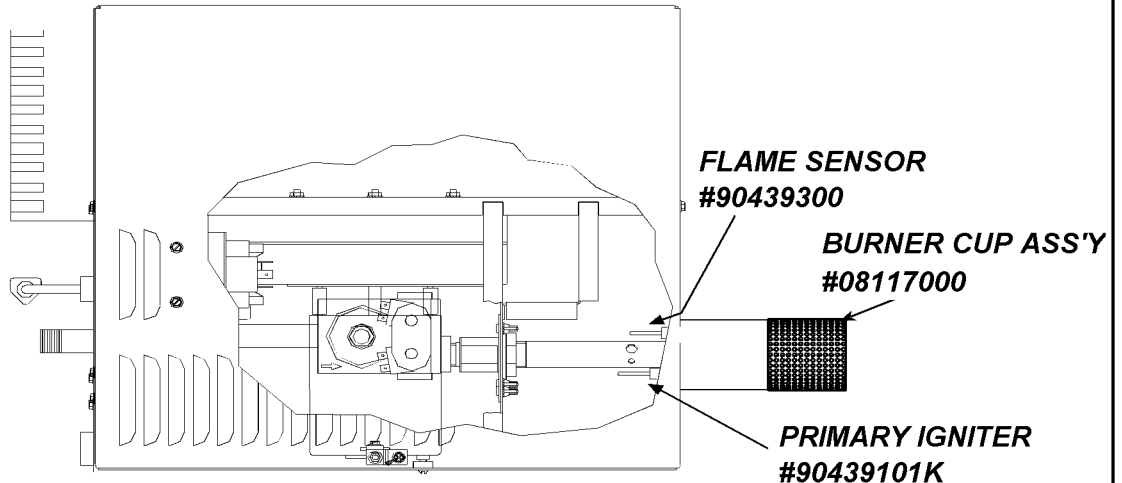


**Residential Garages and
Light Industrial Commercial
Applications**



Top View

PRESSURE SWITCH
GTH-30 #90439806K
GTH-40 #90439804K
GTH-50 #90439802K

GAS VALVE
NAT.#90034500
L.P.#90034600

MICA WINDOW ASS'Y
#02553203
DOOR GASKET
#08115100

TRANSFORMER
#90436900K

POWER CORD
#91306405

IGNITION MODULE
#90434005 RAM *Obsolete*
use # 90434009A Fenwal Kit
If Replacing Fenwal DSI use
#90434009K(12-1-2010 & AFTER)
Comes with No Accessories

MOTOR ASS'Y
#90710201

IGNITION CABLE
#90427706 RAM
90427709 FENWAL

Side View