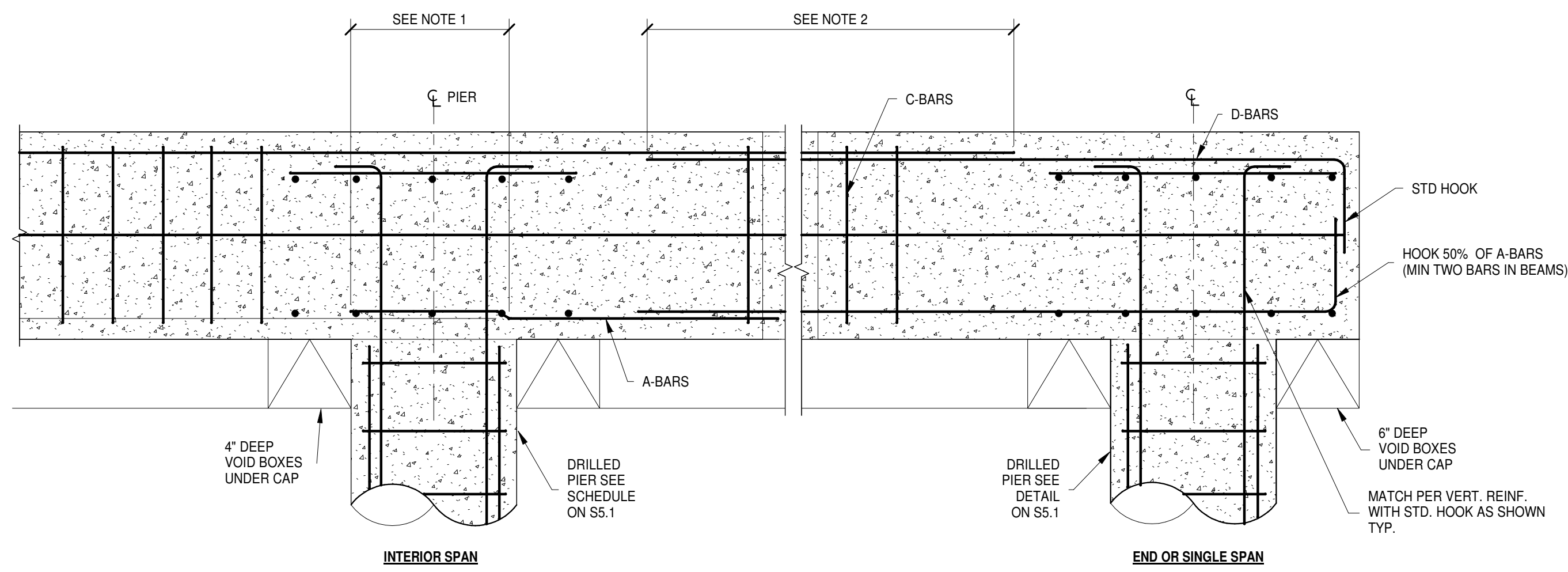
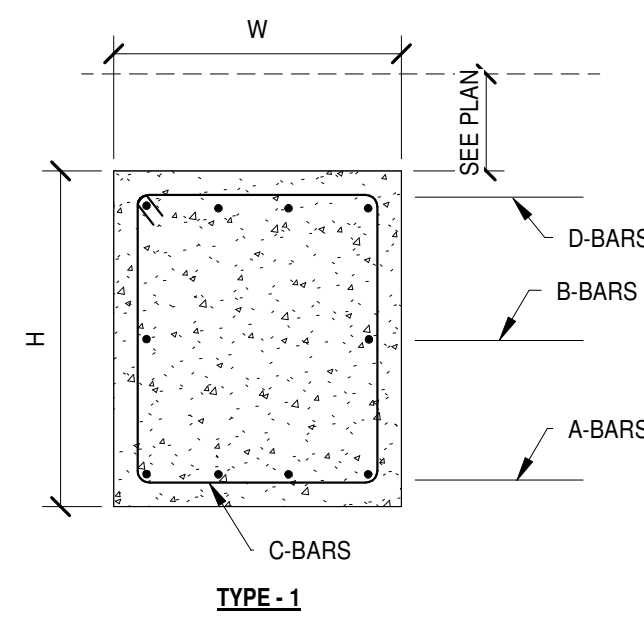


9/26/2016 8:54:39 AM T:\Projects\Structural\2016\16BRW015 - RADHA KRISHNA TEMPLE\Rev\16BRW015 - Central R15 (RESTLDC).rvt



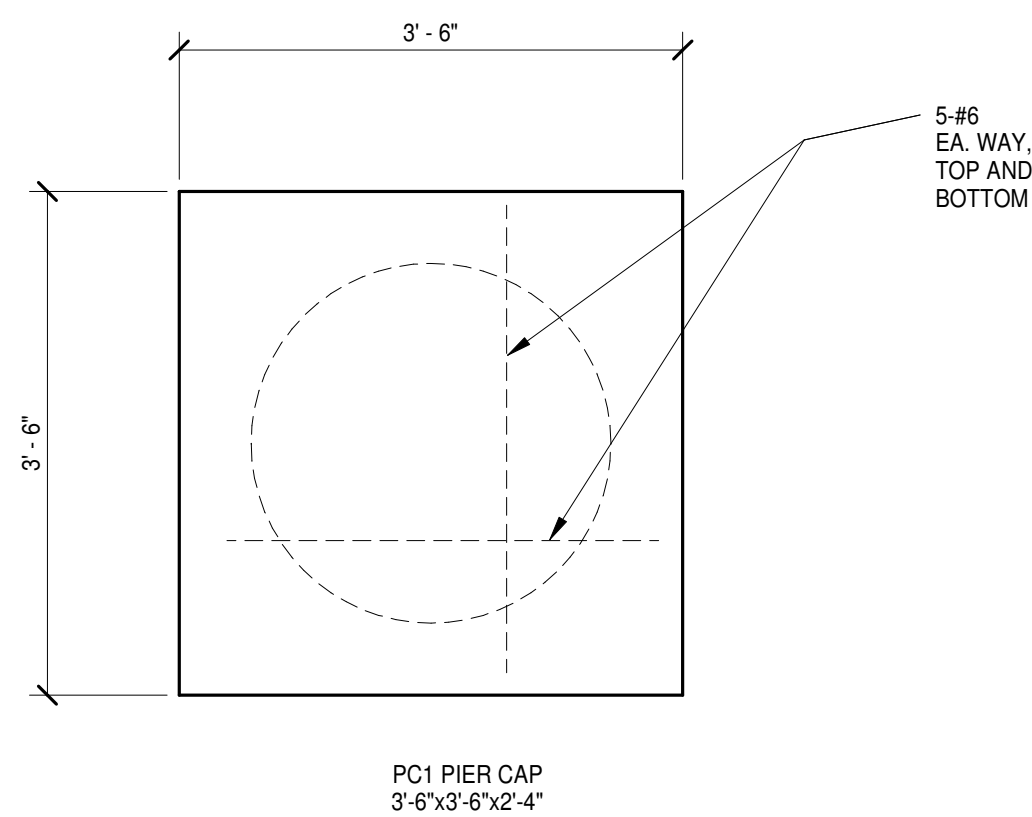
- INTERIOR SPAN**
1. SPLICE 50% OF A-BARS (MIN TWO BARS IN BEAM) WITH CLASS A TENSION LAP. LAP BOTTOM BARS AT SUPPORTS.
 2. FOR CLASS A TENSION LAP SPLICE LAP TOP BARS AT BEAM MID-SPAN.
- END OR SINGLE SPAN**
- NOTE: SEE SCHEDULE FOR CROSS SECTION THROUGH BEAM.



GRADE BEAM SCHEDULE							
GB MARK	SIZE		REINFORCEMENT				COMMENTS
	WIDTH	HEIGHT	D	A	C	B	
GB 1	1'-6"	2'-4"	4-#5	4-#6	#3 AT 9"	2-#5	TYPE - 1
GB 2	1'-6"	2'-4"	4-#7	4-#7	#3 AT 9"	2-#7	TYPE - 1

TYPICAL GRADE BEAM SCHEDULE AND DETAILS

14
S8.0 3/4" = 1'-0"



PIER CAP SCHEDULE						
MARK	SIZE		THICKNESS	REINFORCEMENT	CLOSED TIE	COMMENTS
	WIDTH	LENGTH				
PC1	3'-6"	3'-6"	2'-4"	SEE PLAN DETAIL	#4 AT 6" SEE 1/S4.1	

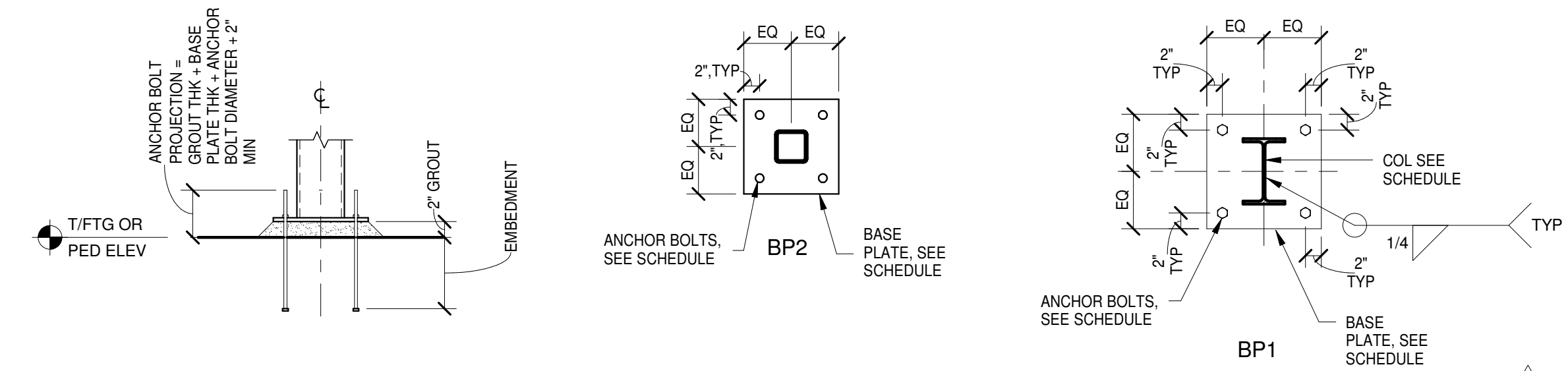
12 PIER CAP PLAN AND SCHEDULE

S8.0 3/4" = 1'-0"

COLUMN SCHEDULE					
MARK	SIZE	BASE PLATE SIZE	HEADED ANCHOR BOLTS	COMMENTS	
C1	W10X49	1" X 18" X 18"	4 - 3/4" X 12" EMBED ANCHOR BOLTS	BP1	
C2	W8X31	3/4" X 16" X 16"	4 - 3/4" X 12" EMBED ANCHOR BOLTS	BP1	
C3	HSS10X10X1/2	1" X 18" X 18"	8 - 3/4" X SEE BP3	BP3	
C4	HSS4X4X1/4	3/4" X 12" X 12"	4 - 3/4" X 12" EMBED ANCHOR BOLTS	BP2	

COLUMN LEGEND

- = COLUMN BELOW
- = COLUMN THRU
- = COLUMN ABOVE



COLUMN SCHEDULE AND BASE PLATE DETAILS

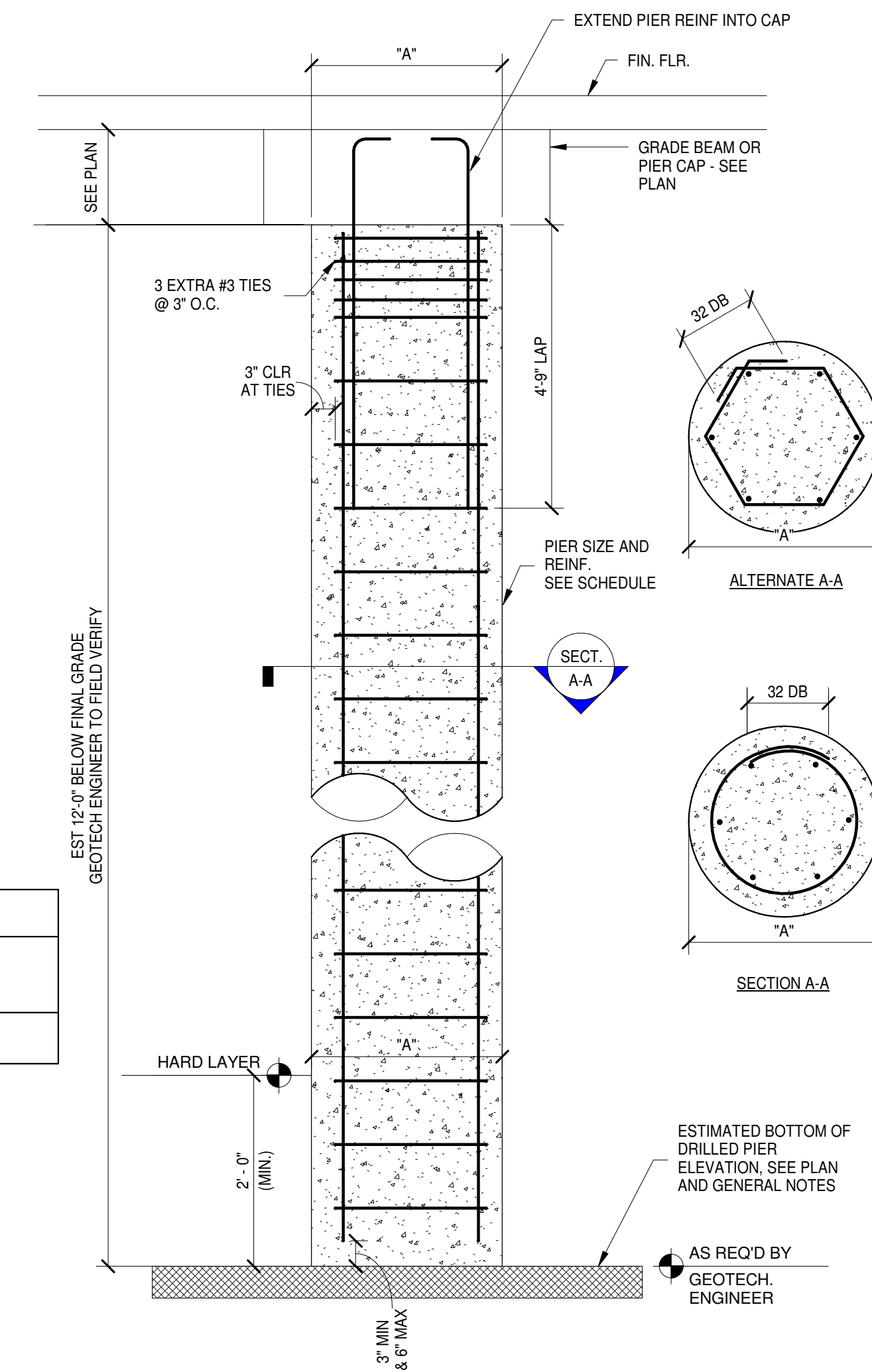
2
S8.0 3/4" = 1'-0"

TILT-UP PANEL REINFORCEMENT SCHEDULE			
THICKNESS	VERTICAL (EA.FACE)	HORIZONTAL (EA.FACE)	REMARKS
7 1/4"	#5@10" C/C	#4@12" C/C	SEE S12.0 AND S12.1

* FOR REINFORCEMENT AT NARROW JAMBS AND AROUND OPENINGS REFER ELEVATIONS ON S12.0 AND S12.1

7 TYPICAL TILT UP WALL PANEL SCHEDULE

S8.0 1" = 1'-0"



15 TYPICAL DRILLED PIER DETAIL

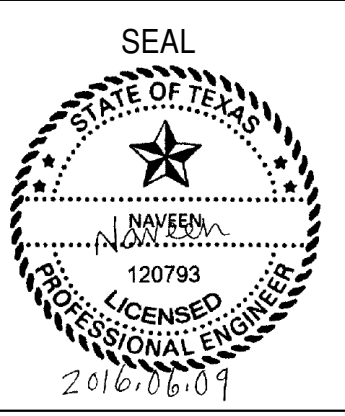
S8.0 3/4" = 1'-0"



RADHA KRISHNA TEMPLE
Owner
ALLEN TEXAS

JOB NUMBER: 16DLS003
ISSUE DATE: 04-22-2016
DRAWN BY: SDB
DESIGNED BY: NAV

REVISIONS		
ADDENDUM NO. 2	06-09-2016	
ADDENDUM NO. 3	08-25-2016	



SHEET NUMBER
S8.0

SCHEDULES AND DETAILS