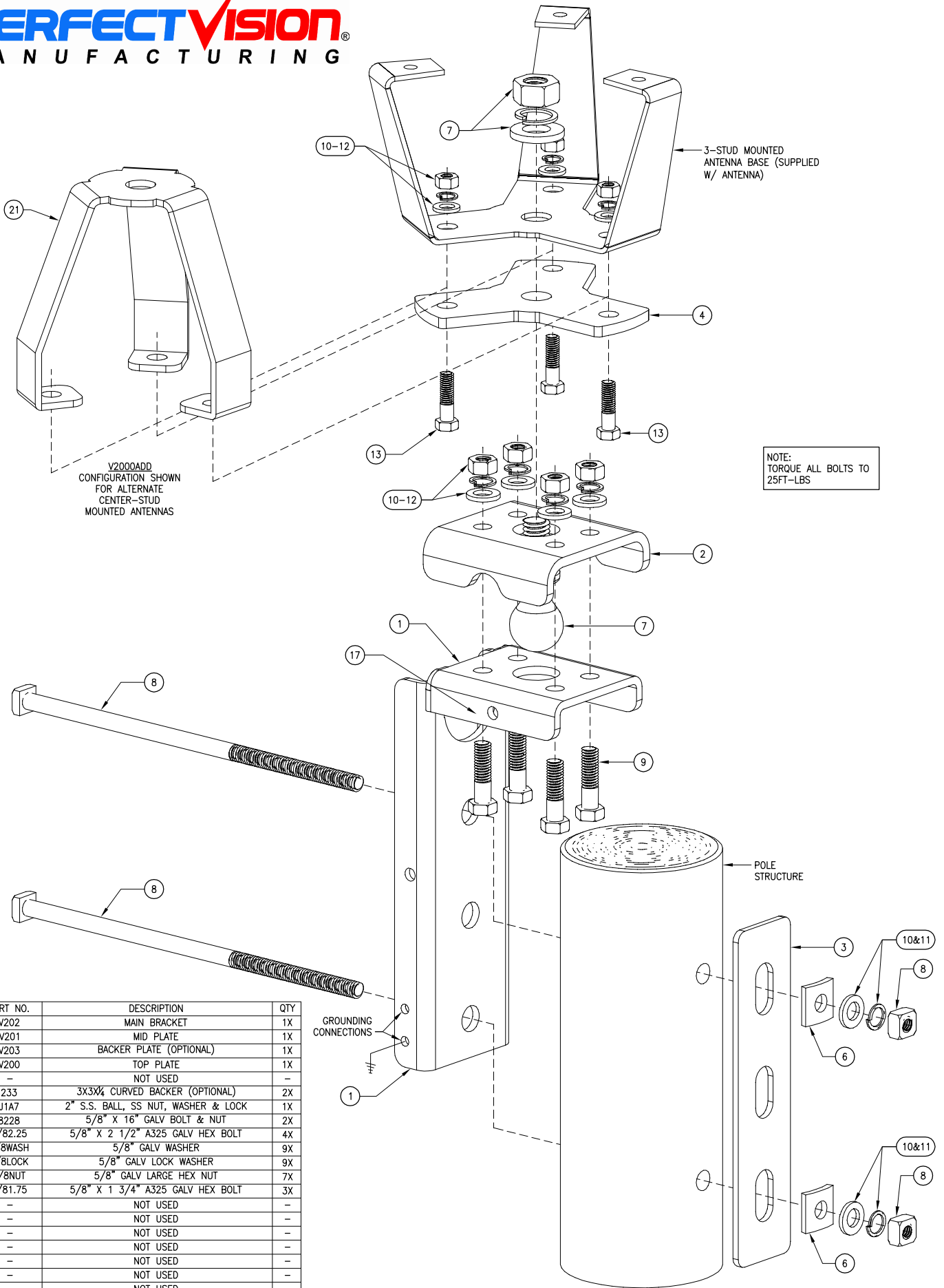




## V2000ASSY TOP POLE BRACKET

Wireless Construction, Inc. | 40 Blake Road | Standish, ME 04084  
Phone: (207) 642-5751 Fax: (207) 642-5754



ITEM	PART NO.	DESCRIPTION	QTY
1	V202	MAIN BRACKET	1X
2	V201	MID PLATE	1X
3	V203	BACKER PLATE (OPTIONAL)	1X
4	V200	TOP PLATE	1X
5	-	NOT USED	-
6	233	3X3 3/4" CURVED BACKER (OPTIONAL)	2X
7	J1A7	2" S.S. BALL, SS NUT, WASHER & LOCK	1X
8	8228	5/8" X 16" GALV BOLT & NUT	2X
9	5/82.25	5/8" X 2 1/2" A325 GALV HEX BOLT	4X
10	5/8WASH	5/8" GALV WASHER	9X
11	5/8BLOCK	5/8" GALV LOCK WASHER	9X
12	5/8NUT	5/8" GALV LARGE HEX NUT	7X
13	5/81.75	5/8" X 1 3/4" A325 GALV HEX BOLT	3X
14	-	NOT USED	-
15	-	NOT USED	-
16	-	NOT USED	-
17	-	NOT USED	-
18	-	NOT USED	-
19	-	NOT USED	-
20	-	NOT USED	-
21	V2000ADD	ALT. ANTENNA MNT FOR STUD-MNTD ANT'S	1X
		NOT SHOWN	
22	90312A107	18" SAFETY CABLE	1X
23	33975T51	SS CARIBINER	1X