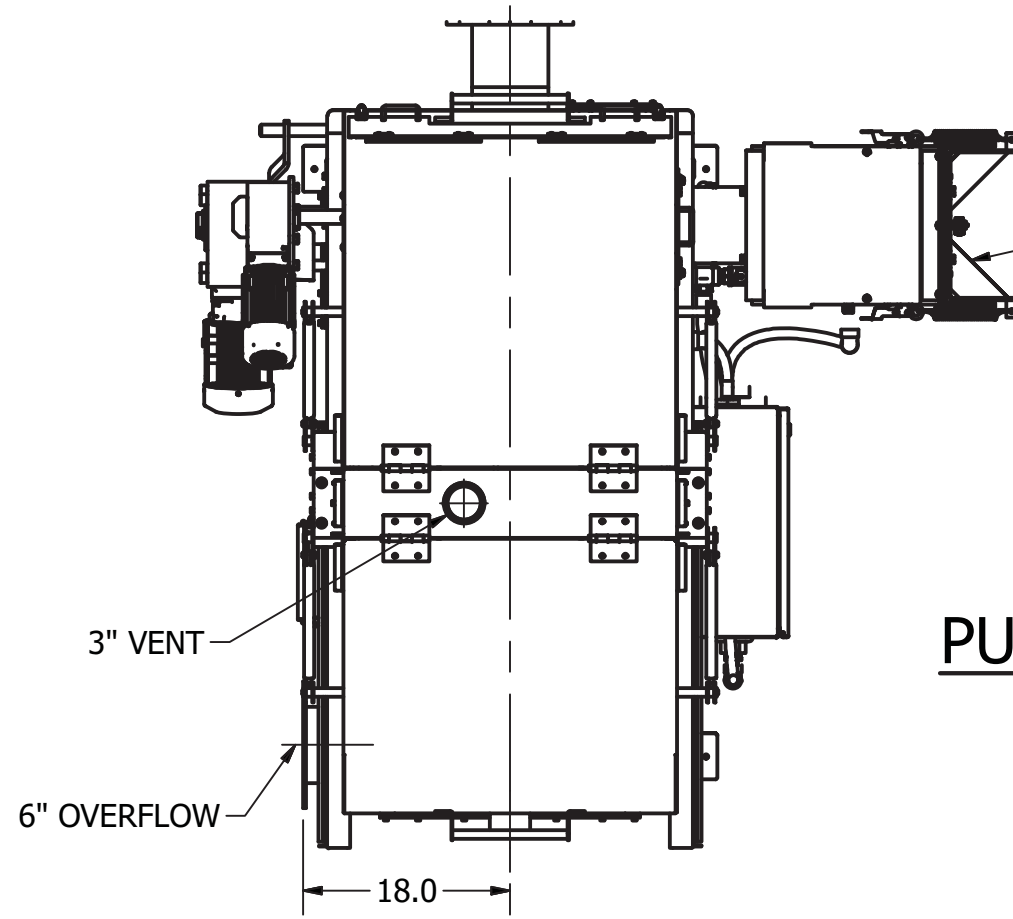
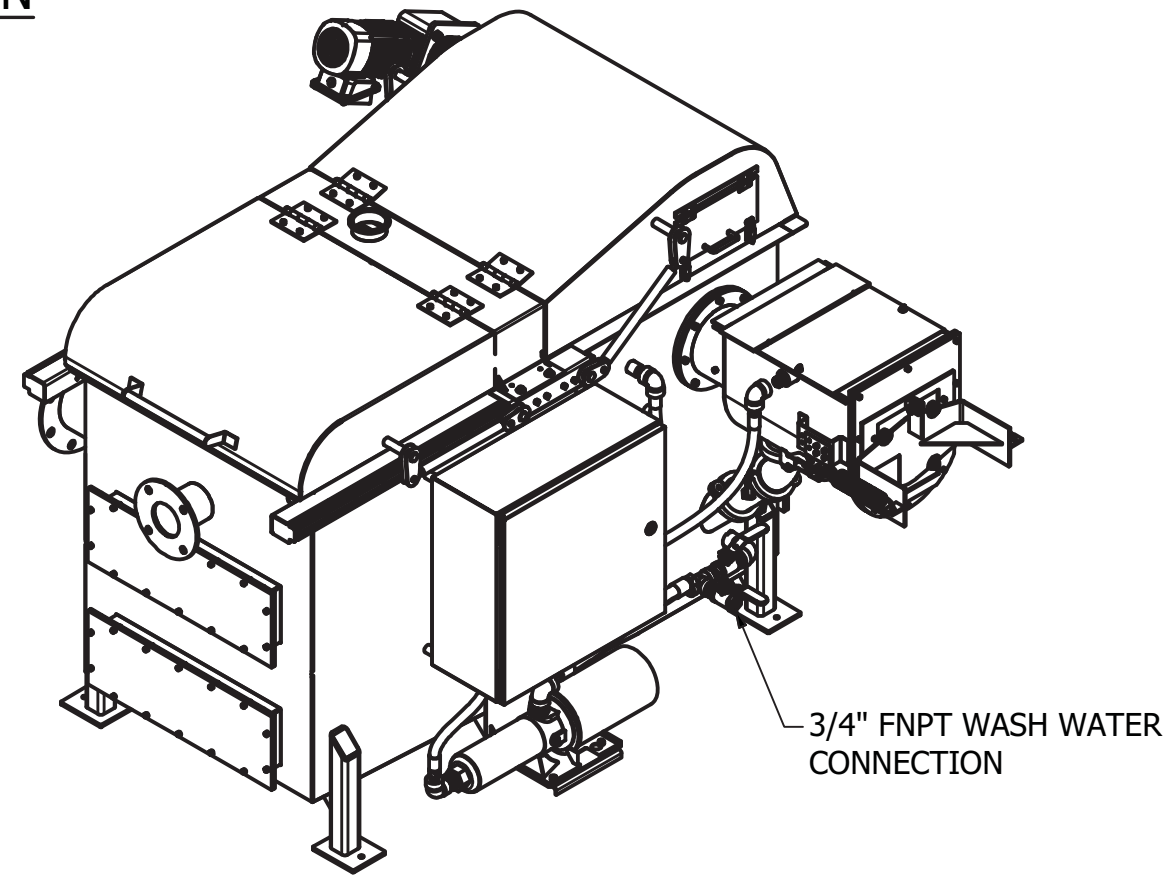


NOT FOR CONSTRUCTION

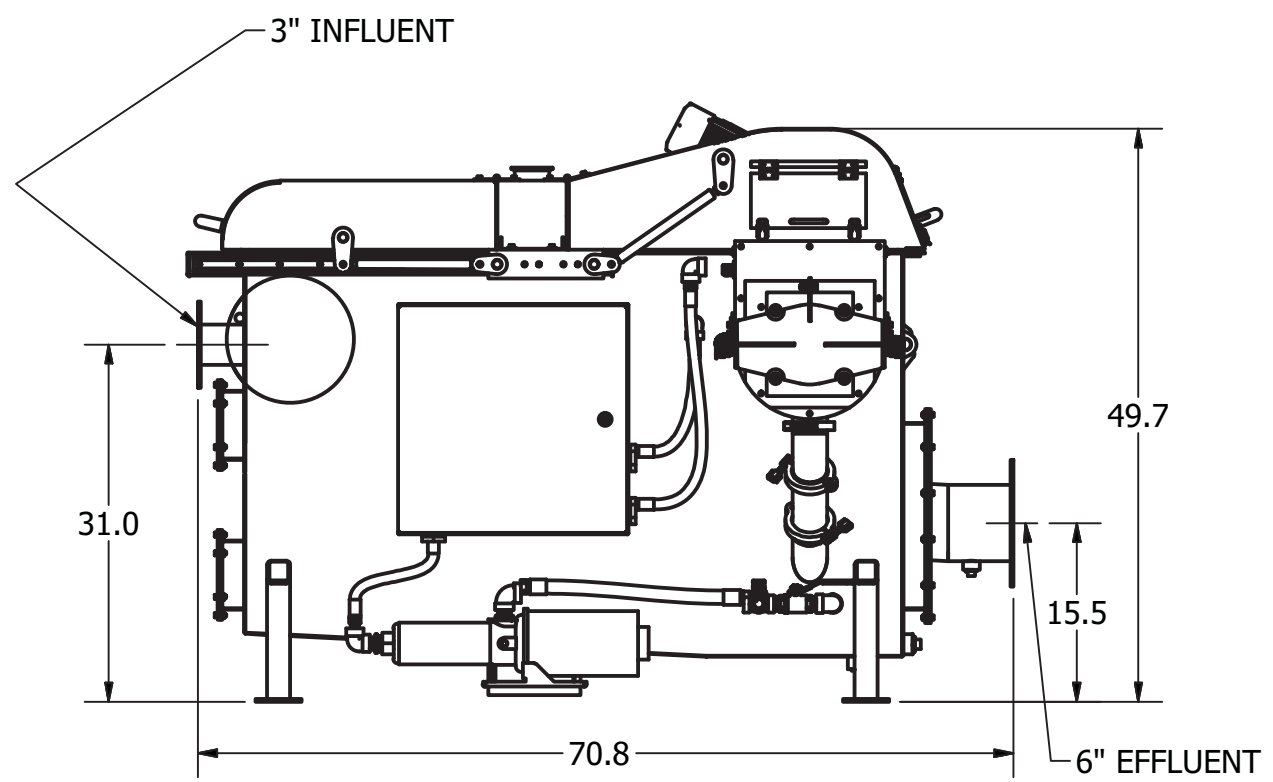
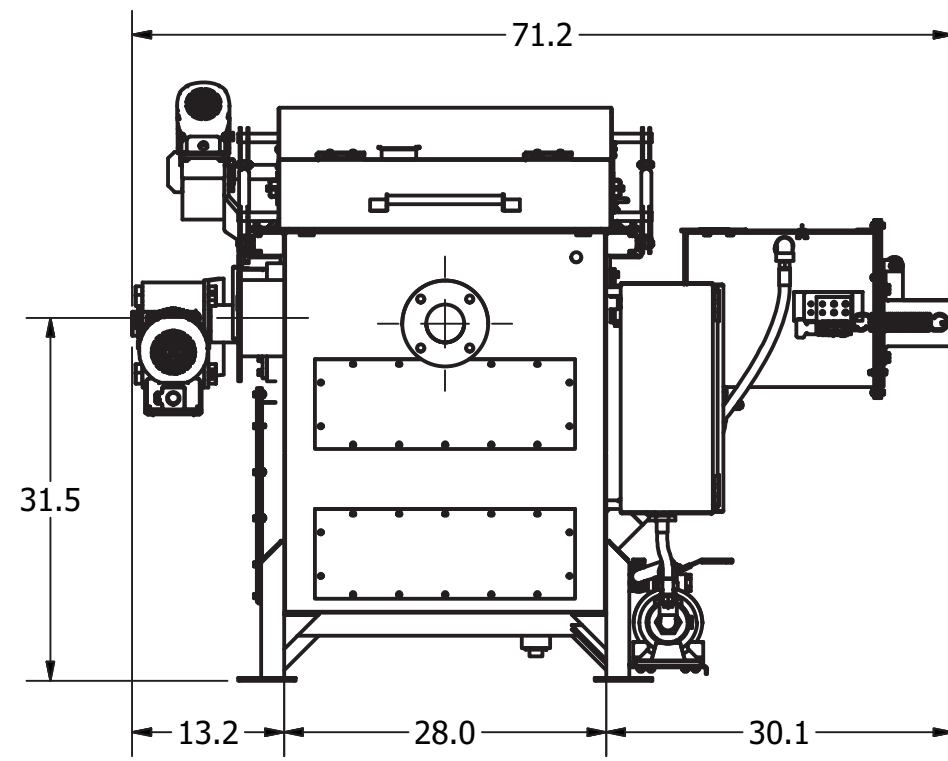


6" SOLIDS DISCHARGE DOOR

PUMPED INLET MODEL



3/4" FNPT WASH WATER CONNECTION



REV	DESCRIPTION	BY	CHK'D	APP'D	DATE
0	FOR INFORMATION	JCM	AHM	MWA	1/30/15

WWW.MITCHERSON.COM (713) 306-2274

TITLE: **ES-270 GENERAL ASSEMBLY**

DRAWING NUMBER: **ES-270HF**

UNLESS OTHERWISE SPECIFIED:  
 1. DIMENSIONAL TOLERANCES APPLY .X ± .030 FRACTIONS ± 1/16  
 2. DIMENSIONS ARE IN INCHES .XX ± .010 ANGLES ± 0°30'  
 3. DEBURR AND BREAK ALL SHARP EDGES, R .020 .XXX ± .005

DRAWN BY: JCM  
 DATE: 1/30/2015

WT. / LBS. **1303.0**  
**lbmass** SHEET 1 OF 1  
 REVISION: 0