

# TENSIONING SOLUTIONS Inc.

"Your simple, low-cost banner Stretching System"

Newsletter - February 18, 2016

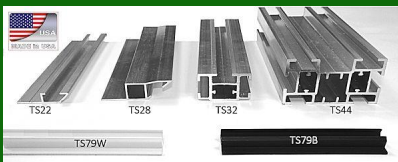
## IN THIS ISSUE:

- [Stretching Your Banners](#)
- [TS22 - One Front Channel](#)
- [TS28 - One Rear Channel](#)
- [TS32 - 3 Channels](#)
- [TS44 - 6 Channels](#)

## SO MANY APPLICATIONS...



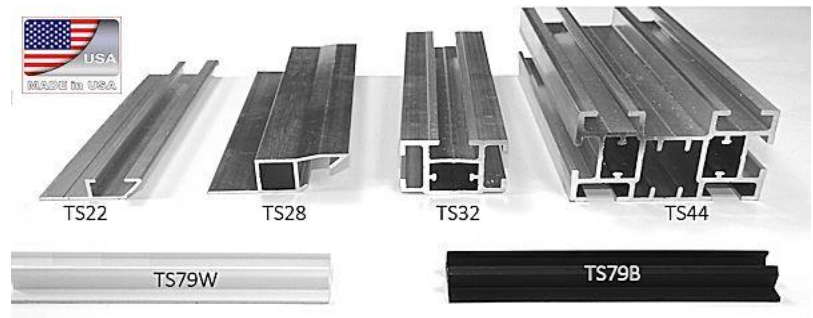
REALIZED WITH A HANDFUL OF EXTRUSIONS



## Welcome To Our Newsletter

### Simple and Low-cost Ways to Stretching Banners

Our different aluminum extrusions have different numbers of channels where the graphics can be inserted and stretched.

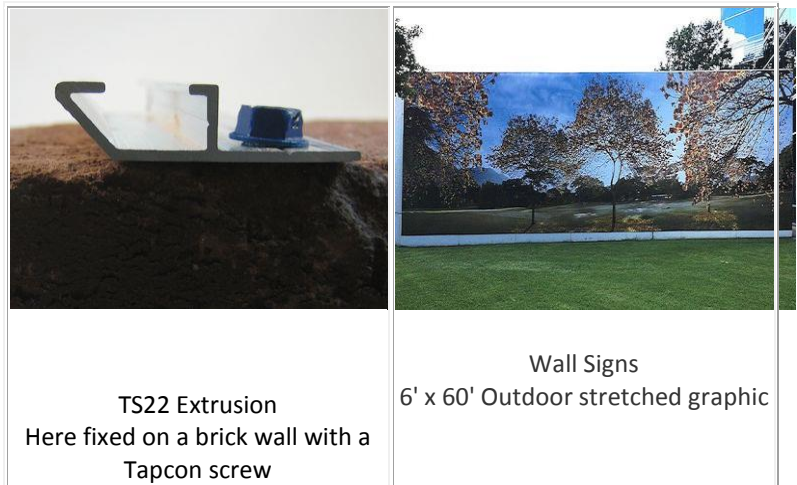


Let's review the possibilities we have with each extrusion.

[Top of Page](#)

### TS22 - ONE FRONT CHANNEL

The TS22 aluminum extrusion has one channel on the front. This means that the white or black PVC strip will be visible all around the frame.



TS22 Extrusion  
Here fixed on a brick wall with a Tapcon screw

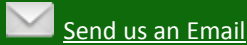
Wall Signs  
6' x 60' Outdoor stretched graphic

## KEEP IN TOUCH...

Phone: (800) 436-8242



Web: [www.tensols.com](http://www.tensols.com)



[Subscribe To Our Newsletter](#)



All our aluminum and PVC extrusions are 100% recyclable.



Our entire aluminum and PVC extrusion product line is designed and manufactured in the USA.

How does it work?  
Have a look to our video...



### THE COMPANY

Tensioning Solutions mission is to propose to sign professionals a product line of aluminum extruded bars of the highest quality. Designed to Stretch Banners for many applications, and which are easy to install, versatile and very cost effective.



Stadium Entrance  
124' x 10' TS22 frame

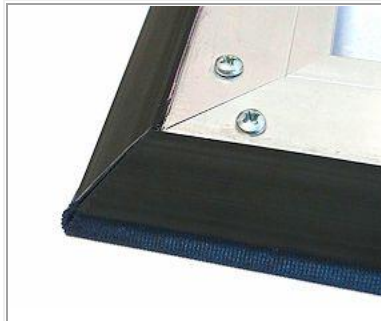


Box truck Frames  
So economical that your customer will thank you for installing his complete fleet

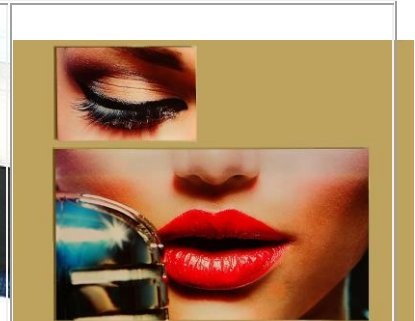
[Top of Page](#)

### TS28 - ONE REAR CHANNEL

The TS28 has only one channel in the rear of the extrusion. It is designed to fabricate interior Art frame to decorate Hallways, Conference rooms, branches and also museums, exhibits, galleries...



Rear corner of a TS28 frame. Screwing the PVC corner is not mandatory. It depends on the size of the frame



The smallest TS28 ART Frame is 24" by 36" and the large one is 45" by 81".

[Top of Page](#)

### TS32 - 3 CHANNELS

The graphics can be stretched with the PVC locking strip inserted to the front, the side and the rear of the extrusion. When the graphic is fixed from the rear, it wraps entirely the frame.

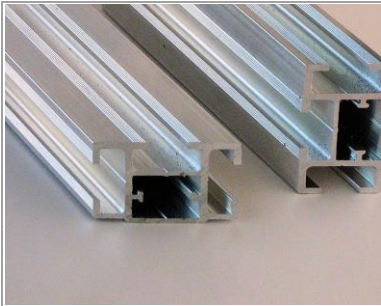
Designed for medium and large size framed banners and signs for:

- Advertising
- Construction sites
- Architectural applications (Walls, ceiling...)
- Sports Events



[Ask For A Free Quote](#)

- Shops, malls decorations



TS32 Extrusion



7'x 42' and 7'x 60' stretched banners in a parking mall.



Cleveland Browns Stadium  
Three of eight 22' x 42' stretched mesh banners.

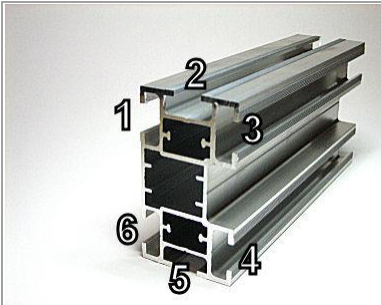


TS32 Ceiling Panels  
Photo taken during their installation

[Top of Page](#)

**TS44 - 6 CHANNELS**

Our sturdiest extruded aluminum bar is designed for medium, large and very large (> 5,000 Sq ft) framed stretched banners and signs. It is also used for building structures such as exhibition booths, and 3D signs.



TS44 Extrusion  
A sturdy extrusion with 6 channels to fix and stretch the graphics.



With our banner stretching frames, fabricate different shapes and still get perfectly stretched graphics.



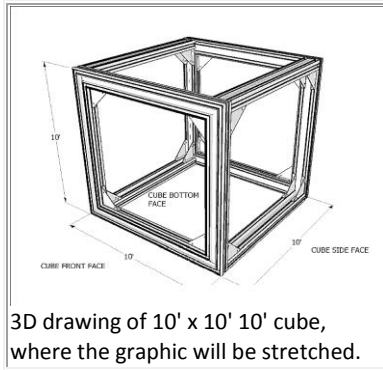
30'x50' Banner installed outside parking in Montreal



TS44- U-shaped Structure hiding utilities equipment



The two frames installed on a rough wall were perfectly stretched.



3D drawing of 10' x 10' 10' cube, where the graphic will be stretched.



The graphic is superbly stretched on the four vertical sides of the structure.

Top of Page



**TENSIONING SOLUTIONS**

**Tensioning Solutions Inc.**

**EASY TO INSTALL FOR ANY FRAME SHAPES AND SIZES,**