



SP-4410L

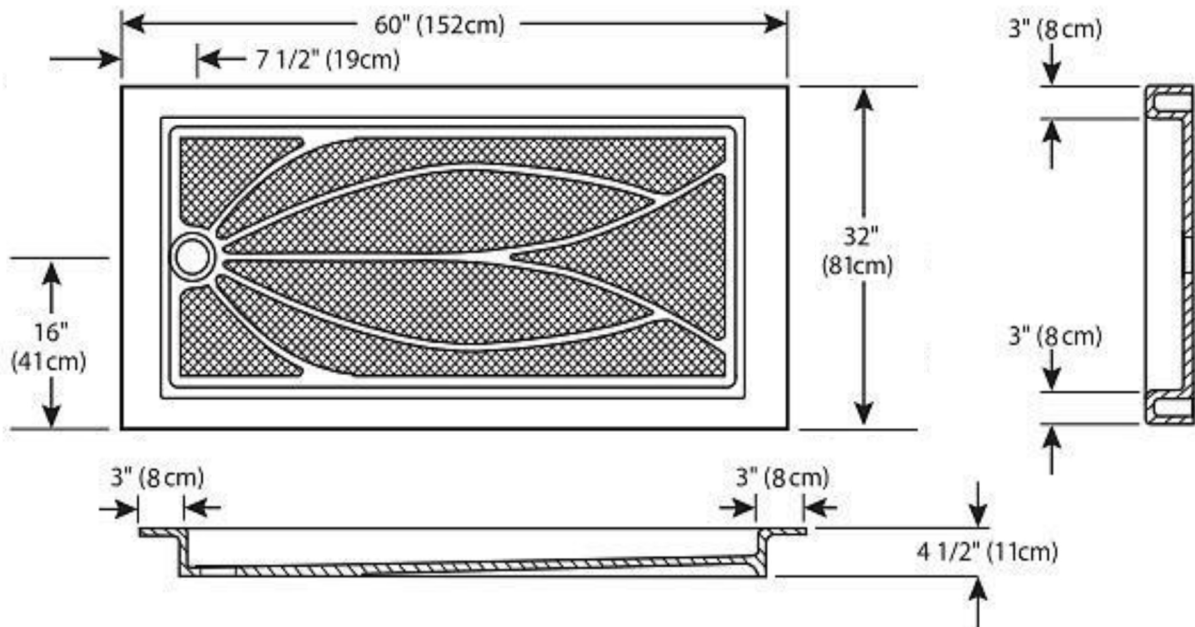


Standard Features:

- Available in left hand and right hand version.
- Designed for tub replacements.
- 2" thresholds on each side.
- Solid one-piece construction.
- Pre leveled, rests on subfloor.
- Mold and mildew resistant.
- "Grout free" and non-porous.
- Stain resistant and easy to clean.
- Waterproof and leakproof.

Specifications:

- Size: 32" x 60" size.
- Offset Drain.



NOTE: In the casting process slight shrinkage in length will occur 1/8" - 1/2"

www.ffeinternational.ca

660 Mgr Dubois, Suite 100, Saint-Jérôme, Québec J7Y 3L8

(450) 990-2002

(450) 432-3383