



SIMPLIFY RETAIL.™

SAFE-DOCK™ – THE FIRST UNIVERSAL CAR SEAT DOCKING STATION FOR SHOPPING CARTS

Allows parents with infants to conveniently transition from car to cart for a simpler and safer shopping experience.



SAFE-DOCK™

The world of retail can be a complicated place.
At Safestrapp™ we are committed to simplifying it.

SAFESTRAP.COM



A safer alternative for personal infant carriers.

Personal infant carriers are not designed to be placed on shopping carts and account for hundreds of accidents in retail stores each year. In fact, car seat and infant carrier manufacturers warn against using these products with shopping carts. The Safe-Dock is a safe and convenient device specifically designed to hold a personal infant carrier while shopping.

The deep contoured shape securely holds infant seats.



⚠ WARNING

Your child can fall out of the cart and suffer a serious head injury.

| | | | |
|---|---|--|---|
| ALWAYS buckle up child in cart seat and fasten securely. | STAY with your child at all times. | Do NOT allow child to ride in basket. | Do NOT use your own personal infant carrier or car seat. |
|---|---|--|---|

ONLY use cart seat for children ages 6-48 months and 15-35 lbs.

The shopping cart standard and new warning prohibits consumers from placing their infant carriers directly on a shopping cart.

Now with the innovative and simple Safe-Dock, personal infant carriers can be used safely with shopping carts.



Available in red, gray and blue.



FEATURES

1. Engineered for durability and long life
2. Holds personal infant carriers securely
3. Works with all infant seat carriers
4. All materials are non-toxic and colorfast

Safe-Dock™

Personal Infant Carrier Docking Station

The Safe-Dock's innovative design allows carts to nest easily. ▼



Instructions and warnings permanently attached. ▼



Heavy-duty harness secures the infant carrier to the Safe-Dock. ▼

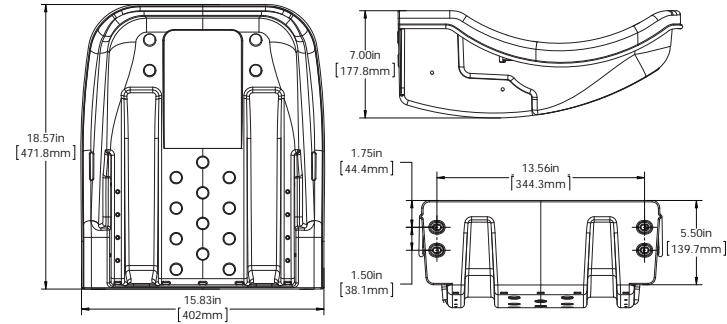
5. Meets all applicable standards and regulations
6. Easily nests to conserve floor space
7. Warning graphics and instructions permanently molded into Safe-Dock
8. Simple installation - permanently attaches to any shopping cart with two u-bolts



SIMPLIFY RETAIL.™

SPECIFICATIONS

Safe-Dock



| Component | Specification |
|------------------|----------------------------|
| Plastic | Polypropylene |
| Metal bracket | Powder Coated Steel |
| Fasteners | Corrosion Resistant |
| Safety Warning | ASTM F2372 compliant |
| Seat Belt | Nylon Webbing/Nylon Buckle |
| Weight Capacity | 50 lbs. / 22.68kgs |
| Weight Safe-Dock | 5 lbs / 2.27kgs. |

Corporate Office
SAFESTRAP COMPANY, INC.
 105 West Dewey Avenue, Building D, Suite 410
 Wharton, NJ 07885

Toll Free: 1.800.356.7796
 Phone: 973.442.4623 Fax: 973.442.8195

WWW.SAFESTRAP.COM