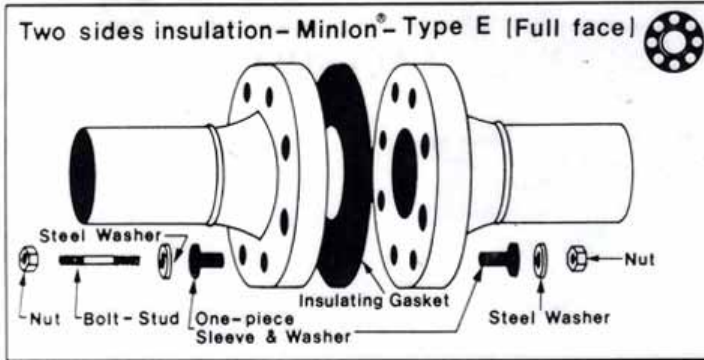
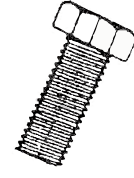
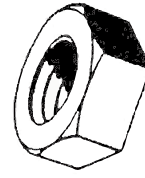
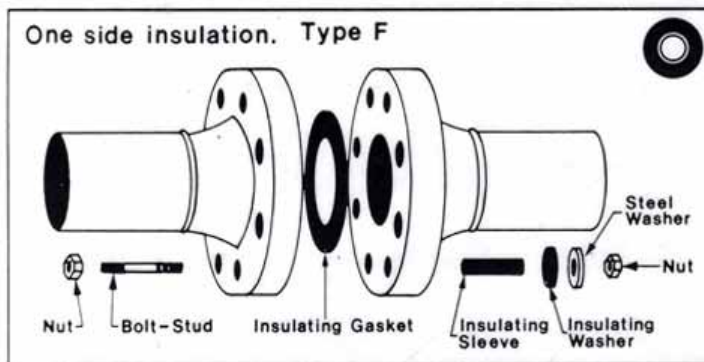


CAIN BOLT & GASKET INC.



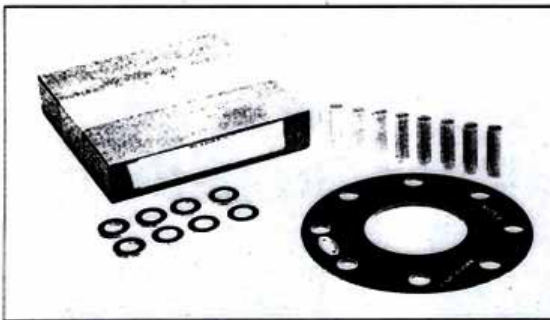
Type "E" gaskets perfectly center on precisely located bolt holes. Since their outside diameters are the same, foreign material is prevented from "shorting" the flange insulation.



Type "F" gaskets are made without bolt holes, to fit tightly inside the overall bolt hole circle of the flange faces. The outside diameter of the gasket fits tightly in place assuring a well centered position.



FLANGE INSULATION KIT



INSULATING SLEEVES

- POLYETHYLENE
- MYLAR®
- PHENOLIC
- EPOXY GLASS
- OTHERS



INSULATING WASHERS

- PHENOLIC
- EPOXY GLASS
- OTHERS



INSULATING GASKETS

- TYPE E - FULL FACE
- TYPE F - RING
- TYPE D - RTJ, BX

NEOPRENE FACED PHENOLIC PHENOLIC

EPOXY GLASS OTHERS

SEAL RING

- NITRILE, BUNA-N
- VITON
- OTHERS



MOLDED ONE-PIECE SLEEVE & WASHER

- MINLON®

[Standard Gasket Width - 1/8"]

DISCLAIMER: Properties and application parameters shown in this manual are presented in good faith but no warranty is expressed or implied. Failure to properly use gasket material could result in serious injury or death.

7724 7th ave South Seattle, WA 98108
 Phone 206-763-6460
 Fax 206-763-6878
 Email sales@cainboltandgasket.com