



Coffee roasting equipment



_Model: RM30 RAS

RM30

IMF modern compact commercial roasters are the best that current technology can provide in the coffee roasting industry. They can roast tonnes of coffee batch after batch and still give even consistency, regardless of whether it's the first or last batch of the day thanks to unique VORTEX and EQUALIZER system. The touch-screen PLC can automatically control every stage of the roasting process with the touch of a finger.

These roasters use a specially designed combustion chamber that simultaneously heats the roaster & treats the emissions. This technology saves at least 30 per cent in gas consumption compared to traditional machines with separate afterburner.

"VORTEX" system mixes ambient air into the hot airstream before it enters the roaster via an electronically operated modulating valve, so the air is already at the correct temperature before entering the drum, giving consistently uniform temperature of the hot airstream through the entire roasting process.

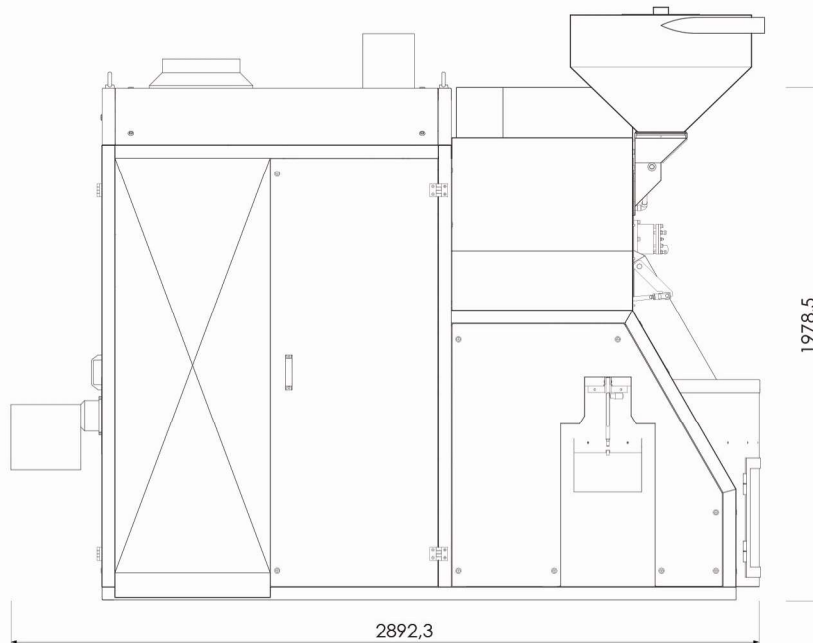
"EQUALIZER" ensures the same volume of air enters into the roaster. This feature delivers equal volumes of hot air both inside and surrounding the perforated alloy drum surface, giving even heat distribution across the entire surface of the coffee beans, and eliminating any temperature fluctuations inside the drum.

Made in Italy

IMF srl - INDUSTRIA MACCHINE FERRARESE - Via Scienza 6 - 45030 Occhiobello (RO) - Italy
Tel. +39 0425 760109 - Fax +39 0425 761126 - info@imf-srl.com - www.imf-srl.com



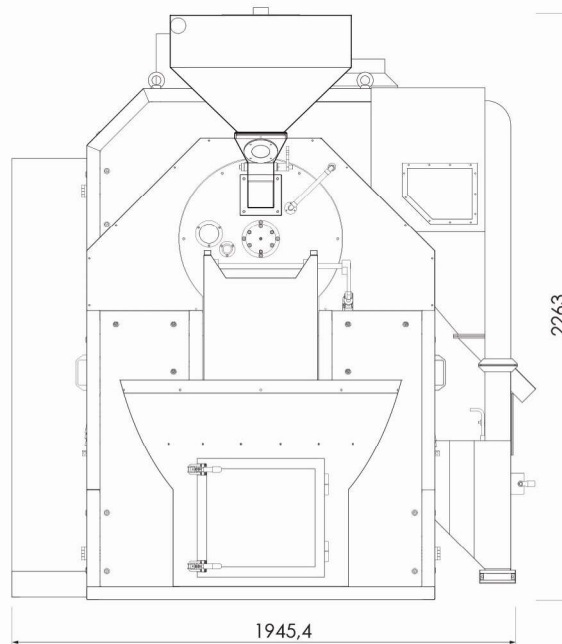
Coffee roasting equipment



Right view

IMF ROASTING TECHNOLOGY

- Indirect flame
- Forced hot air
- Perforated drum
- Integrated afterburner
- Recycling air system
- Low emissions
- Energetic efficiency



Front view

OPTIONALS

- Continuous chaff extraction
- Full automatic control PLC
- Up to 100 roasting profiles
- Integrated destoner
- Closed machine

**INDUSTRIAL ROASTERS
RM 30**

MODEL	Kg/CYCLE	OUTPUT (Kg/h)	T. CYCLE (min)	POWER (kW)	FUEL	Ø PIPING (mm)
RM 30	30	120	12/18	140	natural gas/LPG	200

The given data are to be considered approximate