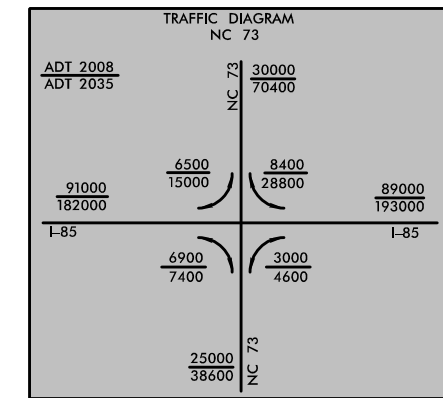
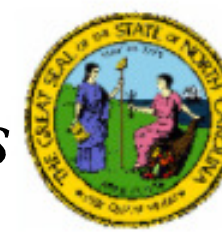


**NOTE:**  
Full Control of Access is defined as a connection to a facility provided only via ramps at interchanges. All cross-streets are grade-separated. No private driveway connections are allowed.

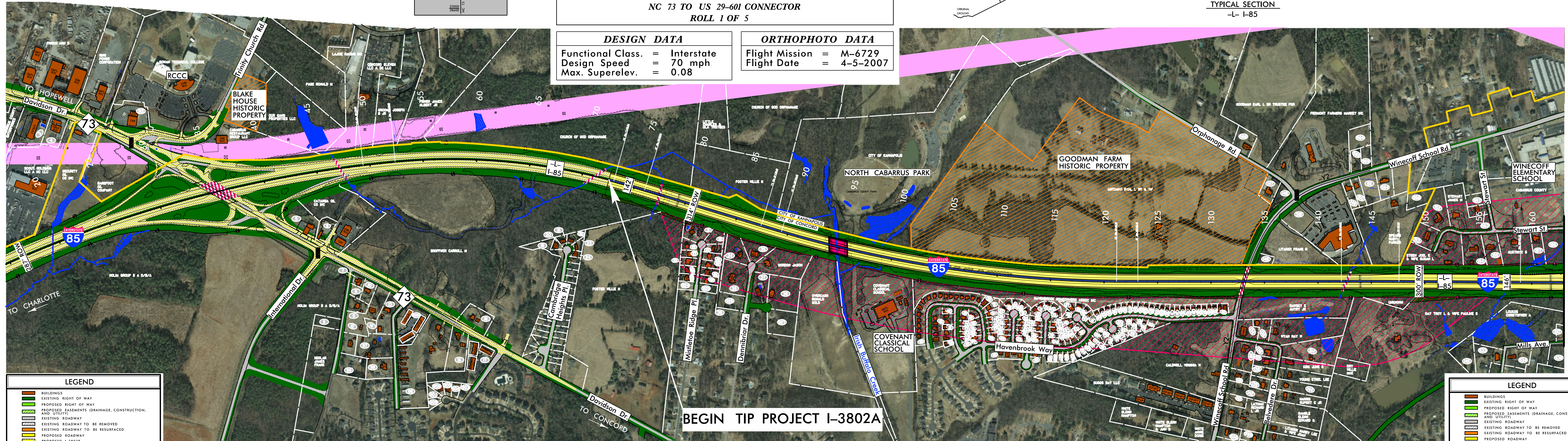
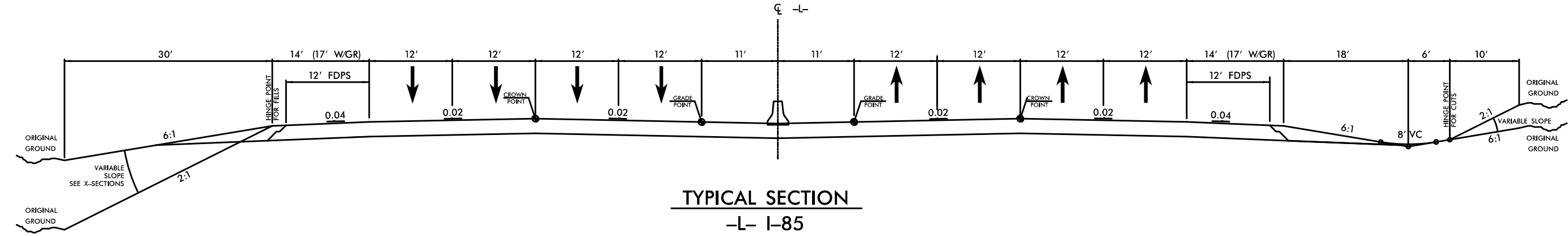


**PUBLIC MEETING MAP**  
PROJECT 36780.1.1 (I-3802I-3610B-5365)  
F.A. PROJECT FANHIMF-085-2(61)55  
**CABARRUS AND ROWAN COUNTIES**  
I-85 WIDENING AND INTERCHANGE  
IMPROVEMENTS FROM NORTH OF  
NC 73 TO US 29-601 CONNECTOR  
ROLL 1 OF 5



**DESIGN DATA**  
Functional Class. = Interstate  
Design Speed = 70 mph  
Max. Superelev. = 0.08

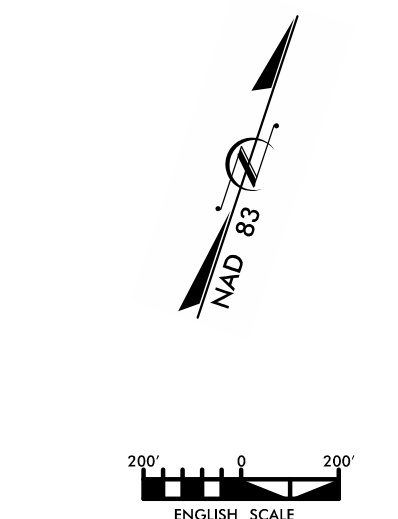
**ORTHO PHOTO DATA**  
Flight Mission = M-6729  
Flight Date = 4-5-2007



BEGIN TIP PROJECT I-3802A

**LEGEND**

- BUILDINGS
- EXISTING RIGHT OF WAY
- PROPOSED RIGHT OF WAY
- PROPOSED EASEMENTS (DRAINAGE, CONSTRUCTION, AND UTILITY)
- EXISTING ROADWAY
- EXISTING ROADWAY TO BE REMOVED
- EXISTING ROADWAY TO BE RESURFACED
- PROPOSED ROADWAY
- PROPOSED I-3802B
- PROPOSED GRASS MEDIAN
- TEMPORARY ROADWAY / DETOURS
- PROPOSED STRUCTURES (ISLAND, SIDEWALK, CURB AND GUTTER)
- EXISTING STRUCTURES TO BE RETAINED
- EXISTING STRUCTURES TO BE REMOVED
- HISTORIC PROPERTY
- LAKES, RIVER, STREAMS AND PONDS
- RAILROAD RIGHT OF WAY
- EXISTING UTILITY EASEMENT
- CEMETERIES
- PROPOSED RIGHT OF WAY
- PROPOSED FULL CONTROL OF ACCESS
- EXISTING FULL CONTROL OF ACCESS
- PRESENT ADT
- FUTURE ADT
- PROPERTY LINES
- EXISTING TRAFFIC SIGNAL
- PROPOSED TRAFFIC SIGNAL
- CITY LIMITS BOUNDARY
- WETLAND LIMITS BOUNDARY
- WATERSHED AREA
- NOISE STUDY AREA



**PRELIMINARY PLANS**  
DO NOT USE FOR CONSTRUCTION

**PROPERTY OWNERS**

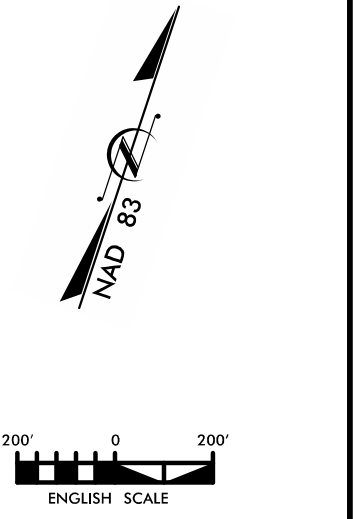
1. YOUTH CARE MANAGEMENT LLC	21. MANKTALA PUNAM	41. LEBBY MICHELE	61. FANNIE MAE	81. LEWIS DERRICK	101. ABENDROTH DAWN	121. LITAKER FRANK R	141. TOMLIN ALLEN H & WIFE	161. JAMES HUBERT CLAIN
2. BREWER JAMES E	22. MONEL CHRISTOPHER L	42. GONEY LASHANDA S	62. ADAMS KENNETH JR	82. HOWE LORENZO F	102. JOSEPH MARTHA ANTONETTE	122. ELSTON RICHARD M	142. SHAW TAMMY L	162. HOLSINGER BOBBY R
3. PROPT BROS DISTX INC	23. SCHULTZ JACK H & WIFE SANDRA P	43. WILKIE CONSTANCE S	63. BAILEY KENNETH JR	83. MATA JOSE E	103. MILKIE JENNIFER MELISSA	123. MUSIC CHRISTOPHER D	143. KIRK KENNETH L & WIFE BRENDA I	163. LITAKER JAMES F
4. HILLCREST FOODS INC/GA CORP	24. YONG RONALD DALE JR	44. HELTON DALE A	64. HORNBACK JENNIFER LEA	84. PERKINS JERRY L	104. CALLAHAN MARISHA	124. WEBB PHYLLIS F	144. PENNY LANE LLC/NC LLC	164. LEE ROBERT R
5. ANDERSON JON B	25. CHASTAIN GARY LEE & WIFE	45. WAGNER GARY LEE & WIFE	65. JOYCE SHEILA D	85. ANDERSON KAREN/TRUSTEE	105. C & S OF CONCORD LLC	125. HPP GEORGE L	145. NATIONAL WELDERS SUPPLY	165. GOODMAN MARK CHRISTOPHER
6. HINSON GERALD W & KAMBERLY M	26. COX ADAM L	46. BYRD GEORGE	66. FORD YOLANDA D	86. TRULL JASON M	106. GOSDALE JOHNNY R	126. GRADALE JOHNNY R	146. WINECOFF COMMONS LLC A NC LLC	166. COPPERFIELD INC
7. SURRATT ROBERT L & BETTY B	27. THOMPSON CHARLES R	47. THOMPSON CHARLES R	67. KOHL REBECCA S	87. ARELLANO CRUZ	107. GASKAY JOE FRANKLIN SR	127. CASKEY JOE FRANKLIN SR	147. HAWKINS JEFFREY C & WIFE	167. HAWKINS JEFFREY C & WIFE
8. WHITE DIANE PRESSLEY	28. CARMICHAEL WILLIAM C	48. CARMICHAEL WILLIAM C	68. STEWART CHARLES A	88. WALKUP DANIEL	108. PURSER STEPHANE A	128. MCLANNON FRANCES B	148. HISSONG QUAY L & KATHLEEN M	168. ROEHNEBECK MICHAEL J
9. PETHEL H B FAMILY LTD	29. FENDERGRASS LARRY WAYNE	49. FENDERGRASS LARRY WAYNE	69. JACKSON MICHAEL	89. SEGOVIA MARCO	109. BURNS RYVERLO D	129. TURNER SCOTT A & WIFE SHERY A	149. TURNER SCOTT A & WIFE SHERY A	169. GANEV VICKIE
10. BARREE CHARLES D	30. SASTOULO LUIS MIGUEL & MYRA H	50. SASTOULO LUIS MIGUEL & MYRA H	70. BURRIS TERRY	90. WHITLEY JASON AND	110. JACKSON MICHELLE	130. MARTIN JUANITA B	150. ROBERTS DALE S & WIFE LINDA H	170. MCMULLEN OTIS JR
11. LASLEY REECE W	31. WELCH CHRISTOPHER D	51. WELCH CHRISTOPHER D	71. HERRERA JALISSA D	91. HERRERA JALISSA D	111. VARNEY DAVILE J	131. DAWSEY E AULTRY JR	151. CHAN LISA	171. CHAN LISA
12. BARREE REBECCA ANN	32. TERRES BEND HOMEOWNERS ASSOC	52. TERRES BEND HOMEOWNERS ASSOC	72. ISENGOUR CYNTHIA	92. ISENGOUR CYNTHIA	112. FILAPEK MARY	132. OHSWORTH RICHARD J	152. SKRAGOS JERRY D AND	172. SKRAGOS JERRY D AND
13. CALLAWAY BETTY B	33. HOMELIFE COMMUNITES GROUP	53. HOMELIFE COMMUNITES GROUP	73. LYERLY NANCY BOYD II	93. LYERLY NANCY BOYD II	113. FOX KEVIN	133. STREWELL NANCY HINSON	153. WHELCH SHARON E	173. WHELCH SHARON E
14. OAK PARK HOMEOWNERS ASSOC INC	34. SIMPSON CHERYL S	54. SIMPSON CHERYL S	74. DELGADO JULIAN	94. DELGADO JULIAN	114. BERGER JERRY	134. FORRESTER DONNA JEAN G	154. LONG SAMUEL JR	174. LONG SAMUEL JR
15. CAMBRIDGE COMMONS INMOWNS ASSO	35. HARWOOD CHRISTOPHER S	55. HARWOOD CHRISTOPHER S	75. GRACIANO HENRY HERNANDEZ	95. GRACIANO HENRY HERNANDEZ	115. PERRELL ALU J	135. STAMBERG HAROLD	155. PAULLEY EDWIN W & JENNIFER	175. STEPHENS DANA R & WIFE LINDA E
16. CONYOR JEFFREY E	36. FRY DAVID C	56. FRY DAVID C	76. WILLIAMS JAVVIS	96. WILLIAMS JAVVIS	116. DOLA JAMES S	136. STANLEY KATHERINE S AND	156. WOODY LEONARD D	176. RODGERS JOHN A & WIFE FRANCES K
17. MONKLEEN HILL W	37. MOORE LAWRIAT AND	57. MOORE LAWRIAT AND	77. THOMAS DAVID R	97. THOMAS DAVID R	117. MULLER MATTHEW LEE	137. OVERCAMP DAVID A - TRUSTEE	157. KUNG SUSAN P	177. HALLWAY JOHN A - TRUSTEE
18. WILSON DAVID	38. THOMAS DAVID R	58. THOMAS DAVID R	78. THOMAS DAVID R	98. THOMAS DAVID R	118. ACCAMPANO JULIO D	138. BENTON DAVID R	158. LIZAR ROBERT	178. ENGLISH SANDRA KAY
19. STEWART MYRON L	39. VALL JASON R &	59. VALL JASON R &	79. TAYLOR TONY M JR	99. TAYLOR TONY M JR	119. PALMER ROBERT A	139. STANLEY ROY MARTIN	159. BEAR LALAN W	179. STEVEN JOEL E & WIFE SUSAN L
20. WAGNER LYNCH L	40. TAYLOR TONY M JR	60. TAYLOR TONY M JR	80. TAYLOR TONY M JR	100. TAYLOR TONY M JR	120. HAVENBROOK HOMEOWNERS ASSOC IN	140. FELDER DANIEL L	160. ANDERSON LADONNA	180. SPEAR RUBY L PARKER & HSB
21. RICHARDSON ATHAN	41. RICHARDSON ATHAN	61. RICHARDSON ATHAN	81. RICHARDSON ATHAN	101. RICHARDSON ATHAN	121. JONSON RONALD A	141. MASON BETTY L & LARRY G LEPLER	161. PERICE BENJAMIN D	181. LITAKER TOLA J JR
22. DANNA JEFFREY L	42. DANNA JEFFREY L	62. DANNA JEFFREY L	82. DANNA JEFFREY L	102. DANNA JEFFREY L	122. BENTON DANNY D & TAMERA T	142. DE ANTONIO V	162. SMOX FANGLIA E	182. JEWELL CORPORATION A NC CORP

**PROPERTY OWNERS**

121. LITAKER FRANK R	141. TOMLIN ALLEN H & WIFE	161. JAMES HUBERT CLAIN
122. ELSTON RICHARD M	142. SHAW TAMMY L	162. HOLSINGER BOBBY R
123. MUSIC CHRISTOPHER D	143. KIRK KENNETH L & WIFE BRENDA I	163. LITAKER JAMES F
124. WEBB PHYLLIS F	144. PENNY LANE LLC/NC LLC	164. LEE ROBERT R
125. HPP GEORGE L	145. NATIONAL WELDERS SUPPLY	165. GOODMAN MARK CHRISTOPHER
126. GRADALE JOHNNY R	146. WINECOFF COMMONS LLC A NC LLC	166. COPPERFIELD INC
127. CASKEY JOE FRANKLIN SR	147. HAWKINS JEFFREY C & WIFE	167. HAWKINS JEFFREY C & WIFE
128. MCLANNON FRANCES B	148. HISSONG QUAY L & KATHLEEN M	168. ROEHNEBECK MICHAEL J
129. TURNER SCOTT A & WIFE SHERY A	149. TURNER SCOTT A & WIFE SHERY A	169. GANEV VICKIE
130. MARTIN JUANITA B	150. ROBERTS DALE S & WIFE LINDA H	170. MCMULLEN OTIS JR
131. DAWSEY E AULTRY JR	151. CHAN LISA	171. CHAN LISA
132. OHSWORTH RICHARD J	152. SKRAGOS JERRY D AND	172. SKRAGOS JERRY D AND
133. STREWELL NANCY HINSON	153. WHELCH SHARON E	173. WHELCH SHARON E
134. FORRESTER DONNA JEAN G	154. LONG SAMUEL JR	174. LONG SAMUEL JR
135. VOSS RICHARD	155. PAULLEY EDWIN W & JENNIFER	175. STEPHENS DANA R & WIFE LINDA E
136. STANLEY KATHERINE S AND	156. WOODY LEONARD D	176. RODGERS JOHN A & WIFE FRANCES K
137. OVERCAMP DAVID A - TRUSTEE	157. KUNG SUSAN P	177. HALLWAY JOHN A - TRUSTEE
138. BENTON DAVID R	158. LIZAR ROBERT	178. ENGLISH SANDRA KAY
139. STANLEY ROY MARTIN	159. BEAR LALAN W	179. STEVEN JOEL E & WIFE SUSAN L
140. FELDER DANIEL L	160. ANDERSON LADONNA	180. SPEAR RUBY L PARKER & HSB
141. MASON BETTY L & LARRY G LEPLER	161. PERICE BENJAMIN D	181. LITAKER TOLA J JR
142. DE ANTONIO V	162. SMOX FANGLIA E	182. JEWELL CORPORATION A NC CORP
143. MCCOY GARY W	163. BAKER MARY P	
144. DEESE JENNIFER TREZE	164. KATSNOWS PETER	

**LEGEND**

- BUILDINGS
- EXISTING RIGHT OF WAY
- PROPOSED RIGHT OF WAY
- PROPOSED EASEMENTS (DRAINAGE, CONSTRUCTION, AND UTILITY)
- EXISTING ROADWAY
- EXISTING ROADWAY TO BE REMOVED
- EXISTING ROADWAY TO BE RESURFACED
- PROPOSED ROADWAY
- PROPOSED I-3802B
- PROPOSED GRASS MEDIAN
- TEMPORARY ROADWAY / DETOURS
- PROPOSED STRUCTURES (ISLAND, SIDEWALK, CURB AND GUTTER)
- EXISTING STRUCTURES TO BE RETAINED
- EXISTING STRUCTURES TO BE REMOVED
- HISTORIC PROPERTY
- LAKES, RIVER, STREAMS AND PONDS
- RAILROAD RIGHT OF WAY
- EXISTING UTILITY EASEMENT
- CEMETERIES
- PROPOSED RIGHT OF WAY
- PROPOSED FULL CONTROL OF ACCESS
- EXISTING FULL CONTROL OF ACCESS
- PRESENT ADT
- FUTURE ADT
- PROPERTY LINES
- EXISTING TRAFFIC SIGNAL
- PROPOSED TRAFFIC SIGNAL
- CITY LIMITS BOUNDARY
- WETLAND LIMITS BOUNDARY
- WATERSHED AREA
- NOISE STUDY AREA



**PRELIMINARY PLANS**  
DO NOT USE FOR CONSTRUCTION

THE SHADDED AREA INDICATES NOISE STUDY LOCATIONS FOR WHICH POTENTIAL NOISE BARRIERS MAY BE IDENTIFIED. MORE DETAILED ANALYSES WILL OCCUR DURING FINAL PROJECT DESIGN TO DETERMINE WHETHER THESE POTENTIAL BARRIERS ARE NECESSARY TO ACHIEVE THE DESIGNATED NOISE ABATEMENT LEVELS. CONSTRUCTION WILL OCCUR PENDING PUBLIC APPROVAL.

**PUBLIC MEETING MAP**  
PROJECT 36780.1.1 (I-3802I-3610B-5365)  
F.A. PROJECT FANHIMF-085-2(61)55  
**CABARRUS AND ROWAN COUNTIES**  
I-85 WIDENING AND INTERCHANGE  
IMPROVEMENTS FROM NORTH OF  
NC 73 TO US 29-601 CONNECTOR  
ROLL 1 OF 5

**PUBLIC MEETING MAP**  
PROJECT 36780.1.1 (I-3802I-3610B-5365)  
F.A. PROJECT FANHIMF-085-2(61)55  
**CABARRUS AND ROWAN COUNTIES**  
I-85 WIDENING AND INTERCHANGE  
IMPROVEMENTS FROM NORTH OF  
NC 73 TO US 29-601 CONNECTOR  
ROLL 1 OF 5