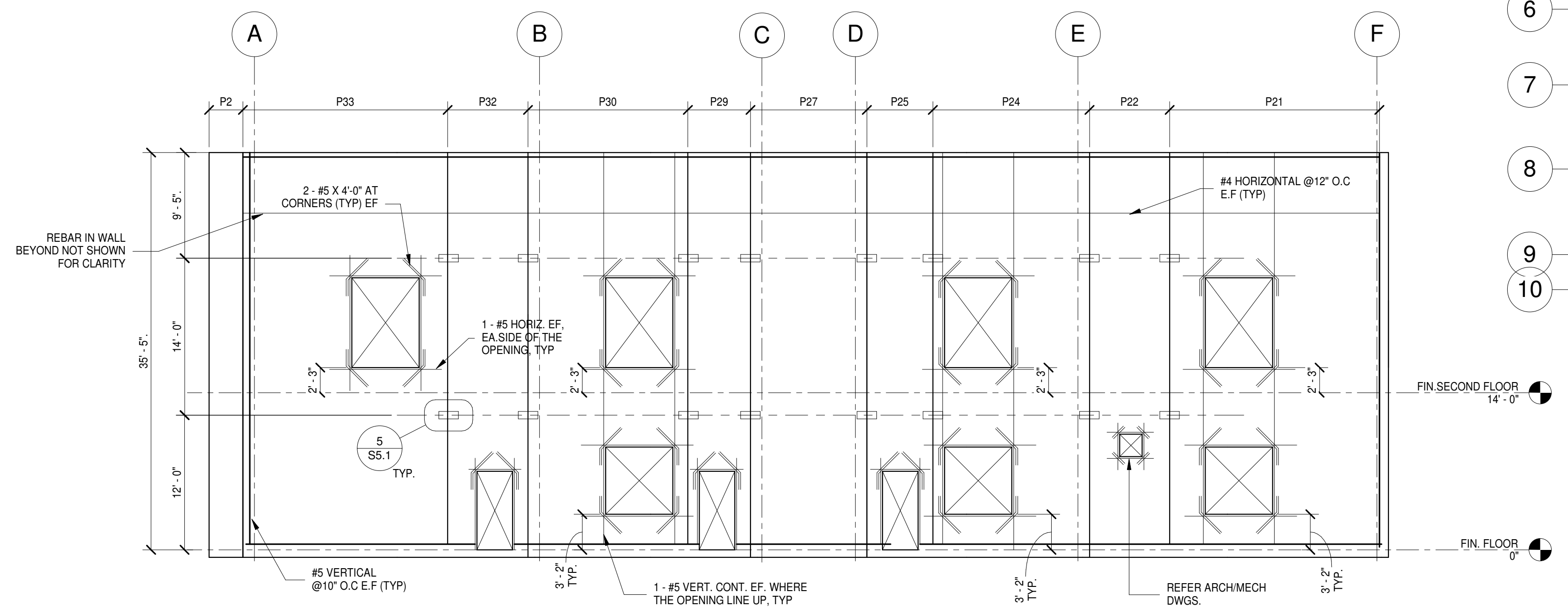
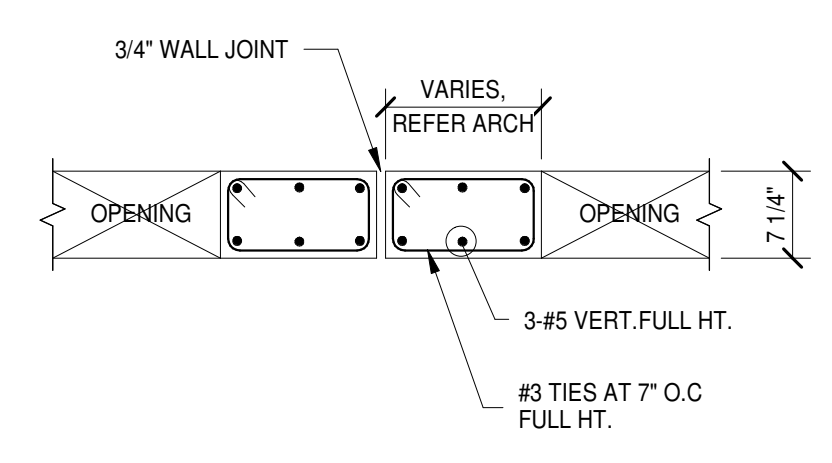


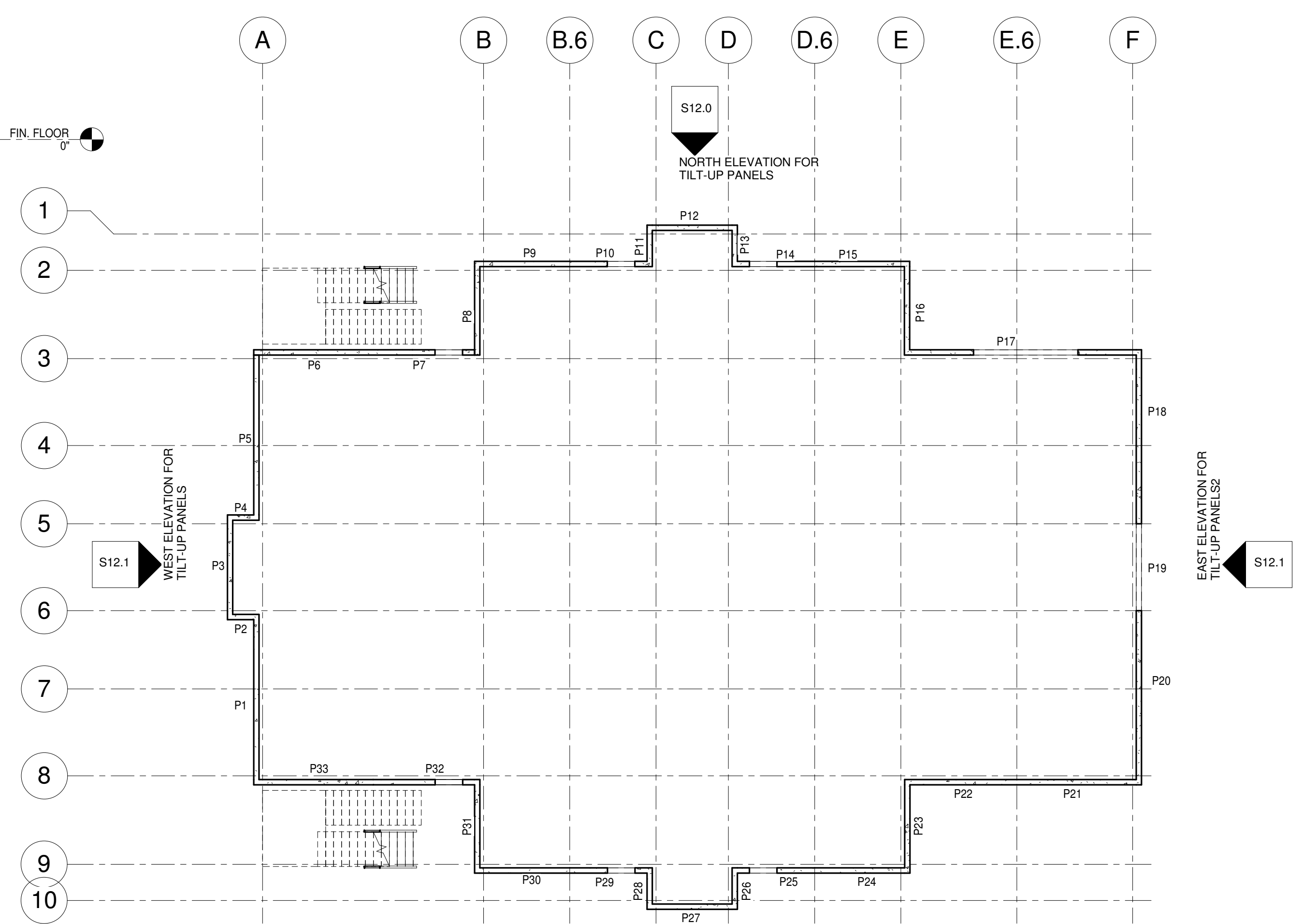
2 NORTH ELEVATION FOR TILT-UP PANELS  
S12.0 1/8" = 1'-0"



1 SOUTH ELEVATION FOR TILT-UP PANELS  
S12.0 1/8" = 1'-0"



4 DETAIL  
S12.0 3/4" = 1'-0"



3 TILT-UP PANELS PLAN VIEW  
S12.0 3/32" = 1'-0"

- NOTES:**
1. VERIFY ALL DIMENSIONS, ELEVATIONS WITH ARCHITECTURAL DRAWINGS BEFORE COMMENCING CONSTRUCTION.
  2. REFER TO ARCHITECTURAL AND MECHANICAL DRAWINGS FOR LOCATIONS AND DIMENSIONS OF WALL PENETRATIONS.
  3. PANEL DESIGNATIONS ARE FOR GENERAL REFERENCE ONLY. FINAL PANEL NUMBERING AND CONFIGURATION SHALL BE BY PANEL SUB-CONTRACTOR. REFER TO ARCHITECTURAL ELEVATIONS FOR PANEL FINISHES, REVEALS AND OTHER ARCHITECTURAL FEATURES.

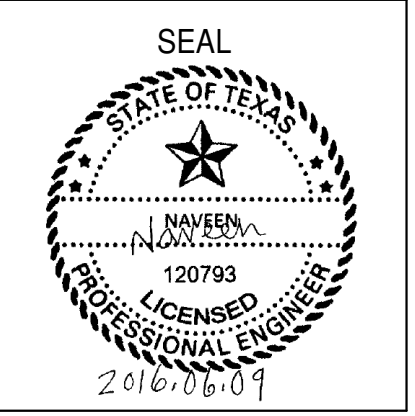


**RADHA KRISHNA TEMPLE**  
Owner  
ALLEN TEXAS

PROJECT

JOB NUMBER: 16DLS003  
ISSUE DATE: 04-22-2016  
DRAWN BY: SDB  
DESIGNED BY: NAV

REVISIONS

SHEET NUMBER  
**S12.0**

TILT-UP PANEL PLAN AND ELEVATIONS