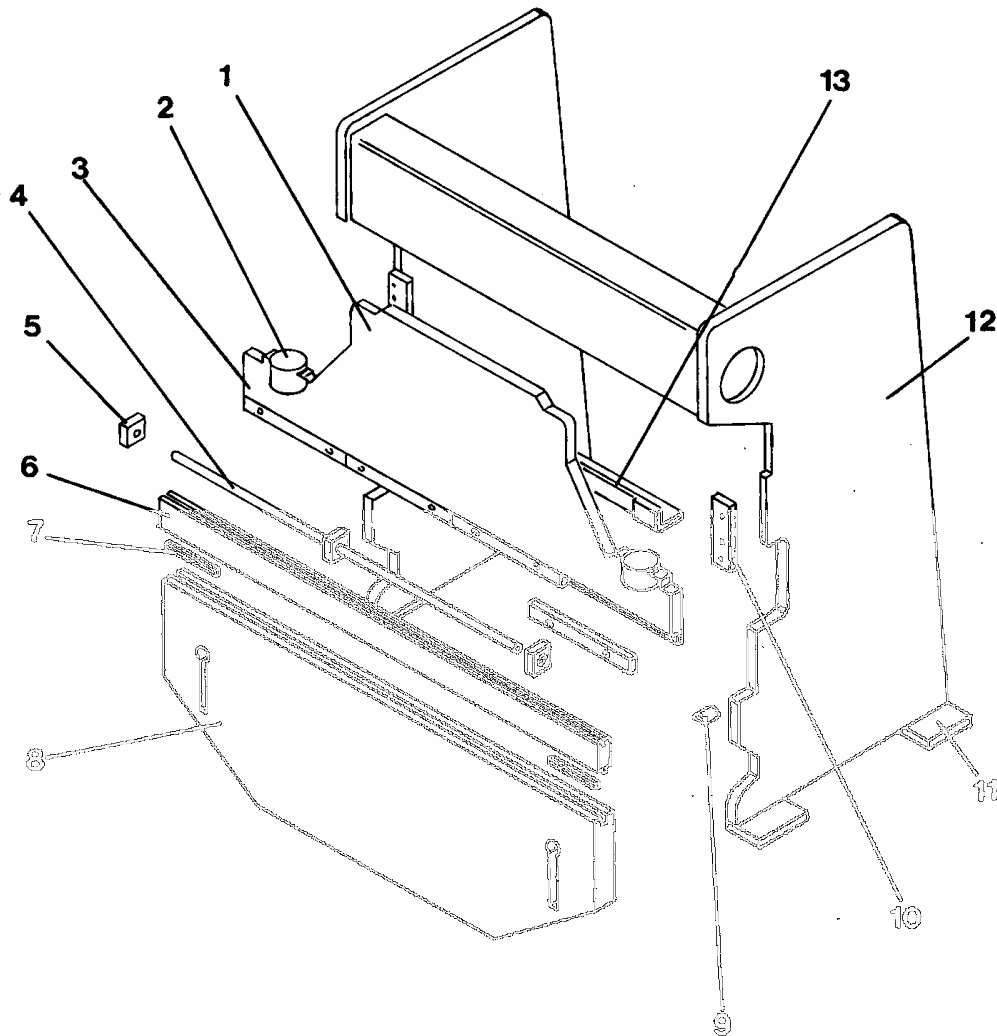
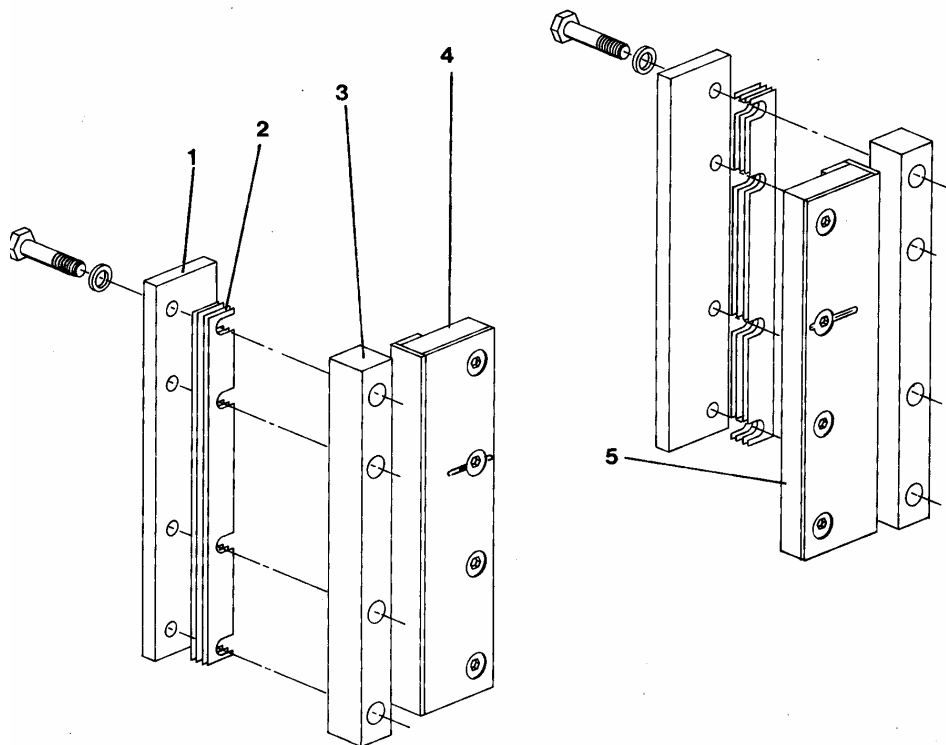


60 TON ROTARY HYDRA-MECHANICAL PRESS BRAKE FRAME GROUP

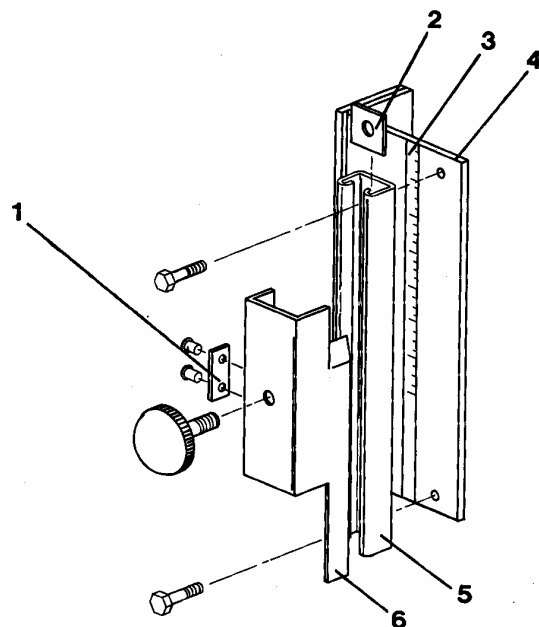


<u>ITEM NO.</u>	<u>QTY</u>	<u>PART DESCRIPTION</u>	<u>PART NUMBER</u>
1	1	Ram Weldment (8 ft.)	7235-301
2	2	Housing, Ball Seat	7135-558
3	5	Bar, Clamp	7185-426
4	1	Tubing	3859-210
5	3	Bracket	7486-315
6	1	Holder, Die	7435-723
7	1	Key, Die Holder	7485-083
			7485-084
8	1	Bed	7435-164
9	2	Pillow, Bed	7435-107
10		See "DETAIL A"	
11	4	Plate Foot	7135-561
12	1	Frame Weldment	7235-273
13	1	Brace, Ram	7285-495

60 TON ROTARY HYDRA-MECHANICAL PRESS BRAKE



DETAIL A - GIBS & WAYS



HI-LO CYCLE ADJUSTMENT

DETAIL A - GIBS & WAYS

ITEM NO. QTY PART DESCRIPTION

1	1	Way, Left
2	2	Gib
3	1	Shims
4	2	Bar, Gib
5	1	Way, Right

PART NUMBER

7335-077
7435-736
-
7435-735
7335-078

HI-LO CYCLE ADJUSTMENT

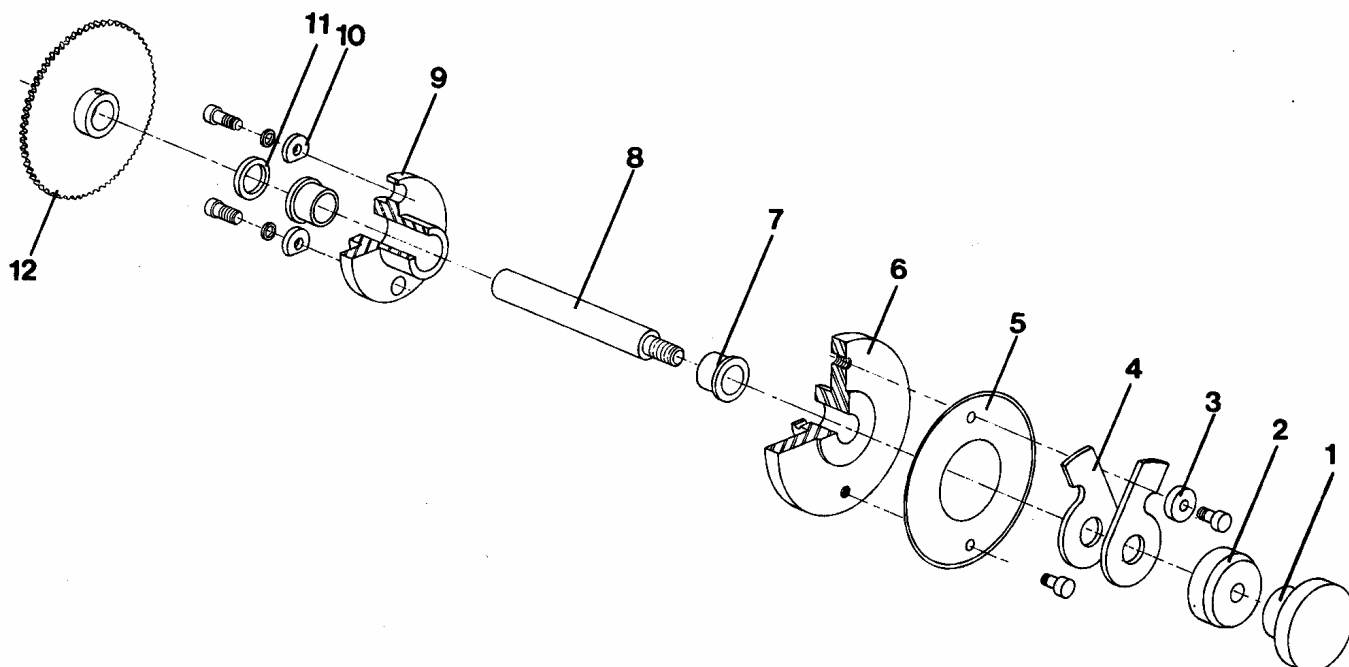
ITEM NO. QTY PART DESCRIPTION

1	1	Pointer, Ram Adjust
2	1	Nut, Switch Trip
3	1	Bracket, Scale
4	1	Bracket, Angle
5	1	Channel, Limit Trip
6	1	Plate, Limit Trip

PART NUMBER

7485-480
7485-309
7485-407
7235-174
7435-128
7435-407

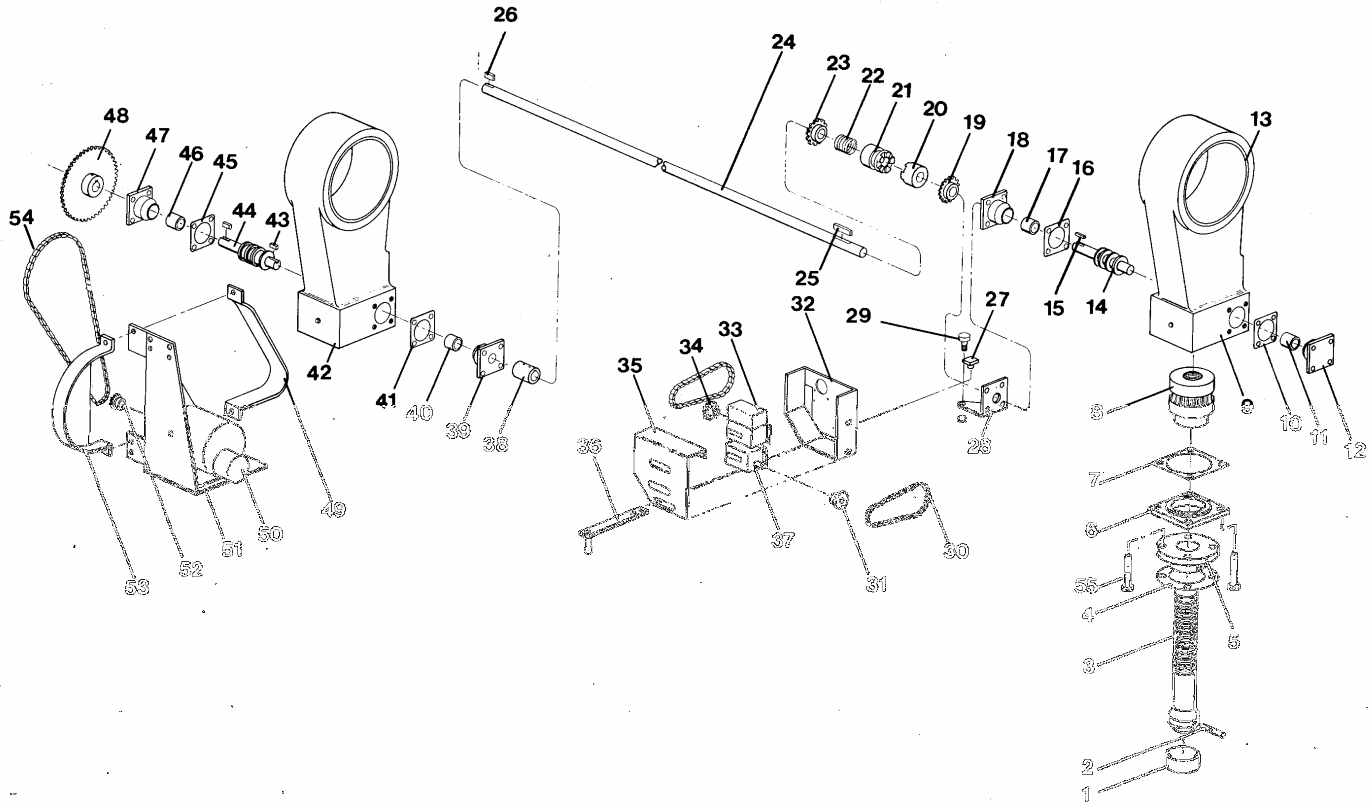
60 TON HYDRA-MECHANICAL PRESS BRAKE STROKE LENGTH ADJUSTMENT



<u>ITEM NO.</u>	<u>QTY</u>	<u>PART DESCRIPTION</u>	<u>PART NUMBER</u>
1	1	Knob	2203-016
2	1	Clamp	7435-660
3	1	Stop, Stroke Control Arm	7435-693
4	2	Arm, Stroke Adjustment	7435-535
5	1	Indicator	2203-303
6	1	Hub, Stroke Adjustment	7435-664
7	2	Bearings	3121-080
8	1	Shaft, Stroke Control	7435-659
9	1	Bearing Housing, Stroke Adjustment	7435-661
10	2	Washers, Stroke Adjustment Housing	7435-662
11	1	Spacer, Sprocket	7435-687
12	1	Sprocket, Stroke Adjustment	7435-665
*13	1	Cover	7235-297

* Not Shown

60 TON HYDRA-MECHANICAL PRESS BRAKE RAM ELEVATION ASSEMBLY

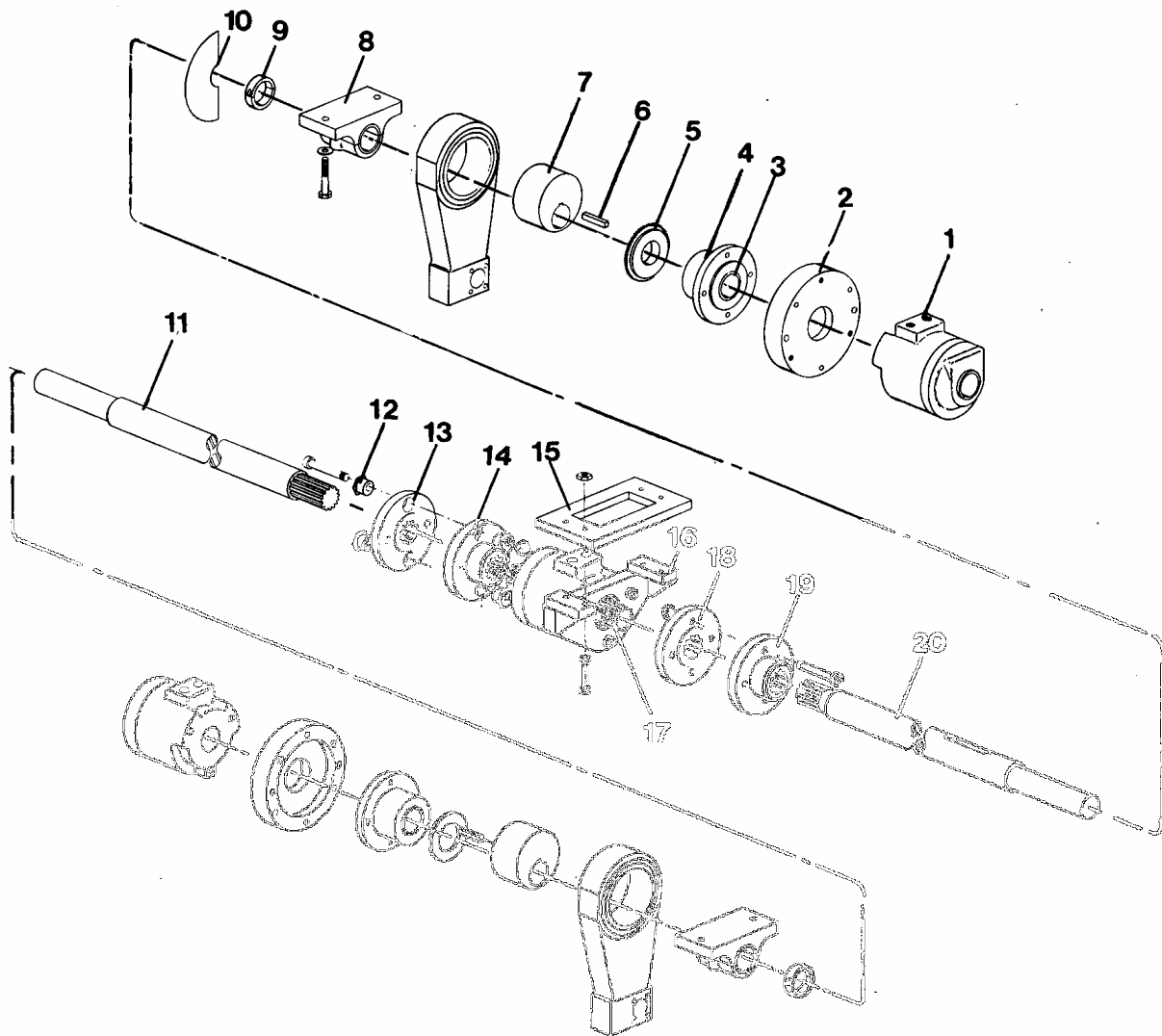


ITEM NO.	QTY	PART DESCRIPTION	PART NUMBER
1	2	Ball Seat	3124-050
2	4	Dowel Pin	3333-015
3	2	Elevation Screw	7435-214
4		Shim	
5	2	Ball Retainer	7035-143
6	2	Nut Retainer	7035-052
7		Shim	
8	2	Elevation Nut	3370-025
9	1	R.H. Pitman	7035-138
10		Shim	
11	1	Bearing	3120-051
12	1	Worm Shaft Bearing	7035-065
13	1	Bushing	3134-643
14	1	R.H. Worm Shaft	7435-388
15	1	Key - 3/16" x 1"	3301-422
16		Shim	
17	1	Bearing	3120-253
18	1	Worm Shaft Bearing	7035-050
19	1	Clutch Sprocket	7135-455
20	1	Clutch Body	7135-328
21	1	Clutch Shaft	7135-409
22	1	Spring	3504-112
23	1	Elevation Shaft Sprocket	7435-232
24	1	Elevation Shaft - 35-4 ft.	7435-444
		35-6 ft.	7435-392
		35-8 ft.	7435-391

**60 TON HYDRA-MECHANICAL PRESS BRAKE
RAM ELEVATION ASSEMBLY**

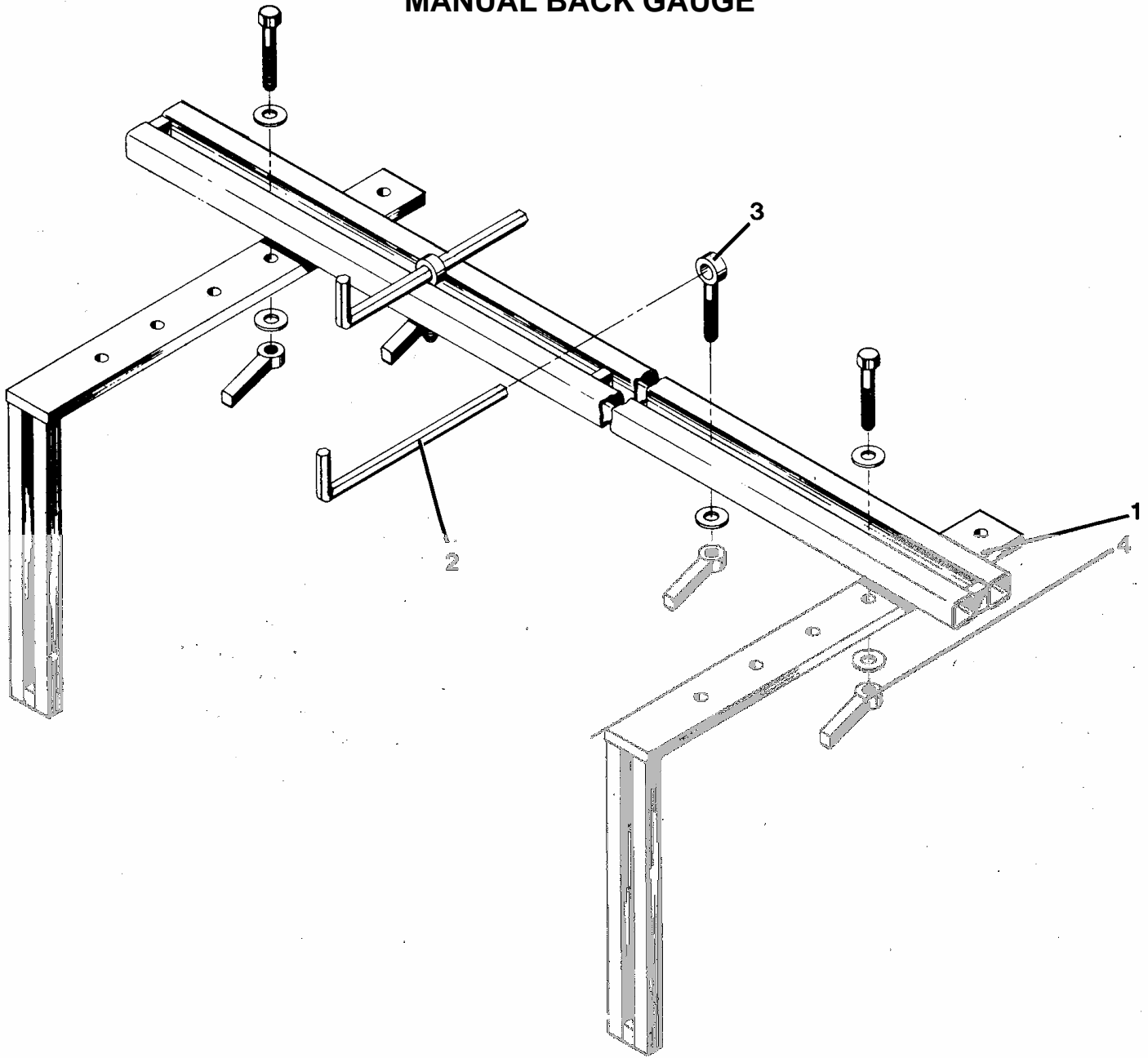
ITEM NO.	QTY	PART DESCRIPTION	PART NUMBER
25	1	Key - 3/16" x 2"	3301-426
26	1	Key - 3/16" x 1"	3301-422
27	1	Bearing Assembly, Clutch Release	7335-013
28	1	Clutch Lever Fulcrum	7435-028
29	1	Shoulder Screw	3307-002
30	2	Roller Chain	3430-030
31	1	Sprocket	3412-039
32	1	Counter Housing	7235-157
33	1	Counter	2201-243
34	1	Sprocket	3412-039
35	1	Counter Housing Cover	7435-387
36	1	Lever Assembly	7335-012
37	1	Counter	2201-238
38	1	Coupling	7435-062
39	1	Worm Shaft Bearing	7035-050
40	1	Bearing	3120-051
41		Shim	
42	1	L.H. Pitman	7035-139
43	2	Key - 3/16" x 3/4"	3301-421
44	1	L.H. Worm Shaft	7435-386
45		Shim	
46	1	Bearing	3120-253
47	1	Worm Bearing Housing	7035-140
48	1	Sprocket	7435-441
49	1	Chain Guard	7435-394
50	1	Motor - 1 HP, 1800 RPM	4212-113
51	1	Motor Bracket	7235-160
52	1	Ram Elevation Drive Sprocket	7435-447
53	1	Chain Guard	7235-165
54	1	Roller Chain #35	3430-035
55	16	Socket Screws	3303-427

60 TON HYDRA-MECHANICAL PRESS BRAKE ECCENTRIC DRIVE



<u>ITEM NO.</u>	<u>QTY</u>	<u>PART DESCRIPTION</u>	<u>PART NUMBER</u>
1	3	Actuator	3746-030
2	2	Actuator, Adapter	7035-182
3	2	Bearings	7035-179
4	2	Housing, Bearing	7035-176
5	1	Sprocket, Driver	7235-276
6	2	Key, Eccentric	7435-674
7	2	Eccentric	7435-366
8	2	Bearing, Pillow Block	7435-827
9	2	Collar, Proximity Switch	7186-392
10	1	Proximity Switch	7435-686
11	1	L.H. Eccentric Shaft	7435-802
12	4	Bushing, Actuator Coupling	7486-397
13	1	Coupling, Eccentric Shaft	7035-191
14	1	Coupling, Eccentric Shaft	7035-192
15	1	Pad, Actuator Bracket	7135-831
16	1	Bracket, Actuator	7235-282
17	1	Shaft, Center Actuator	7435-792
18	1	Coupling, Eccentric Shaft	7035-193
19	1	Coupling, Eccentric Shaft	7035-194
20	1	R.H. Eccentric Shaft	7435-803

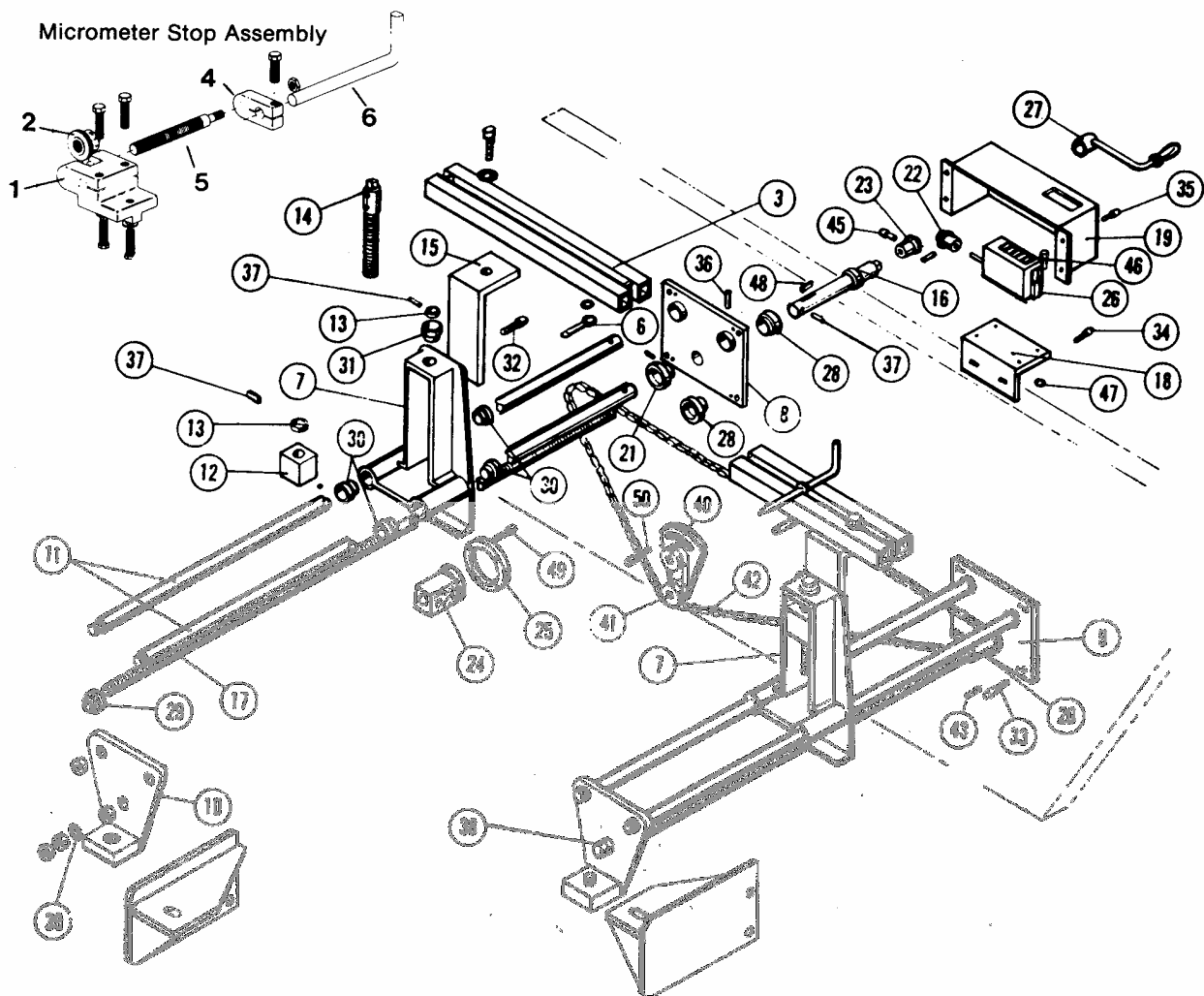
**60 TON ROTARY HYDRA-MECHANICAL PRESS BRAKE
MANUAL BACK GAUGE**



ITEM NO. QTY PART DESCRIPTION

1	2	Back Gauge Bracket	7185-145
2	4	Back Gauge Finger	7185-152
3	4	Rod Eye	3337-225
4	4	Handle Nut	3356-020

60 TON ROTARY HYDRA-MECHANICAL PRESS BRAKE FRONT OPERATED BACK GAUGE



<u>ITEM NO.</u>	<u>QTY</u>	<u>PART DESCRIPTION</u>	<u>PART NUMBER</u>
1	1	Housing, Micrometer Adjusting	7035-186
2	1	Knob-Back Gauge Micro Adj.	7435-631
3	1	Bar, Back Gauge Finger	-
4	1	Block-Micro Clamp	7435-633
5	1	Screw-Micro Adj.	7435-632
6	1	Rod-Gauge	7435-629
7	2	Carrier, Back Gauge Stop	7085-068
8	1	Mounting Plate, R.H.	7085-069
9	1	Mounting Plate, L.H.	7085-070
10	2	Bearing Plate	7085-071
11	4	Guide Rod	7185-339
12	2	Slide Block	7185-340
13	6	Collar	3302-013
14	2	Elevation Screw	7486-454
15	2	Bracket, Back Gauge	7185-343
16	1	Stub Shaft Long	7185-344

(continued next page)

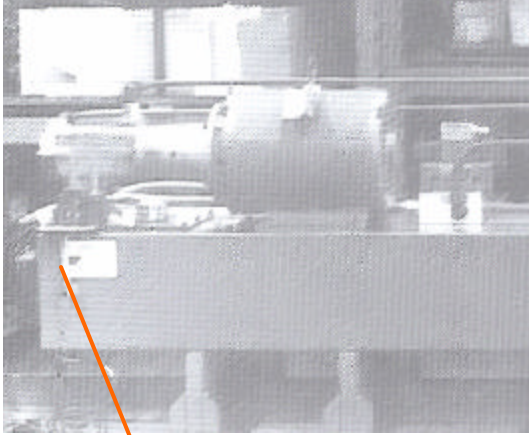
60 TON ROTARY HYDRA-MECHANICAL PRESS BRAKE FRAME GROUP

ITEM NO.	QTY	PART DESCRIPTION	PART NUMBER
17	1	Screw, R.H.	3356-375
	1	Screw, L.H.	3356-377
18	1	Counter, Mounting Bracket	7185-352
19	1	Housing, Counter	7085-072
21	2	Sprocket	7185-354
22	1	Gear, Helical	3436-001
23	1	Gear, Helical	3436-003
24	2	Nut, Back Gauge	3356-750
26	1	Counter	2201-230
27	1	Handle	7035-185
28	3	Bearing	3132-057
29	2	Bearing	3121-067
30	8	Bearing	3120-288
31	2	Bearing	3121-070
31A	2	Bushing, Bronze	3121-053
32	4	Hex Head Cap Screw	
33	8	Hex Head Cap Screw	
34	2	Hex Head Cap Screw	
35	4	Socket Head Cap Screw	
36	4	Roll Pin	
37	6	Roll Pin	
38	2	Nut, 5/8 Lock	3324-028
39	2	Washer, Thrust	3105-116
40	1	Drive Tensioner	3412-300
41	1	Sprocket	3412-250
42	*CTL	Chain, 3/8 Pitch #35	3430-035
	1	Link, Chain Connection	3430-235
43	8	Socket Head Set Screw	
44	1	Socket Head Set Screw	
45	1	Socket Head Set Screw	
46	4	Socket Head Set Screw	
47	4	Nut	
48	2	Key	
49	3	Socket Head Cap Screw	
50	2	Hex Head Cap Screw	
51	2	Bracket Support	7435-418
**	1	Counter, Gear Collet	7185-356
**	2	Wrench, Ratchet	5093-563
		Micrometer Stop Assembly	7335-090-ND

*CTL = Cut to Length

** = Parts not illustrated

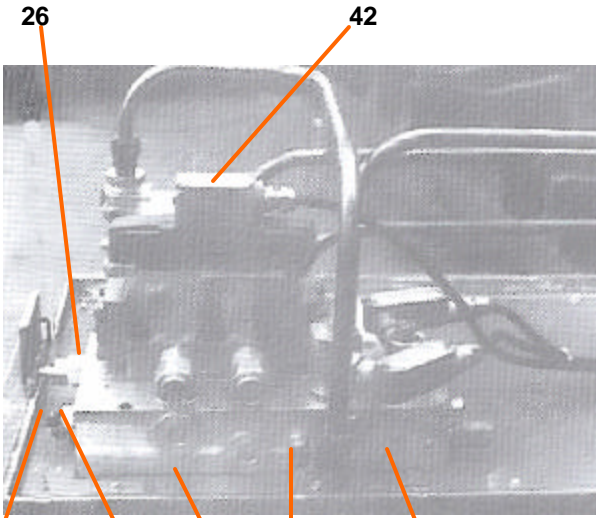
HYDRAULIC GROUP



50



41



26

42

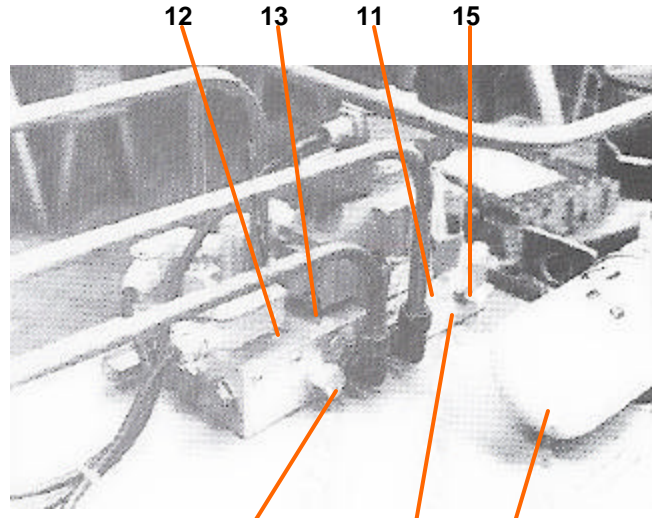
28

27

58

29

37



12

13

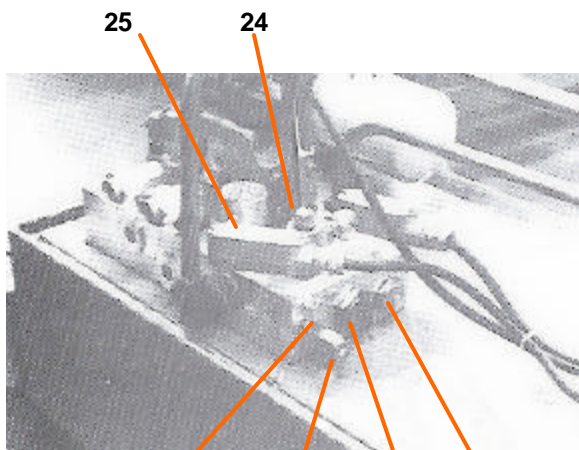
11

15

30

10

40



25

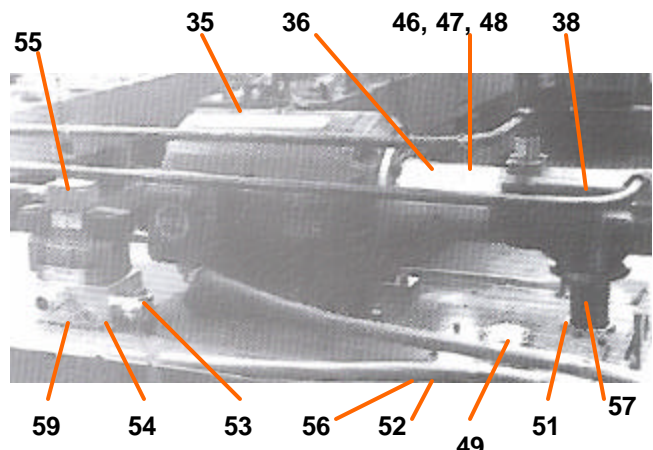
24

23

22

21

20



55

35

36

46, 47, 48

38

59

54

53

56

52

49

51

57