

## QUICK CHANGE BIN VENT

**Automated Ingredient Systems** Quick-Change Bin Vents are designed to offer customers a compact, affordable, easily serviced alternative to traditional bin vents. The low-profile design and hinged lid provide easy access and allows the changing of filters without the need for tools. The cylindrical design allows the same unit to be used in either vacuum or pressure applications. The spun bond polyester filter cartridge media is highly efficient, washable with soap and water, and exceeds EPA emission standards. The stainless steel urethane exterior finish provides a durable, long-lasting protection. The addition of a clear phenolic interior coating makes this unit ideal for sanitary applications. AIS can provide custom flange patterns or an adapter flange that will allow the Quick-Change Bin Vent to easily adapt to your existing bin opening.

### FEATURES

**Controls** - Sequential timer mounted in a NEMA 4 enclosure.

**Materials of construction** – Units are constructed of either carbon steel or stainless steel. The standard carbon steel units are finished with a stainless steel urethane exterior coating.

**Gauge** – Units are equipped with a pre-mounted magnehelic gauge. The gauge is provided with a replaceable inline filter.

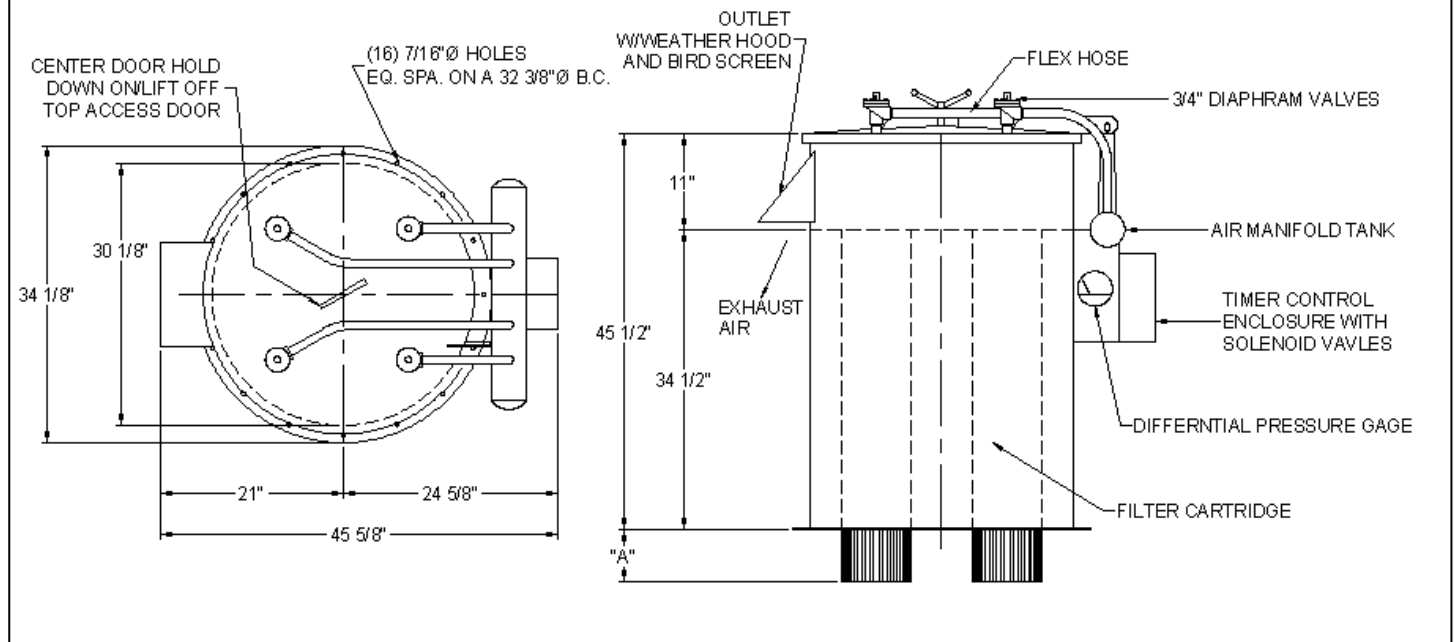
**Quick Access Filter Design** – Tool less top access lid design allows top load filters to be changed in minutes with no tools.

**Compact Design** – The Quick-Change Bin Vent is designed with the safety of maintenance in mind. The low-profile design and hinged lid make the unit easier and safer to maintain.



Automated Ingredient Systems, L.L.C.

# DIMENSIONS



## (3) CARTRIDGE MODELS

MODEL #	SQ. FT. FILTER MDEIA	"A"
BV3X26	122	N/A
BV3X40	192	5.5"
BV3X55	284	23.125"

## (4) CARTRIDGE MODELS

MODEL #	SQ. FT. FILTER MDEIA	"A"
BV4X26	162	N/A
BV4X40	256	5.5"
BV4X55	378	23.125"

## FILTER MEDIA

Spun Bond Polyester  
 PTFE Membrane Coated  
 Static-Dissipating Membrane  
 High Temperature Options  
 Fire Retardant Treated

## OPTIONS

304 Stainless Steel  
 Custom Finishes  
 NEMA 4X & NEMA 9 Controls  
 Fan Mounting Connection  
 Bin Flange Adapters  
 Vacuum Connection

## ACCESSORIES

Exhaust Fan  
 Receiving Bin  
 Explosion Vents  
 Exhaust Piping

## EASY FILTER CHANGE OUT:

