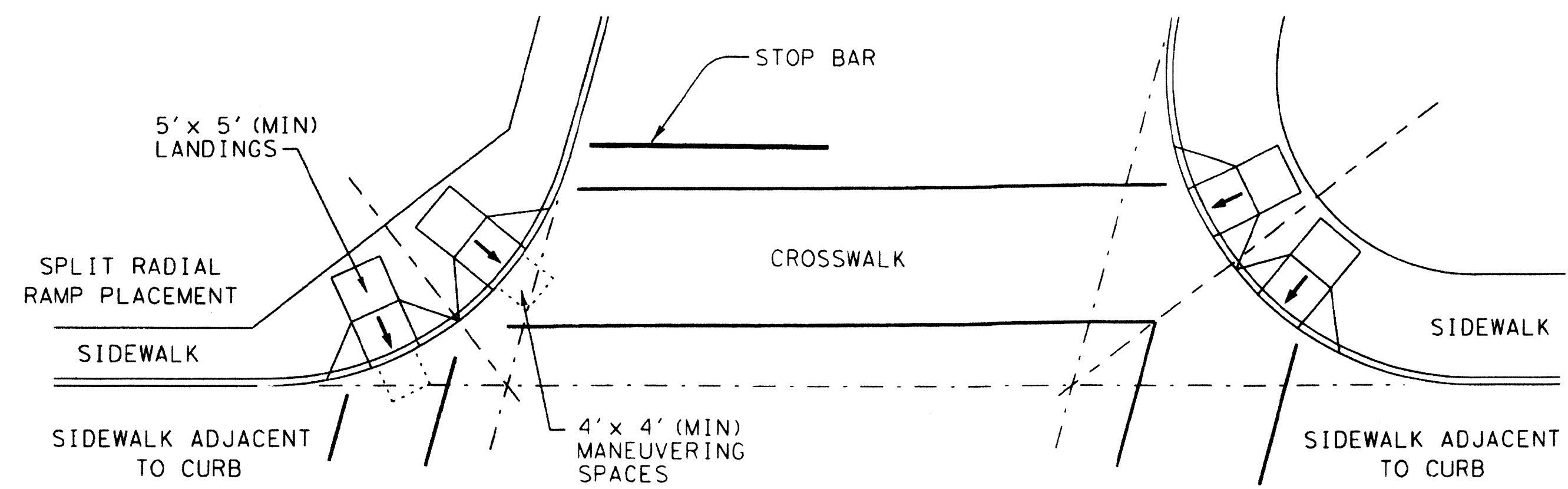
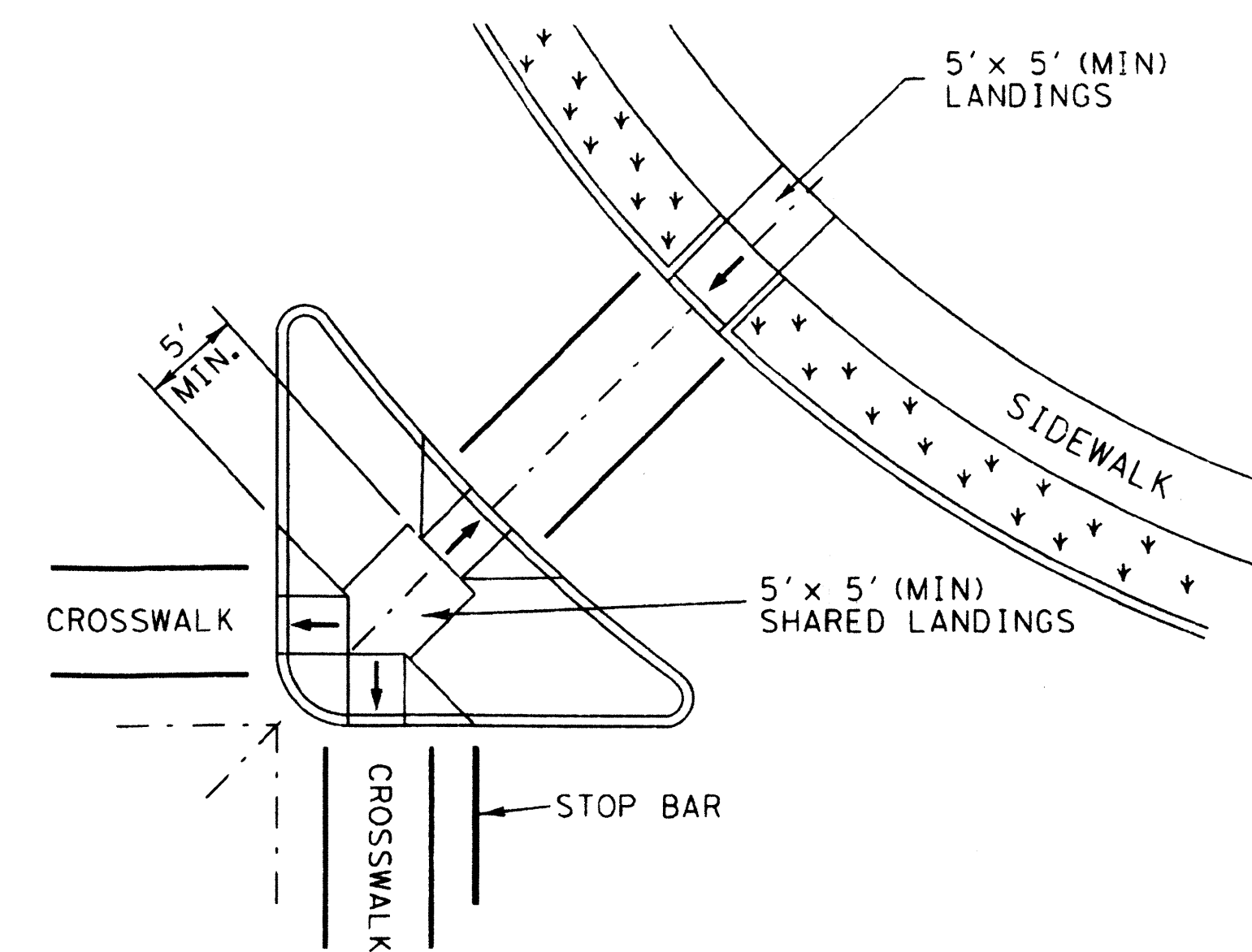


DISCLAIMER: The use of this standard is governed by the "Texas Engineering Practice Act". No warranty of any kind is made by TxDOT for any purpose whatsoever. TxDOT assumes no responsibility for the conversion of this standard to other formats or for incorrect results or damages resulting from its use.

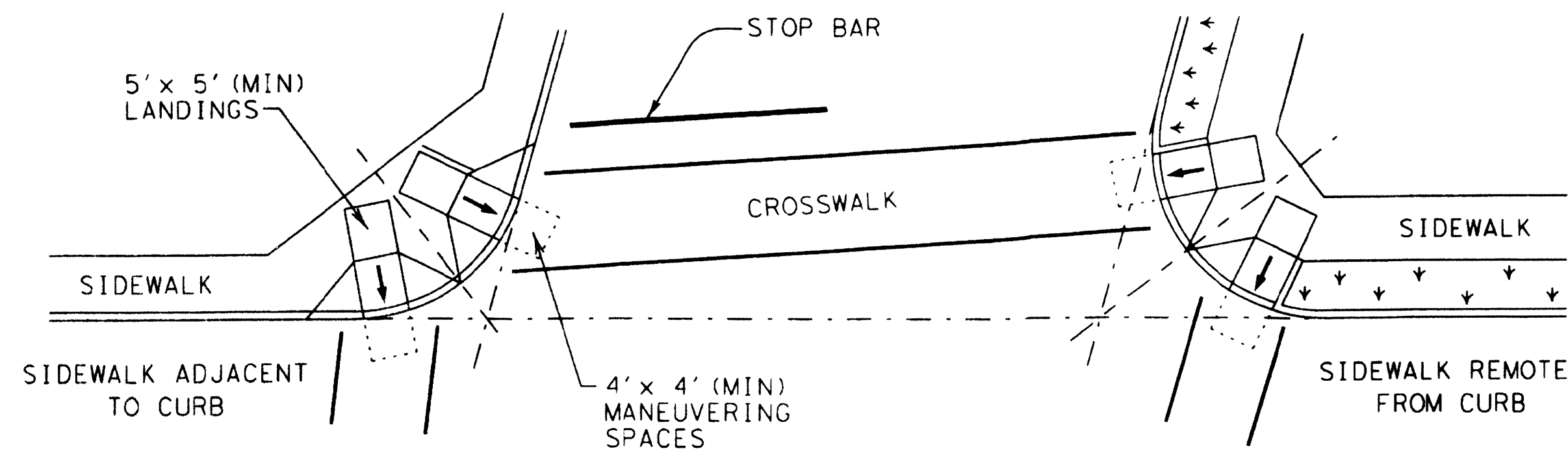
DATE:
FILE:



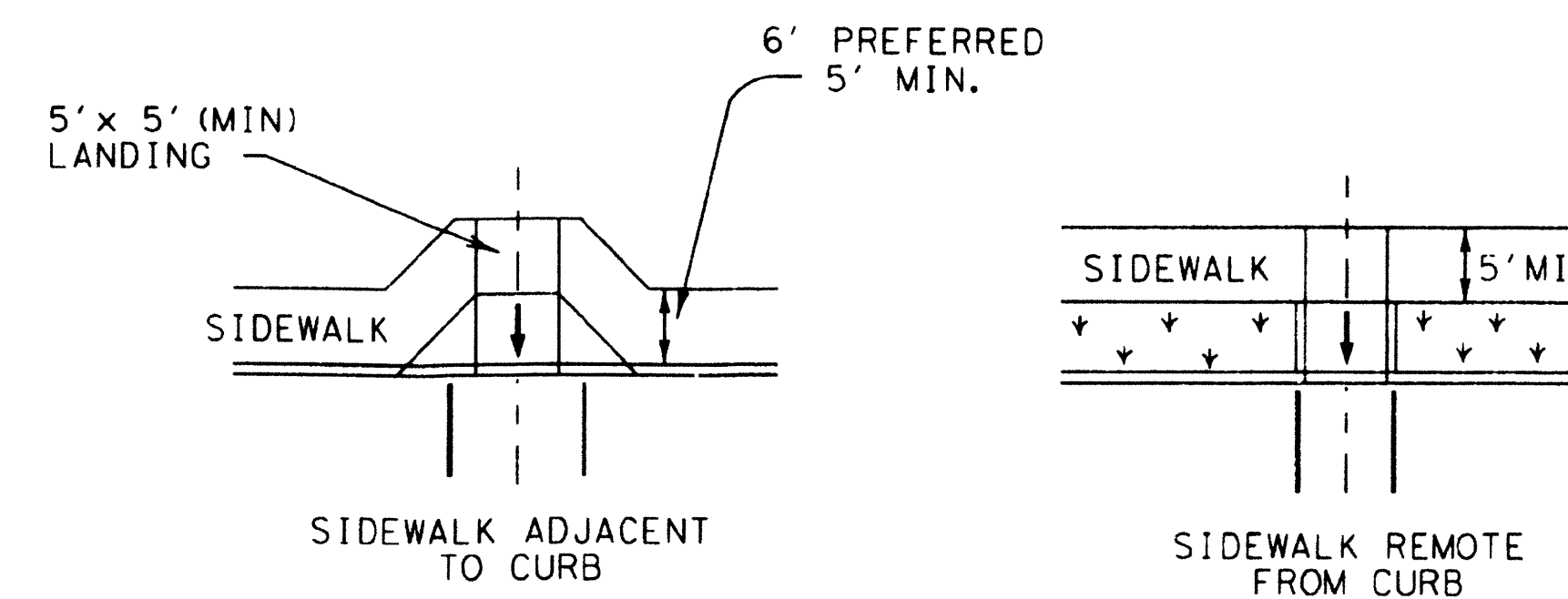
SKewed INTERSECTION WITH "LARGE" RADIUS



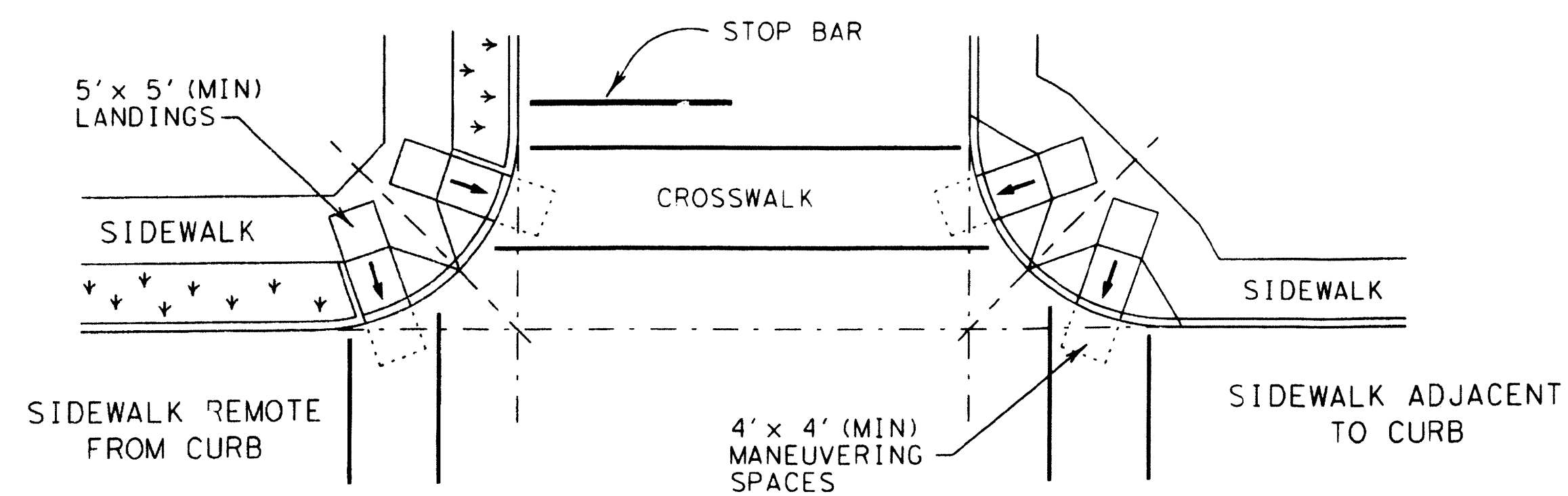
AT INTERSECTION
W/FREE RIGHT TURN & ISLAND



SKewed INTERSECTION WITH "SMALL" RADIUS



MID-BLOCK PLACEMENT
PERPENDICULAR RAMPS



NORMAL INTERSECTION WITH "SMALL" RADIUS

TYPICAL CROSSING LAYOUTS

SHEET 4 OF 4

Texas Department of Transportation
Design Division Standard

PEDESTRIAN FACILITIES
CURB RAMPS

PED-12A

FILE: ped12A.dgn	DN: TxDOT	CK: PK	DN: TxDOT	CK: HD
© TxDOT March 2002	CONT	SECT	JOB	HIGHWAY
REVISIONS				
VP June 13, 2012	DIST	COUNTY	SHEET NO.	