

ROSS 1879 VALVE



BLV

METAL SEATED BALL VALVE ROSS MODEL BLV-507

SIZES: 6 [in] - 60 [in]

APPLICATION:

For Pump Control / Check, Flow and Pressure Control Service

FLANGE CLASS:

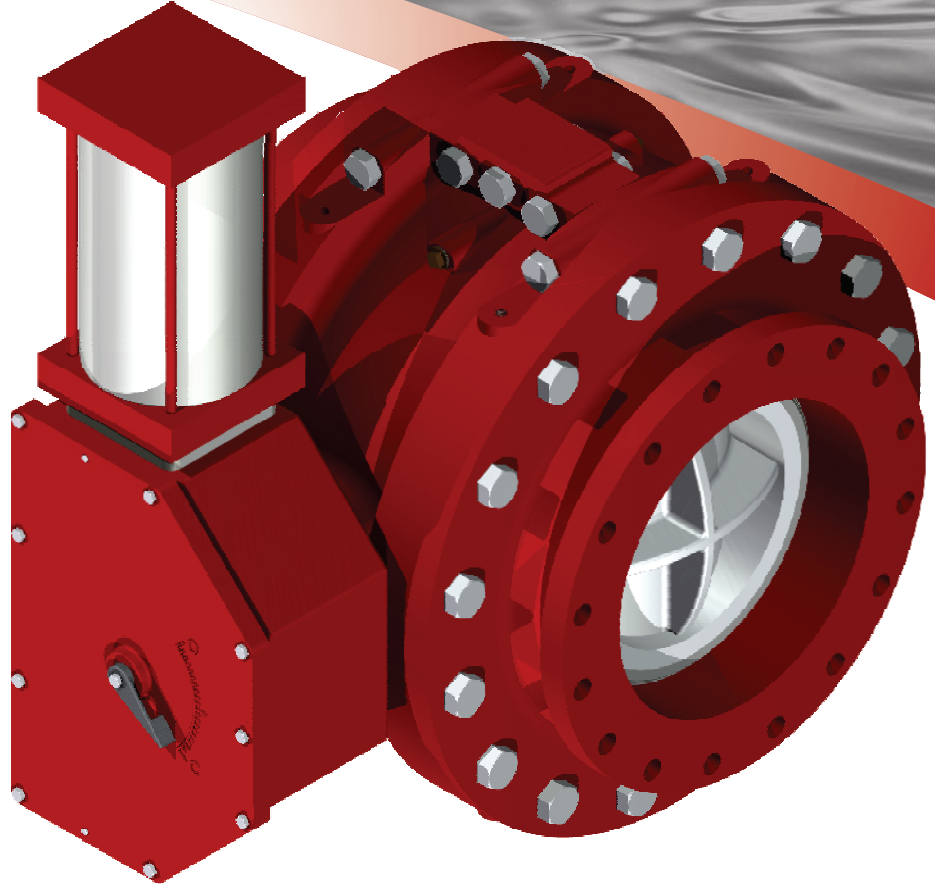
ANSI B16.1 CL 125 or CL.250

PRESSURE CLASS:

150, 250 or 300 per AWWA C507

COATINGS:

NSF-61 Approved Coating



100% MADE IN U.S.A.

Features:	Benefits:
Metal Seats	Capable of handling the toughest service No wedging, galling or scraping seats
Compact Body with Integral Flanges	Significantly smaller lay length Reduced deflection under operating conditions
100% Full Port Waterway	No more head loss than an equivalent length of pipe Reduced energy consumption
Trunnion Mounted Ball	Pressure assisted seals Capable of handling pressures in excess of 300 [psi] Shaft becomes rotary element only Reduced Vibration
Compound Link and Lever Operating Mechanism	Utilizes full mechanical advantage Allows for precise variable ball rotation Flow control over entire rotation
Ball Design	Self-cleaning, non clogging ball Less down time in the system due to maintenance



WWW.ROSSVALVE.COM Find us on all social networks



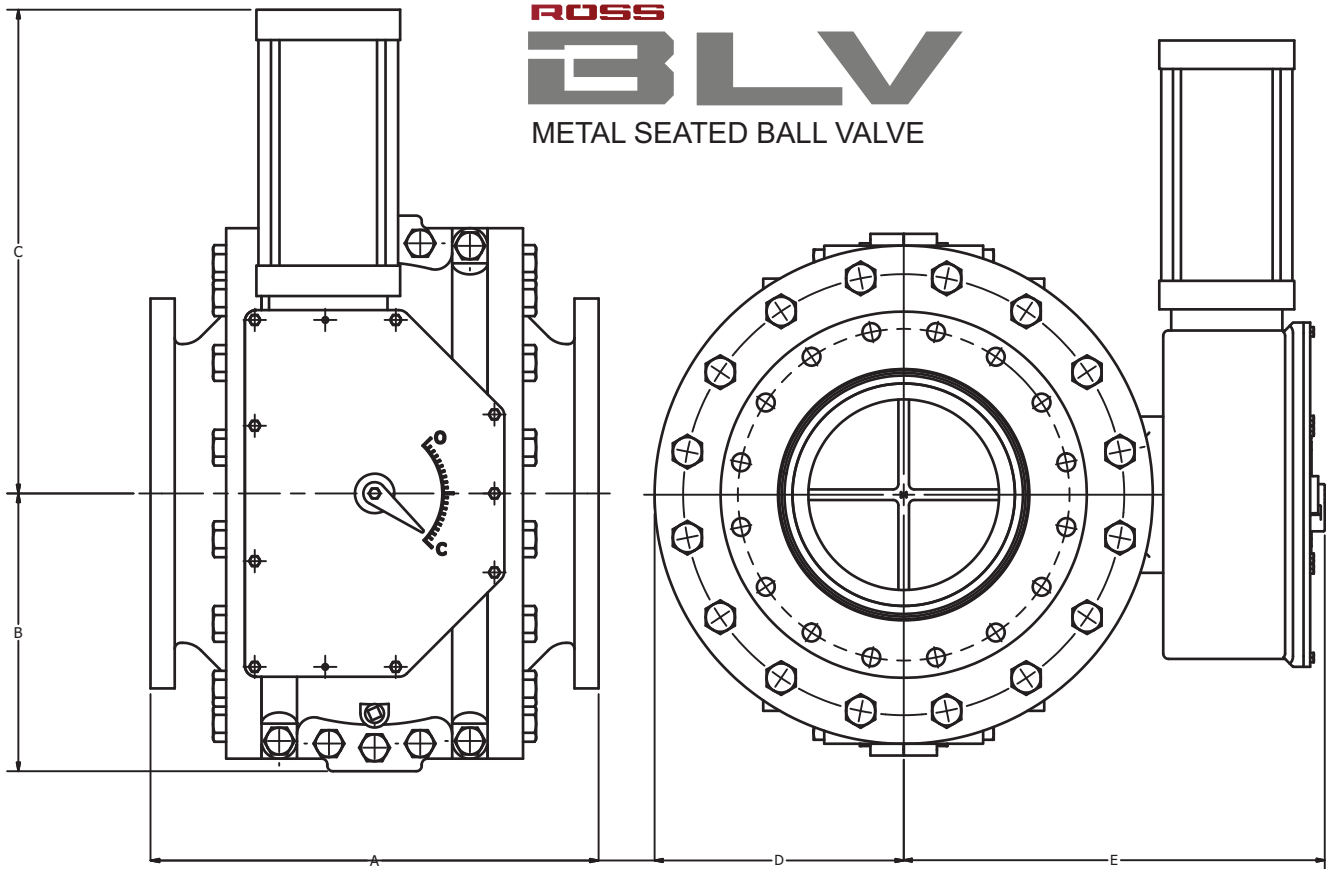
P.O. BOX 595

TROY NY 12181

518.274.0961

WWW.ROSSVALVE.COM

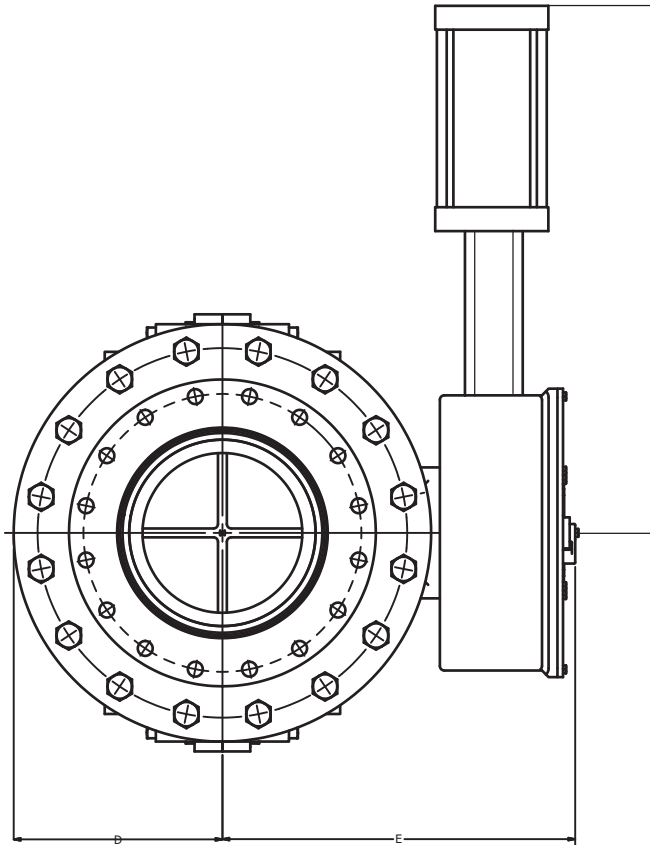
Metal Seated Ball Valve : Data



GENERAL DIMENSIONS (INCHES) [CYLINDER ACTUATOR]

SIZE	OALL (F TO F)		FLANGE THICKNESS		FLANGE OD		B	C	D	E	ESTIMATED WEIGHT (LB)
	A		125 LB	250 LB	125 LB	250 LB					
	125 LB	250 LB									
6	15 3/4	16 5/8	1	1 7/16	11	12 1/2	9	28 1/2	8 1/4	21 3/4	1,050
8	18	19	1 1/8	1 5/8	13 1/2	15	10 1/8	28 1/2	9 1/2	23	1,250
10	18 1/8	19 1/2	1 3/16	1 7/8	16	17 1/2	11 7/8	28 1/2	11	24 1/4	1,550
12	21	22 1/2	1 1/4	2	19	20 1/2	12 3/4	28 1/2	12	25	2,000
14	26 1/4	27 3/4	1 3/8	2 1/8	21	23	15 1/2	36	15	28	2,600
16	27	28 5/8	1 7/16	2 1/4	23 1/2	25 1/2	16 1/4	36	16	31 1/2	3,350
18	29	30 5/8	1 9/16	2 3/8	25	28	19 1/4	36	18 1/2	33	4,100
20	32	33 5/8	1 11/16	2 1/2	27 1/2	30 1/2	20	36	19 3/4	35	5,200
24	37	38 3/4	1 7/8	2 3/4	32	36	23 1/2	47 1/2	24 1/4	40	7,500
30	46	47 3/4	2 1/8	3	38 3/4	43	29 3/4	47 1/2	26 1/2	50	13,000
36	54	56	2 3/8	3 3/8	46	50	35 3/4	47 1/2	29 1/2	53	17,500
42	59 1/2	61 5/8	2 5/8	3 11/16	53	57	42	63	33	60	24,000
48	72	74 1/2	2 3/4	4	59 1/2	65	48	63	36	63	31,500

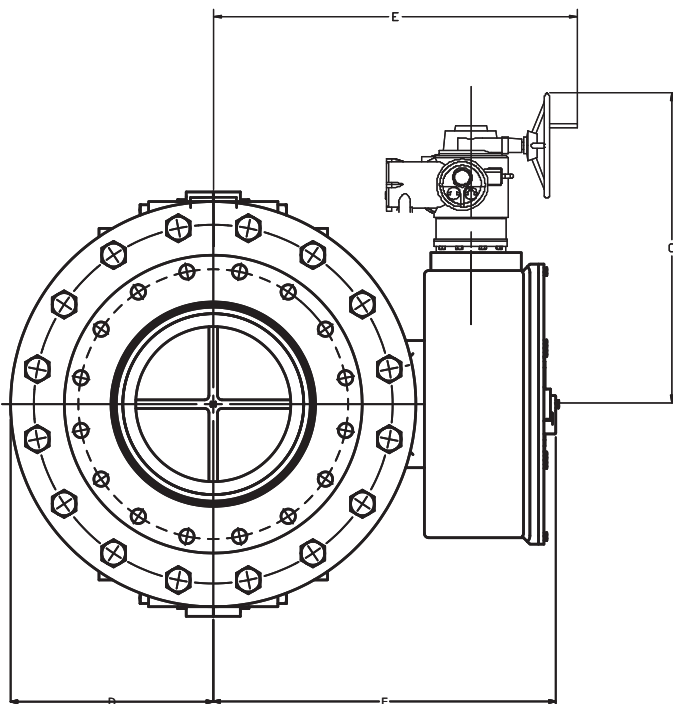
Metal Seated Ball Valve : Data



ROSS
BLV

METAL SEATED BALL VALVE

TANDEM AIR/OIL ACTUATOR			
SIZE	C	E	ESTIMATED WEIGHT (LB)
6	38 1/2	21 3/4	1,150
8	38 1/2	23	1,400
10	38 1/2	24 1/4	1,750
12	38 1/2	25	2,250
14	53	28	2,925
16	53	31 1/2	3,500
18	53	33	4,250
20	53	35	5,500
24	75 1/2	40	7,750
30	75 1/2	50	13,750
36	75 1/2	53	18,750
42	108	60	26,000
48	108	63	34,500



ROSS
BLV

METAL SEATED BALL VALVE

ELECTRIC ACTUATOR			
SIZE	C	E	ESTIMATED WEIGHT (LB)
6	25 1/2	28 1/2	1,000
8	25 1/2	30 1/4	1,200
10	25 1/2	31 1/2	1,500
12	25 1/2	32 1/4	1,950
14	34	35 1/4	2,500
16	34	38 3/4	3,200
18	34	40 1/2	4,000
20	34	42 1/2	5,100
24	42	47 1/2	7,350
30	42	57 1/2	12,800
36	42	60 1/2	16,750
42	53	67 1/2	23,000
48	53	70 1/2	30,500

Technical Resources:

- Dynamic Fluid Modeling
- Pattern Shop & 2 Foundries
- Machine Shops & CNC Centers
- Hydro Test Facilities
- Pre-Packaged Vault Design/Build Center

When George Ross founded our company in 1879, he made Automatic Control Valves that were designed to last. He also created a company built on enduring values: integrity of design and engineering, quality of materials, craftsmanship in manufacturing, a high level of customer service, and flexible business systems that have evolved with changes in technology and industries we serve.

Still located in Troy, NY USA, Ross Valve has grown to become an internationally renowned manufacturer, and expanded to our 15 acre Ross Technology Park to better serve our customers. As a 6th generation family operated business, there is an intense commitment to assure that all of our equipment is top quality and meets the highest standards and expectations of our customers.

Ross Valve has committed to manufacturing some of the industry's most durable and accurate control valves for over 135 years and serves the municipal water and wastewater, hydro power, industrial and firefighting industries.

Ross Valve "Quality and Innovation Since 1879"
100% Made in USA

Find us on all social networks



WWW.ROSSVALVE.COM

ROSS VALVE

1879

Ross Valve Mfg. Co., Inc.

P.O. Box 595, Troy, NY 12181-0595, USA

Tel: 518-274-0961 • Fax: 518-274-0210

Email: sales@rossvalve.com • www.rossvalve.com



All Ross Valves meet or exceed all current AWWA standards for construction and pressure ratings.
BLV PDF 2016 0



Ross Valve manufactures all its products in Troy, NY. Our corporate headquarters are now located in the newly expanded Ross Tech Park.