

ABRASIVE PRODUCTS

GRINDING WHEELS

Reinforced Wheels Depressed Center

FOR USE ON RIGHT ANGLE GRINDERS



- Aluminum oxide abrasive with a resin bond reinforced by layers of durable fabric to provide wheels of maximum strength and safety.
- **Fast cutting** flexible, extremely durable, and economical.



J&B #	SIZE	ARBOR	MATERIAL	MAX RPM	QTY	CASE
39061	4 x 1/4	5/8 hole	A24N	13,500	EA	25
38864	4-1/2 x 1/4	5/8-11 nut	A24R	13,300	EA	10
* V41990	4-1/2 x 1/4	5/8-11 nut	A24ALU	13,300	EA	10
* 38865	4-1/2 x 1/4	7/8 hole	A24T	13,300	EA	25
* V41991	4-1/2 x 1/4	7/8 hole	A24ALU	13,300	EA	25
38866	5 x 1/4	7/8 hole	A24N	12,200	EA	25
20098	7 x 1/4	5/8-11 nut	A24R	8,500	EA	10
20146	9 x 1/4	5/8-11 nut	A24T	6,600	EA	10

* = Flexovit Brand

GENERAL PURPOSE - METAL - FAST CUT (A24N):

- Aggressive grinding with excellent life.
- Grinds aggressively in a wide range of metal applications, including harder materials.
- Aluminum oxide grain. Soft bond for fast stock removal.

HIGH PERFORMANCE - METAL - LONG LIFE (A24R):

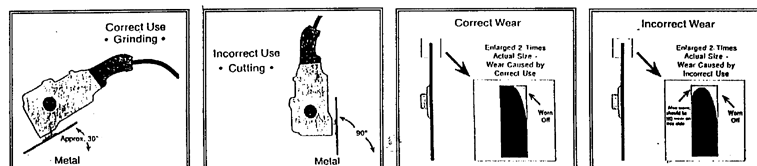
- Smooth grinding with maximum life for an aluminum oxide wheel.
- Weld grinding, surface conditioning, notching, cutting, and all general purpose stock removal.
- The standard for long life in metal work.

EDGE GRINDING - METAL – LONG LIFE (A24T):

- Aluminum oxide grain.
- Hard bond designed for edge & bevel grinding & other applications where a harder wheel is preferred.
- Ferrous metals (iron, steel, welds, etc.)

ALUMINUM – LOAD RESISTANT – (A24ALU)

- Ideal for grinding aluminum and nonferrous materials.



ABRASIVE PRODUCTS

METALHOG GRINDING WHEEL

Reinforced Wheels Depressed Center

**** Superior Productivity ** Higher Efficiency ** Longer Life**

FOR USE ON RIGHT ANGLE GRINDERS



- Type 27 grinding wheels incorporate a blend of premium, semi-premium & standard abrasive grain with custom bond systems.
- Extremely aggressive & rapid grinding action without sacrificing wheel life.
- METALHOG grinds up to 30% faster & 3 times Longer than regular aluminum oxide products.



J&B #	SIZE	ARBOR	MATERIAL	MAX RPM	QTY	CASE
41908	4-1/2 x 1/4	7/8 hole	AXT24S	13,300	EA	25

RAPID GRIND – METAL, STAINLESS - FAST CUT/LONG LIFE (AXT24S):

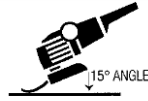
- Fast, aggressive stock removal.

ABRASIVE PRODUCTS

CHALLENGER II GRINDING WHEELS

Semi-Flexible Wheels
ALUMINUM / STAINLESS / METAL

FOR USE ON RIGHT ANGLE GRINDERS



MUST BE USED AT A
MINIMUM 15° ANGLE
- DO NOT USE FLAT -



- Eliminate wheel-change downtime by grinding and finishing with the same wheel.
- **Challenger II** performs well in all metal fabrication applications.
- **Challenger II** runs virtually LOAD-FREE.
- **Challenger II** tackles stainless and hard alloy applications without glazing or dulling.
- Great for Metal, Stainless, or Aluminum.

J&B #	SIZE	TYPE	ARBOR	GRIT FINISH	MAX RPM	QTY
*42200	4-1/2 x 1/8	29	7/8 hole	60	13,280	EA

25 in a case

* Use backing pad part # 95245 from United Abrasives.



Type 29

OVATION FLAP DISCS

Fiberglass Backing Plate

FOR USE ON ANGLE GRINDERS



- High pressure is ideal for removing deeper scratches from the work surface.
- Heavy duty / long life for tough applications.
- Premium zirconium grain on a tough, full polyester backing.
- Will not contaminate stainless steel.



Type 27

J&B #	SIZE	GRIT	TYPE	MAX RPM	QTY
59125	6 x 7/8	40	27	10,200	EA

CASE
10

ABRASIVE PRODUCTS

ZIRCOTEX PREMIUM FLAP DISCS

Fiberglass Backing Plate

FOR USE ON ANGLE GRINDERS



- Made with premium zirconia alumina abrasive cloth backed by a high strength fiberglass disc.
- Ideal for high production grinding, blending, deburring and finishing.
- Perform well on a wide variety of materials including stainless & carbon steel.
- Durable grain resists loading or clogging on softer materials such as aluminum, brass, bronze & fiberglass.
- The fanned, abrasive cloth flaps wear evenly, constantly exposing new, sharp grain allowing for full use of the abrasive material.

J&B #	SIZE	GRIT	TYPE	MAX RPM	QTY	CASE
45401	4-1/2 x 5/8-11	24	29	13,300	EA	10
45402	4-1/2 x 5/8-11	40	29	13,300	EA	10
45416	4-1/2 x 5/8-11	60	29	13,300	EA	10
45500	4-1/2 x 5/8-11	80	29	13,300	EA	10
45406	4-1/2 x 7/8	40	27	13,300	EA	10
45398	4-1/2 x 7/8	60	27	13,300	EA	10
45408	4-1/2 x 7/8	80	27	13,300	EA	10
47005	4-1/2 x 7/8	120	27	13,300	EA	10
45412	4-1/2 x 7/8	40	29	13,300	EA	10
45409	4-1/2 x 7/8	60	29	13,300	EA	10
45420	4-1/2 x 7/8	80	29	13,300	EA	10



Type 29



Type 27

SAIT ENCORE FLAP DISC

Fiberglass Backing Plate

- Heavy duty for long-life and high stock removal.
- Use on carbon and stainless steel, made with premium zirconium abrasive material which provides long-life & high stock removal.



J&B #	SIZE	GRIT	TYPE	MAX RPM	QTY	CASE
45400	4-1/2 x 7/8	40	27	13,300	EA	10

ABRASIVE PRODUCTS

GRINDING WHEELS

FOR USE ON BENCH & PEDESTAL MACHINES



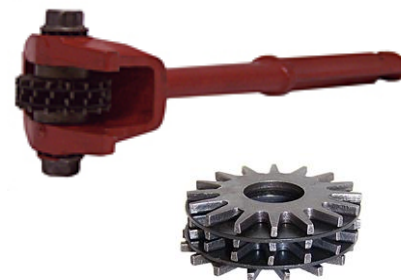
- ALUMINUM OXIDE for metal grinding carbon, stainless or alloys.
- Runs cool for long grinding life; maintains shape.
- May be used for general purpose grinding or finishing and sharpening.

J&B #	SIZE	ARBOR	NESTED BUSHINGS	STYLE	GRIT	MAX RPM	QTY
39030	6 x 1	1	1/2, 5/8, 3/4	MED/FN	A60	4,138	EA
38460	6 x 1	1	1/2, 5/8, 3/4	COARSE	A24	4,138	EA
39032	8 x 1	1-1/4	1/2, 5/8, 3/4, 1	MED/FN	A60	3,600	EA
38462	8 x 1	1-1/4	1/2, 5/8, 3/4, 1	COARSE	A24	3,600	EA

BENCH WHEEL DRESSER

- Designed to true bench wheels to correct shape.
- Quickly remove foreign material embedded in the face of the wheel.

J&B #	DIAMETER	THICKNESS	QTY
39127	Up to 10"	Up to 2"	EA
39128	Replacement Cutter		EA



RESIN FIBER ABRASIVE DISCS

Closed Coat

FOR USE ON RIGHT ANGLE GRINDERS



- Closed coat structure for more material removal & better finishing.
- Use for grinding mild steel or stainless, weld preparation, or blending and finishing.

J&B #	SIZE	GRIT	QTY
41410	4-1/2 x 7/8	50	25
41412	4-1/2 x 7/8	80	25
*38963	5 x 7/8	24	25
41416	5 x 7/8	36	25
41418	5 x 7/8	60	25
41419	5 x 7/8	80	25
41421	5 x 7/8	120	25

J&B #	SIZE	GRIT	QTY
*38965	7 x 7/8	24	25
*38967	9 x 7/8	24	25
^43426	9 x 7/8	36	25

* These items are sold in box quantities only.

^ 43426 is 3M brand



ABRASIVE PRODUCTS

RESIN FIBER ABRASIVE DISCS

Open Coat

FOR USE ON RIGHT ANGLE GRINDERS



- Open coat structure prevents loading with fast material removal
- Use on ferrous and/or non-ferrous metals, wood and fiberglass.
- Discs come on handy dispenser to prevent bowing.

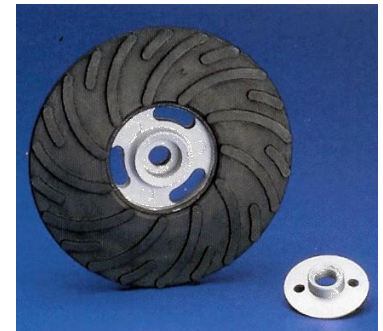
J&B #	SIZE	GRIT	QTY
46439	4-1/2 x 7/8	80	100
46438	4-1/2 x 7/8	60	100
46437	4-1/2 x 7/8	50	100
46436	4-1/2 x 7/8	36	100
*46445	4-1/2 x 7/8	36	100
46430	7 x 7/8	50	100
46429	7 x 7/8	24	100
46440	7 x 7/8	16	100

- Cannot break box quantities -

* Part# 46445 is a closed coat zirconia alumina abrasive material on an X-weight, water resistant polyester/cotton blended backing. For general purpose grinding and finishing on ferrous and non-ferrous metals, cast iron, aluminum, stainless steel and wood materials.

SPIRALCOOL BACKING PAD

- Spiralcool backing pads exclusive rubber, fabric and fiber board construction provide extra strength and reliability.
- Spiral ribs provide contact points and form channels for air flow extending disc life 30% to 50%.



J&B #	SIZE	ARBOR	GRADE	MAX RPM	QTY
41983	5"	5/8-11	MEDIUM	10,000	EA
41972	7"	5/8-11	MEDIUM	8,500	EA

ABRASIVE PRODUCTS

HIGH SPEED CUT-OFF WHEELS

FOR USE ON RIGHT ANGLE GRINDERS



- Cuts ferrous & non ferrous metals (iron, steel, welds, etc.)
- Thin wheel, fast cutting with long life.
- Cut-off wheels are dressed so they cut instantly.
- Premium cutting speed and life in sheet metal or solids. Outstanding in stainless or alloys.

J&B #	SIZE			MFG	TYPE	GRADE	MAX RPM	QTY
	DIA	THK	ARBOR					
41408	4-1/2	.045	7/8	SAIT	1	A60S	13,300	10
43500	4-1/2	.045	7/8	FLEXOVIT	1	A60S	13,300	10
40259	6	.045	5/8	SAIT	1	A60S	10,200	10
42122	6	.045	7/8	SAIT	1	A60S	10,200	10
42166	6	.045	7/8	FLEXOVIT	1	A60S	10,000	10

NOTE: CUT-OFF WHEELS ARE FOR USE ON RIGHT ANGLE GRINDERS EQUIPPED WITH PROPER TYPE 1 FLANGES DO NOT USE WITH TYPE 27 STYLE FLANGES.

J&B #	DESCRIPTION	QTY
41407	TYPE 1, ADAPTER FLANGE	EA



HIGH SPEED CUT-OFF WHEELS

- Aluminum oxide grain.
- Hard bond for aggressive cutting on rough applications.
- Cuts ferrous metals (iron, steel, welds, etc.) and stainless.



J&B #	SIZE			MFG	TYPE	GRADE	MAX RPM	QTY
	DIA	THK	ARBOR					
41839	6	.035	7/8	SAIT	1	A36T	10,186	10

ABRASIVE PRODUCTS

HIGH SPEED CUT-OFF WHEELS

FOR USE ON RIGHT ANGLE GRINDERS



- The Razorblade 27 wheel combines fast, chatter free cutting with exceptional wheel life, making it the wheel of choice where wheel usage is high and wheel change downtime is a concern.
- Facilitates flush cutting on flat surfaces.

J&B #	SIZE			TYPE	GRADE	MAX RPM	QTY
	DIA	THK	ARBOR				
42042	4-1/2	.045	7/8	27	A60SST-27	13,300	10
V41989	6	.045	7/8	27	A60SST-27	10,000	10

Flexovit brand

PORTABLE SAW CUT-OFF WHEELS

Extremely Fast Cutting

- Special aluminum oxide grain formula.
- Fast cutting action. Non-binding cutting formula.
- Externally reinforced with the highest quality fiberglass.
- Cuts ferrous metals, stainless steel, high tensile alloys



J&B #	SIZE			TYPE	GRADE	MAX RPM	QTY
	DIA	THK	ARBOR				
39149	14	1/8	20mm	1	XFC	5,460	1

ABRASIVE PRODUCTS

GREEN CORPS CUT-OFF WHEELS

FOR USE ON PENCIL & DIE GRINDERS



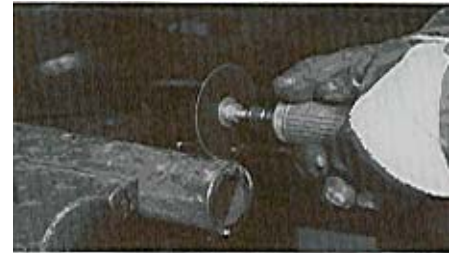
- Green Corps Cut-Off Wheels are designed to provide high cut rates and long life on most all materials including fiberglass, stainless steel, mild steel and aerospace alloys.
- Green Corps Wheels incorporate 3M's patented Cubitron ceramic abrasive grain technology and are ideal for use on a wide variety of utility type cut-off tools.

J&B #	SIZE	HOLE	MAX RPM	QTY
*41860	3 x 1/16	3/8"	26,000	5
*45570	4 x 1/32	3/8"	26,250	5

*No broken boxes

CUT-OFF WHEELS

FOR USE ON PENCIL & DIE GRINDERS



- Aluminum oxide grain, hard bond for aggressive cutting on rough applications.
- Easily cuts through tubes, pipes, sheet metal.

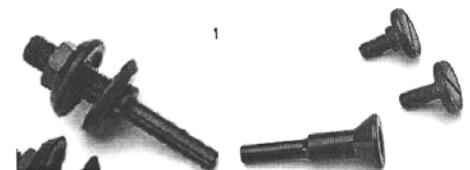
J&B #	SIZE	HOLE	MATERIAL	MAX RPM	QTY
40249	2-1/2 x 1/16	3/8	A36T	24,446	10
40256	3 x .035	3/8	A60T	25,000	10
*42168	3 x .035	3/8	A60T	25,000	10
40250	3 x 1/16	3/8	A36T	25,000	10
40252	4 x 1/16	3/8	A36T	19,000	10

* 42168 = Flexovit Brand



J&B #	FITS WHEEL SIZE OF: THICKNESS	ARBOR	SHANK SIZE	QTY
40255	.035 to 1/2	3/8	1/4	EA
40251	.035 to 3/16	3/8 or 1/4	1/4	EA

* These mandrel adapters fit 2" to 4" diameter wheels.



40255

40251

ABRASIVE PRODUCTS

CHOPSAW WHEELS

FOR USE ON CHOPSAWS



- General purpose for profiles and solids; carbon or alloy steels.
- Made of reinforced resinoid for longer life.

J&B #	SIZE	HOLE	MATERIAL	MAX RPM	QTY	CASE
39062	12 x 3/32	1"	A30RB	5,100	EA	10
39064	14 x 3/32	1"	A30RB	4,400	EA	10

REDUCING BUSHINGS

- For use with type 1 cut-off wheels.
- Reduces wheel arbor size.

J&B #	SIZE	QTY
13757	7/8 – 5/8	10
13756	1" – 7/8	10
13755	1" – 20mm	10



CIRCULAR SAW WHEELS

FOR USE ON
CIRCULAR SAWS



- Fast cut metal, stainless.
- A general purpose wheel, ideal on carbon or stainless steel shapes or profiles.
- Provides fast cutting action.

J&B #	SIZE	HOLE	MATERIAL	MAX RPM	QTY	CASE
45630	7 x 3/32	5/8	A24R	8,500	EA	25

ABRASIVE PRODUCTS

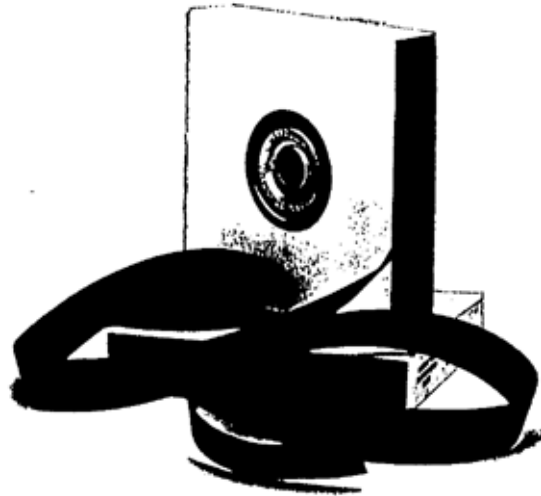
SHOP ROLLS

Aluminum Oxide

FOR HAND USE



- Aluminum oxide abrasive, cloth-backed, glue bonded.
- Comes in handy dispenser box.

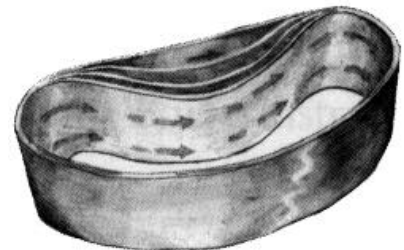


J&B #	GRIT	LENGTH	WIDTH	QTY
20880	60	50 YDS	1-1/2	EA
20773	80	50 YDS	1-1/2	EA
20774	100	50 YDS	1-1/2	EA
20775	120	50 YDS	1-1/2	EA
20881	150	50 YDS	1-1/2	EA
20778	180	50 YDS	1-1/2	EA
20776	240	50 YDS	1-1/2	EA
20777	320	50 YDS	1-1/2	EA
20779	400	50 YDS	1-1/2	EA

REGULAR BELTS

Aluminum Oxide

FOR USE ON BELTSANDERS



J&B #	GRIT	LENGTH	WIDTH	QTY
*41957	40	18 "	3/4	100
*41956	120	18 "	3/4	100

* If breaking a box, must be done in multiples of 10.

ABRASIVE PRODUCTS

ABRASIVE SCREEN

FOR HAND USE



- Made of nylon mesh impregnated with a silicone carbide abrasive.
- Can be used **wet or dry** on metal, wood, and plastic applications.
- Screen mesh design **prevents loading**.
- Can be used on both sides.



J&B #	SIZE	GRIT	QTY
20149	1-1/2 x 75 Ft.	120	EA

CROCUS CLOTH ROLL

FOR HAND USE



- Sharp, long lasting aluminum oxide abrasive.
- Excellent for extra **fine polishing** of metals.



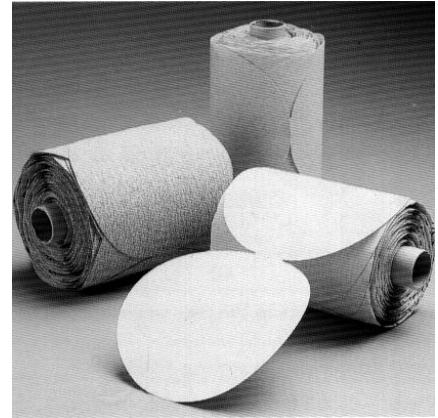
J&B #	SIZE	QTY
20151	1-1/2 x 20 Yds.	EA

ABRASIVE PRODUCTS

PSA SANDING DISCS

Stikit

- Pressure sensitive adhesive for press-on, peel-off convenience.
- Discs resist loading and reduce “down time”.
- For use on paint, primer, wood, metal and fiberglass.
- All discs below have no holes.



ORDER BY THE ROLL

J&B #	3M #	COLOR	SIZE	GRIT	QTY
40710	051144-21799	GOLD	5"	80F	100/RL
45735	051141-31182	WHITE	5"	P100A	100/RL
45730	051141-31183	WHITE	5"	P120A	100/RL
45610	051141-31184	WHITE	5"	P150A	100/RL
45705	051144-27672	WHITE	5"	P240A	100/RL

* Cannot break roll quantity.

ORDER BY THE ROLL

PSA BACKING PAD

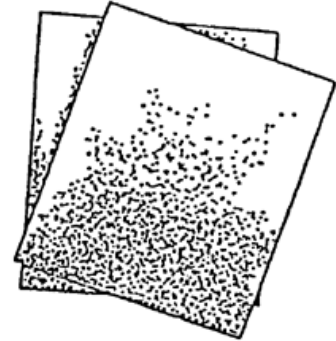
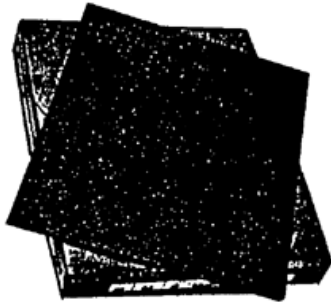
- For use with PSA adhesive backed sanding discs.
- Threaded pad for dual action/random orbital sanders and right angle grinders/sanders.

J&B #	SIZE	QTY
41961	5 x 5/16-24	EA



ABRASIVE PRODUCTS

FOR HAND USE



ALUMINUM OXIDE PAPER Open Coat

- Dry sanding only. Open coat resists loading.
- Effective for removing scratches and burrs on metal, shaping and finishing plastic filler, and stripping old paint or varnish off wood.

J&B #	SIZE	GRIT	QTY
9454	9 x 11	80D	50

EMERY CLOTH

- Used for general purpose metal sanding such as light cleanup work and rust removal jobs.

J&B #	SIZE	GRIT	QTY
38969	9 x 11	MED	EA

CROCUS CLOTH

- Sharp, long lasting aluminum oxide abrasive.
- Excellent for extra fine polishing of metals.

J&B #	SIZE	QTY
38968	9 x 11	EA

ABRASIVE PRODUCTS

TAPERED CARTRIDGE ROLLS

- Can reach into small angles and corners more easily than any other abrasive product because the tapered design is built in.
- Made in multi-layers, allowing a new cutting surface to be exposed as each layer is worn away during use.

J&B #	WIDTH	LENGTH	GRIT	HOLE	QTY
41960	3/8	2"	120	1/8	100
41962	5/8	2"	36	3/16	50

J&B #	SHANK DIA.	PILOT LENGTH	PILOT DIA.	QTY
41966	1/4"	1"	1/8	EA
41970	1/4"	1-1/2"	3/16	EA



STEEL WOOL

- Heavy duty grade for removing rust, cleaning car engines & removing accumulations of paint & varnish on floors & furniture.
- Packaged in bags of 12.

J&B #	GRADE	STYLE	QTY
40393	#4	EXTRA COARSE	1 BAG

(ORDERING 1 = 1 BAG OF 12)

** NO BROKEN BAGS



STRIP DISC

- Fast, safe removal of surface contaminants.
- Excellent for cleaning welds, removing corrosion, rust, scaling and blending.
- Great for removing paints, varnishes & sealants from Difficult to reach surfaces.

J&B #	SIZE	MAX RPM	QTY
45732	2"	12,000	5
45733	3"	8,500	5

J&B #	SIZE	QTY
40448	2" Arbor 1/4" Shank	EA
40449	3" Arbor 1/4" Shank	EA



ABRASIVE PRODUCTS

3M SCOTCH-BRITE HAND PADS General Purpose Pad

FOR HAND USE



- Made of nylon web - rinse clean – can be used over and over again.
- Handy for doing many chores from Cleaning metal surfaces to sanding wood or ceramic materials.
- Use in a dry medium or with lubricants such as water or oil.

J&B #	SIZE	GRIT	COLOR	QTY
*40391	6 x 9	SUPER FINE	WHITE	20
*12250	6 x 9	FINE	LIGHT GRAY	20
*40700	6 x 9	MEDIUM	MAROON	20
*42063	6 x 9	COARSE	DARK GRAY	20

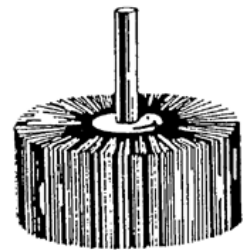
* Sold in full boxes only.

ALUMINUM OXIDE MOUNTED FLAP WHEELS

FOR USE ON DIE GRINDERS



- For cleaning, deburring, finishing, and polishing of flat or contoured metal surfaces.
- Hugs concave or convex surfaces, allowing access to hard-to-reach areas.
- Non-loading; the flexibility provided by the coated abrasive flaps prevents loading which occurs with non-flexible grinding products.
- Mandrel mounted on fixed 1/4" solid shank.



J&B #	WHEEL DIAMETER	FACE WIDTH	GRIT	MAX RPM	QTY
40654	1"	1"	60	30,000	EA
40655	1"	1"	80	30,000	EA
42385	1"	1"	120	30,000	EA
42387	1-1/2"	1"	60	25,000	EA
42388	1-1/2"	1"	80	25,000	EA
40665	1-1/2"	1"	120	25,000	EA
42391	2"	1"	60	25,000	EA
40660	2"	1"	80	25,000	EA
40662	2"	1"	120	25,000	EA
40664	2"	1"	180	25,000	EA
40667	2-1/2"	1"	60	23,000	EA
42393	2-1/2"	1"	80	23,000	EA
40668	2-1/2"	1"	120	23,000	EA
42395	3"	1"	60	23,000	EA
42397	3"	1"	120	23,000	EA



ABRASIVE PRODUCTS

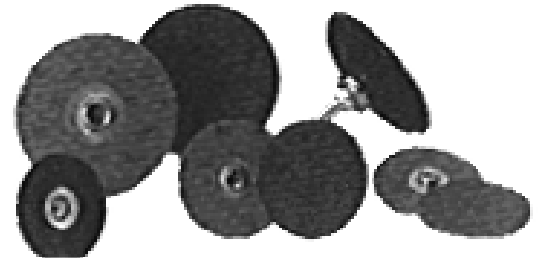
ROL-ON DISCS

FOR USE ON RIGHT ANGLE SANDERS & GRINDERS



- It is a handy quick change tool for disc grinding.
- Fits any 1/4" drill or air tool.
- Connects quickly and easily to its arbor with a 1/2" right twist and removes with a 1/2" left twist.

J&B #	SIZE	GRIT	QTY
* 41952	2"	120	50
38903	2"	80	25
* 41981	2"	80	50
38893	2"	50	25
* 41980	2"	50	50
38894	2"	36	25
^ 41899	2"	36	25
* 41950	2"	36	50
38895	2"	24	25
^ 41901	2"	24	25
* 41979	2"	24	50
38966	3"	80	25
* 41985	3"	50	50
38896	3"	50	25
* 41986	3"	36	50
38897	3"	36	25
* 41987	3"	24	50
38898	3"	24	25



Rol-On Disc

* 3M discs.

^ Shark discs.

J&B #	SIZE	QTY
40448	2" Arbor 1/4" Shank	EA
40449	3" Arbor 1/4" Shank	EA

ROL-ON BRISTLE DISCS

- Ideal for cleaning, finishing, blending and deburring.
- Used on corners, welds and for rivet cleaning on all areas where conformability is required.
- Eliminate dangerous flying wires.

J&B #	SIZE	GRIT	COLOR	QTY
42164	2"	FINE	WHITE	5
42160	2"	MEDIUM	YELLOW	5
42162	2"	COARSE	GREEN	5
42163	3"	COARSE	GREEN	5



Bristle Disc

*Use arbor 40448 for 2" bristle disc & 40449 for 3".

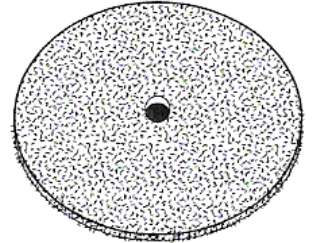
ABRASIVE PRODUCTS

TRIM-KUT DISCS

FOR USE ON RIGHT ANGLE SANDERS & GRINDERS



- Trim-Kut abrasive discs are a unique one piece design with the grinding surface bonded to a hard copolymer backing.
- No backing pad required.
- Grinds, sands, levels weld seams and is an excellent rust/paint remover.
- Aluminum oxide discs.

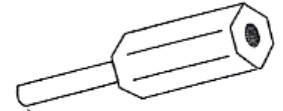


J&B #	SIZE	PRINT COLOR	GRIT	QTY
20441	3"	WHITE	24	25
20442	3"	RED	36	25
20443	3"	ORANGE	60	25
20444	3"	GREEN	120	25

* All boxes contain 1 mandrel.

HEX PREMIUM MANDREL

J&B #	SIZE	QTY
20450	1/4"	EA



MINI FLAP DISCS

- Long life performance of a flap disc for use in confined spaces.
- More material, longer life than a single layer laminated disc.
- Roloc style allows easy changeover.



J&B #	SIZE	GRIT	QTY
59114	2"	40	EA
59115	2"	80	EA
59117	3"	40	EA
59118	3"	80	EA
40448	2" Arbor (1/4" shank)		EA
40449	3" Arbor (1/4" shank)		EA

ABRASIVE PRODUCTS

ROLON SURFACE CONDITIONING DISCS

FOR USE ON RIGHT ANGLE SANDERS & GRINDERS



- Non-woven surface conditioning products are ideal for deburring, cleaning, blending, and polishing.
- Use on mild steel, stainless, aluminum, plastic or wood.
- Connects quickly and easily to its arbor with a 1/2 right twist and removes with a 1/2 left twist.



J&B #	SIZE	GRIT	COLOR	QTY
38899	2"	FINE	BLUE	25
^ 41988	2"	FINE	BLUE	25
40440	2"	MEDIUM	MAROON	25
^ 41893	2"	MEDIUM	MAROON	25
^ 41894	2"	MEDIUM	MAROON	50
** 20449	2"	MEDIUM	MAROON	50
40442	2"	COARSE	BROWN	25
^ 41895	2"	COARSE	BROWN	25
^ 41896	2"	COARSE	BROWN	50
** 20448	2"	COARSE	BROWN	50
38900	3"	FINE	BLUE	25
40444	3"	MEDIUM	MAROON	25
^ 41897	3"	MEDIUM	MAROON	25
40446	3"	COARSE	BROWN	25
^ 41898	3"	COARSE	BROWN	25
40448	2" Arbor (1/4" shank)			EA
40449	3" Arbor (1/4" shank)			EA

** GEMTEX

^ SHARK

VELCRO SURFACE CONDITIONING DISCS

FOR USE ON RIGHT ANGLE SANDERS & GRINDERS



- Non-woven surface conditioning products are ideal for deburring, cleaning, blending, and polishing.
- Use on mild steel, stainless, aluminum, plastic or wood.
- This disc pad connects quickly and easily to any power tool while holding surface conditioning discs securely and safely through the use of dual lock fastening system.



J&B #	SIZE	GRIT	COLOR	QTY
40420	2"	MEDIUM	MAROON	25
40422	2"	COARSE	BROWN	25
40430	2" Arbor (1/4" shank)			EA

ABRASIVE PRODUCTS

INTERLEAF WHEELS

- Mandrel mounted on fixed 1/4" solid shank.
- Medium grade. Excellent for removing heavy oxidation, blending, cleaning and deburring.
- Very fine grade. Excellent for grain finishing, satin finishing and linear scratch patterns.



J&B #	DIA x THICKNESS	GRIT	GRADE	MAX RPM	QTY
46130	2 x 1	60	MEDIUM	15,000	EA
46131	2 x 1	80	MEDIUM	15,000	EA
46132	2 x 1	120	VERY FINE	15,000	EA

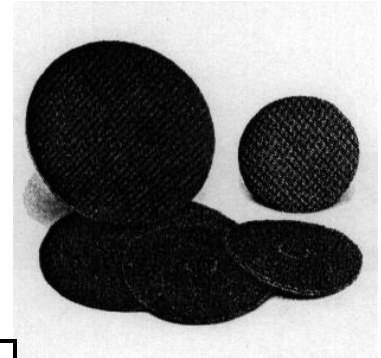
NON WOVEN SURFACE CONDITIONING DISCS

Hook & Loop

FOR USE ON RIGHT ANGLE GRINDERS



- Ideal for deburring, cleaning, blending and polishing.
- Use on mild steel, stainless, aluminum, plastic or wood.
- Gripper pad is made perfectly flat from high impact plastics to ensure maximum support and disc adhesion.



J&B #	SIZE	GRIT	COLOR	QTY
45680	7"	FINE	BLUE	10
45681	7"	MEDIUM	MAROON	10
45682	7"	COARSE	BROWN	10
45683	7" Gripper Pad (5/8-11" shank)			EA

ROLOC UNITIZED WHEEL

- Roloc unitized wheels are strong, efficient products for edge deburring and finishing.
- They perform well in a variety of metal working applications and on intricate machined parts where close tolerances are important.
- The Roloc holding systems make changing unitized wheels quick and easy.



J&B #	SIZE	GRIT	COLOR	QTY
40477	2"	MEDIUM	TAN	5
40448	2" Arbor (1/4" shank)			EA

ABRASIVE PRODUCTS

MOUNTED GRINDING STONES

Premium Quality

FOR USE ON DIE GRINDERS



- Aluminum oxide vitrified bonded wheels are for all kinds of grinding, deburring, blending and contouring of ferrous and non-ferrous metals.
- Different shapes give access to hard-to-reach areas.



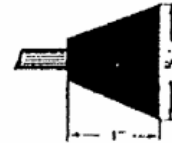
40680
(IND. # A3)



40681
(IND. # A11)



40682
(IND. # A21)



40683
(IND. # A31)



40684
(IND. # A36)



40685
(IND. # B52)



40686
(IND. # W163)



40687
(IND. # W185)



40688
(IND. # W215)



40689
(IND. # W220)



40690
(IND. # W235)



40691
(IND. # W236)

J&B #	IND #	ABRASIVE SHAPE		MANDREL SIZE	MAX RPM	QTY
		DIAM	THICK			
40680	A3	1	2-3/4	1/4	16,100	2
40681	A11	7/8	2	1/4	19,860	2
40682	A21	1	1	1/4	34,500	2
40683	A31	1-3/8	1	1/4	27,780	2
40684	A36	1-5/8	3/8	1/4	23,520	2
40685	B52	3/8	3/4	1/8	45,370	2
40686	W163	1/4	1/2	1/8	60,000	2
40687	W185	1/2	1/2	1/8	34,500	2
40688	W215	1	1/8	1/8	38,200	2
40689	W220	1	1	1/4	25,500	2
40690	W235	1-1/2	1/4	1/4	25,470	2
40691	W236	1-1/2	1/2	1/4	25,470	2

GROUP A SHAPES: Use for medium to heavy duty blending and contouring.

GROUP B SHAPES: Best for light deburring and blending.

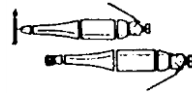
GROUP W SHAPES: Suited for off-handed and precision grinding where medium to heavy stock removal is required.



ABRASIVE PRODUCTS

WIRE END BRUSHES

FOR USE ON STRAIGHT GRINDERS



- Use crimped for softer and knotted for more aggressive brushing.
- Use with portable tools or drill presses.
- Ideal for tight to get at areas and blind holes.



APPLICATIONS:

- Carbon Cleaning
- Die, Mold and Tool Polishing
- Rust or Paint Removal
- Burr Removal
- Weld Cleaning
- Rubber or Plastic Removal
- Spot Facing
- Cleaning Castings

42120 / 20960 /

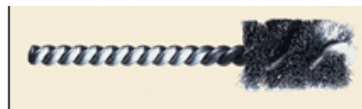
20961
CRIMPED

45702 /
41192
KNOTTED

J&B #	DIA	SHANK	WIRE SIZE	TRIM LENGTH	MAX. SAFE FREE SPEED (RPM)	QTY
20960	1/2"	1/4"	.020	1"	22,000	EA
20961	1"	1/4"	.020	1"	20,000	EA
42120	1-3/4"	1/4"	.012	1"	20,000	EA
45702	3/4"	1/4"	.014	1"	20,000	EA
41192	1-1/8"	1/4"	.020	1"	20,000	EA

TUBE BRUSH

- Deburring and cleaning drilled holes and internal threads, cleaning and finishing internal diameters of pipes and tubes, deburring and cleaning keyways and grooves.



J&B #	DIA	BRUSH LENGTH	OVERALL LENGTH	FILAMENT/ DIAMETER	QTY
41326	7/8"	1"	3-1/2"	.006 CARBON	EA

ABRASIVE PRODUCTS

KNOT WIRE CUP BRUSH

FOR USE ON ANGLE GRINDERS



- Knot wheels provide high impact brushing action for heavy surface conditioning applications.

J&B #	DIA	ARBOR	WIRE SIZE	MATERIAL	MAX. SAFE FREE SPEED (RPM)	QTY
V41877	2-3/4"	5/8-11	.020	Carbon	14,000	EA
41790	3-1/2"	5/8-11	.020	Carbon	12,500	EA
41193	4"	5/8-11	.020	Carbon	9,000	EA

LARGE CRIMPED WIRE CUP BRUSH

FOR USE ON LARGE ANGLE GRINDERS



- For general purpose cleaning and deburring.
- Ideal for light cleaning and paint removal.
- Ideal for flat surfaces and edge cleaning.

J&B #	DIA	ARBOR	WIRE SIZE	MATERIAL	MAX. SAFE FREE SPEED (RPM)	QTY
41791	2-3/4"	5/8-11	.014	Carbon	14,000	EA
41872	3-1/2"	5/8-11	.014	Carbon	12,500	EA

CRIMPED WIRE CUP BRUSH

FOR USE ON DIE GRINDERS, POWER DRILLS, RIGHT ANGLE AIR DIE GRINDERS



J&B #	DIA	ARBOR	WIRE SIZE	MATERIAL	MAX. SAFE FREE SPEED (RPM)	QTY
45729	2"	1/4"	.0118	Carbon	13,000	EA

ABRASIVE PRODUCTS

CRIMPED WIRE WHEEL

FOR USE ON ANGLE GRINDERS



- For light rust and oxide removal, cleaning and conditioning.
- Crimped wire wheel brushes have higher flexibility than knotted wire for application on irregular surfaces and where lighter brushing is required.

J&B #	DIAM	FACE	ARBOR	WIRE SIZE	MAX. SAFE FREE SPEED (RPM)	QTY
40433	4"	1/2"	5/8-11	.014	15,000	EA

KNOTTED WIRE WHEEL

FOR USE ON ANGLE GRINDERS



- Provide high impact action to remove weld scale and splatter.
- Ideal for general cleaning.

J&B #	DIAM	FACE	ARBOR	WIRE SIZE	MAX. SAFE FREE SPEED (RPM)	QTY
40434	4"	3/8"	5/8-11	.020	20,000	EA

KNOTTED WIRE WHEEL

FOR USE ON RIGHT ANGLE SANDERS & GRINDERS



- Cleaning, deburring, roughening.

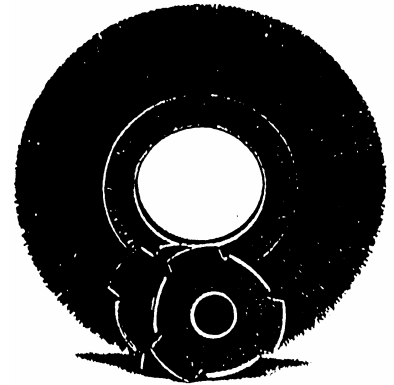
J&B #	DIAM	FACE	ARBOR	WIRE SIZE	MAX. SAFE FREE SPEED (RPM)	QTY
45731	3"	3/8"	1/4"	.014	25,000	EA

ABRASIVE PRODUCTS

CRIMPED WIRE WHEELS

Carbon Steel

FOR USE ON BENCH GRINDERS



- Designed for maximum productivity; good filament density and additional section construction for extra rigidity.
- Excellent for refining metal surfaces, preparing rubber in vulcanizing, blending surfaces, removing light burrs, paint and corrosion.

J&B #	DIAM.	WIRE SIZE	WIDTH	ARBOR	MAX RPM	QTY
39175	6"	.014	1/2"	1/2, 5/8	6,000	EA
39094	8"	.014	1"	1/2, 5/8	4,500	EA

* Part #39094 comes with 1/2 and 5/8 arbor;
3/4 arbor must be ordered separately.

J&B #	ARBOR
1403	3/4 - (for 8" wheel)

T-C CARBON STEEL WHEELS

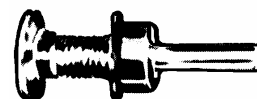
FOR USE ON MINI GRINDERS



- Designed for use in restricted or hard-to-reach areas.
- Used for deburring, blending and cleaning of surfaces.

J&B #	DIAM.	WIRE SIZE	WIDTH	ARBOR	MAX RPM	QTY
40141	2"	.012	1/4	1/2	20,000	EA
40142	2-1/2"	.014	1/4	1/2	20,000	EA
40143	3"	.012	1/4	1/2	20,000	EA

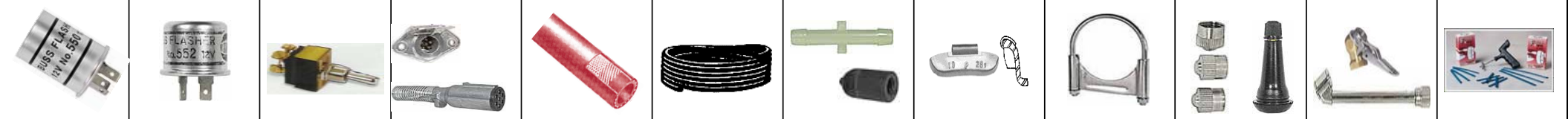
ARBOR



Metal arbor for use in portable tools and drill presses with 1/4" capacity chucks 1/4" shank, 1/2" diameter brush to be used in adapting small diameter brushes with 1/2" diameter hole. **DO NOT USE WITH GRINDING WHEELS.**

J&B #	QTY
40140	EA






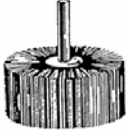
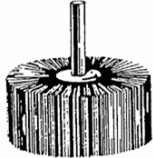
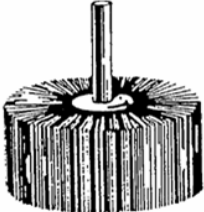

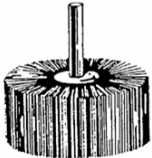
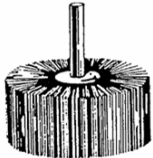
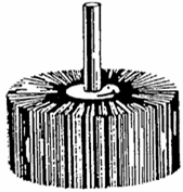

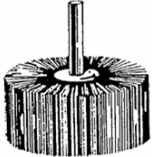
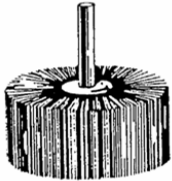
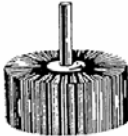
J&B Fleet - Industrial Supply

22428 Harrisburg-Westville Rd. Alliance, Ohio 44601 Phone: (330) 821-6342 Fax: (330) 821-0411

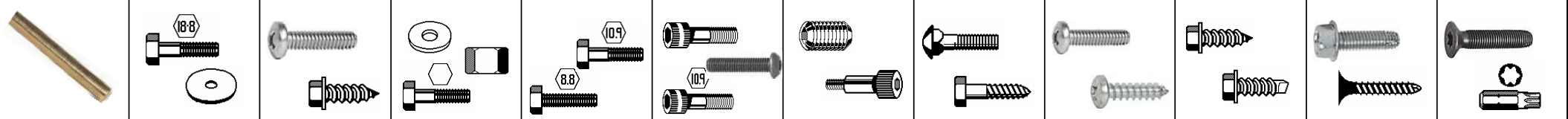
www.jbfleet.com

PART # 2202

FLAP WHEELS

<p>40654</p>  <p>1 1" DIA 60 GRIT</p>	<p>42388</p>  <p>1 1-1/2" DIA 80 GRIT</p>	<p>40662</p>  <p>1 2" DIA 120 GRIT</p>	<p>42395</p>  <p>1 3" DIA 60 GRIT</p>
<p>40655</p>  <p>1 1" DIA 80 GRIT</p>	<p>42391</p>  <p>1 2" DIA 60 GRIT</p>	<p>40664</p>  <p>1 2" DIA 180 GRIT</p>	<p>42397</p>  <p>1 3" DIA 120 GRIT</p>
<p>42385</p>  <p>1 1" DIA 120 GRIT</p>	<p>40660</p>  <p>1 2" DIA 80 GRIT</p>	<p>42393</p>  <p>1 2-1/2" DIA 80 GRIT</p>	
<p>42387</p>  <p>1 1-1/2" DIA 60 GRIT</p>			











J&B Fleet - Industrial Supply

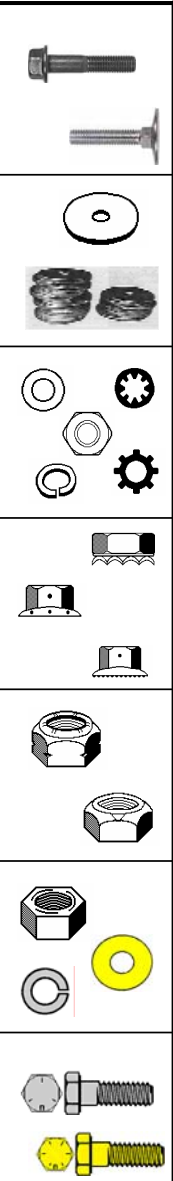
22428 Harrisburg-Westville Rd. Alliance, Ohio 44601 Phone: (330) 821-6342 Fax: (330) 821-0411

www.jbfleet.com

PART # 2131

ROLON SURFACE DISCS

<p>40444 1</p>  <p>3" MEDIUM</p> <p>10</p>	<p>40446 2</p>  <p>3" COARSE</p> <p>10</p>	<p>40440 3</p>  <p>2" MEDIUM</p> <p>10</p>	<p>40442 4</p>  <p>2" COARSE</p> <p>10</p>
<p>Non-woven surface conditioning discs are ideal for deburring, cleaning, blending, and polishing. Use on mild steel, stainless, aluminum, plastic or wood.</p>		<p>40448 5</p>  <p>2" ARBOR</p> <p>1</p>	<p>40449 6</p>  <p>3" ARBOR</p> <p>1</p>














J&B Fleet - Industrial Supply

www.jbfleet.com

22428 Harrisburg-Westville Rd. Alliance, Ohio 44601 Phone: (330) 821-6342 Fax: (330) 821-0411

PART # 2204

ROL-ON SANDING DISCS

<p>1</p> <p>41952</p>  <p>5</p> <p>2" 120 GRIT 3M</p>	<p>2</p> <p>41950</p>  <p>5</p> <p>2" 36 GRIT 3M</p>	<p>3</p> <p>38966</p>  <p>3</p> <p>3" 80 GRIT</p>
<p>4</p> <p>41981</p>  <p>5</p> <p>2" 80 GRIT 3M</p>	<p>5</p>	<p>6</p> <p>38896</p>  <p>3</p> <p>3" 50 GRIT</p>
<p>7</p> <p>41980</p>  <p>5</p> <p>2" 50 GRIT 3M</p>	<p>8</p> <p>41979</p>  <p>3</p> <p>2" 24 GRIT 3M</p>	<p>9</p> <p>38897</p>  <p>3</p> <p>3" 36 GRIT</p>
<p>10</p>	<p>11</p>	<p>12</p> <p>38898</p>  <p>3</p> <p>3" 24 GRIT</p>






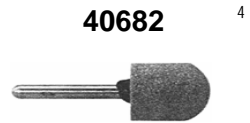
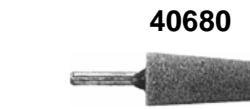

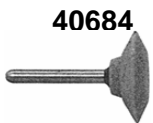
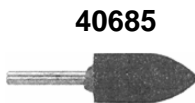

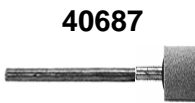
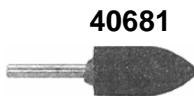
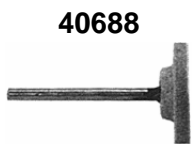

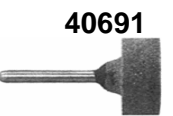
J&B Fleet - Industrial Supply

22428 Harrisburg-Westville Rd. Alliance, Ohio 44601 Phone: (330) 821-6342 Fax: (330) 821-0411

www.jbfleet.com

PART # 2139

MOUNTED STONES

 40690 IND # W235	2 1	 40682 IND #A21	4 1	 40680 IND # A3	5 6 1
 40683 IND # A31	7 8	 40684 IND # A36	9 10 1	 40685 IND # B52	11 12
 40686 IND # W163	13 14 1	 40687 IND # W185	15 16 1	 40681 IND # A11	17 18 1
 40688 IND # W215	19 20	 40689 IND # W220	21 22 1	 40691 IND # W236	23 24 1

