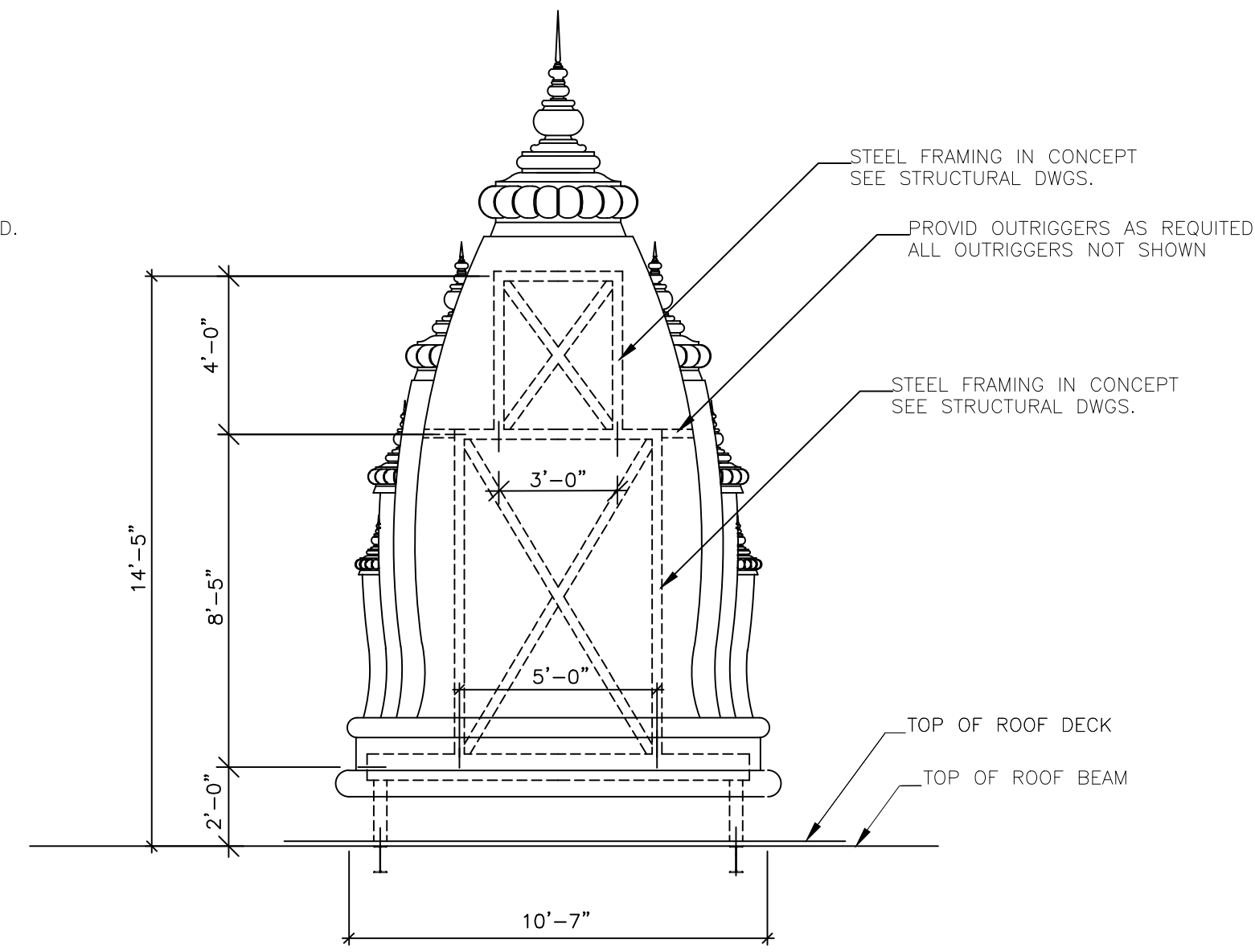
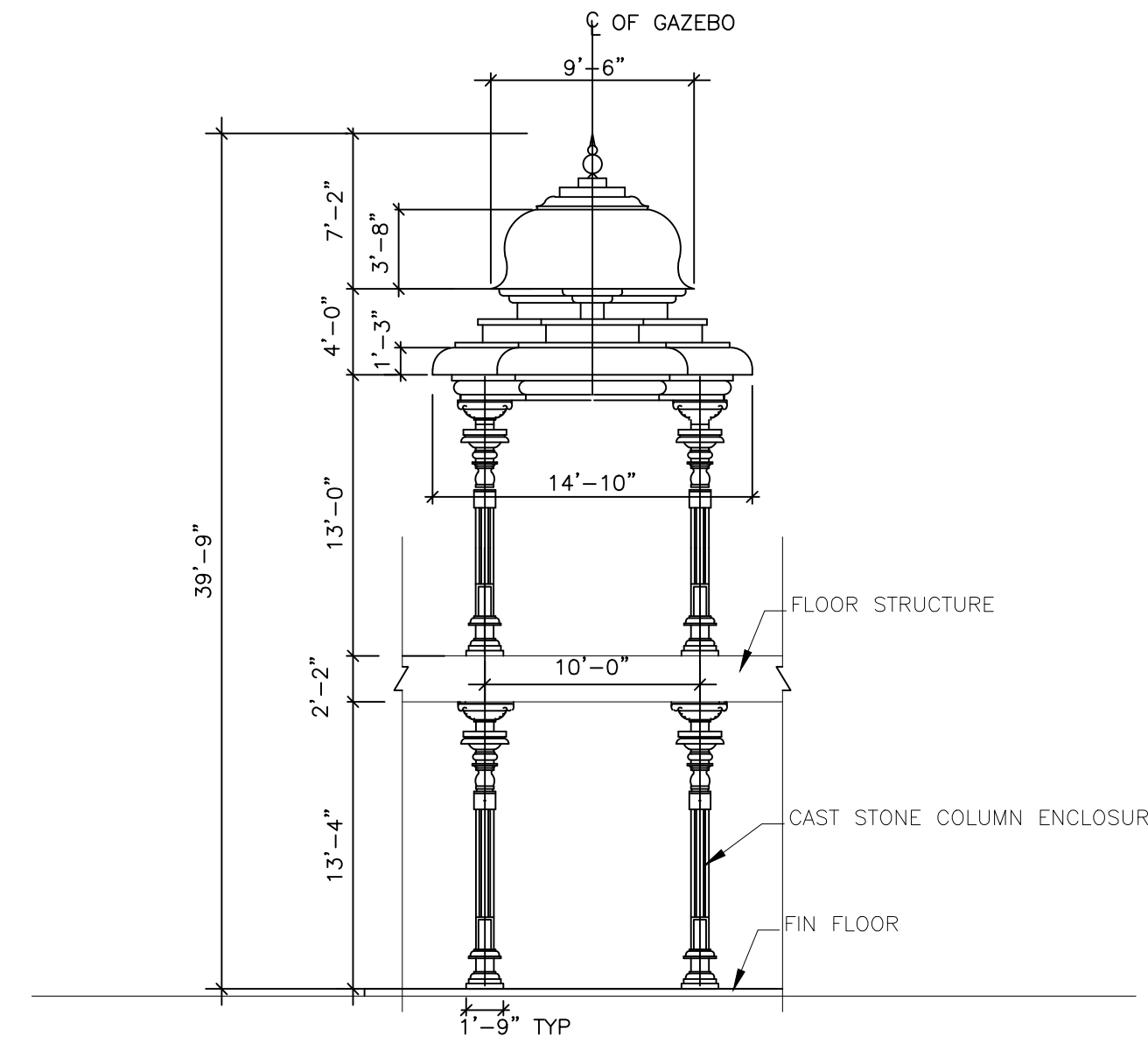


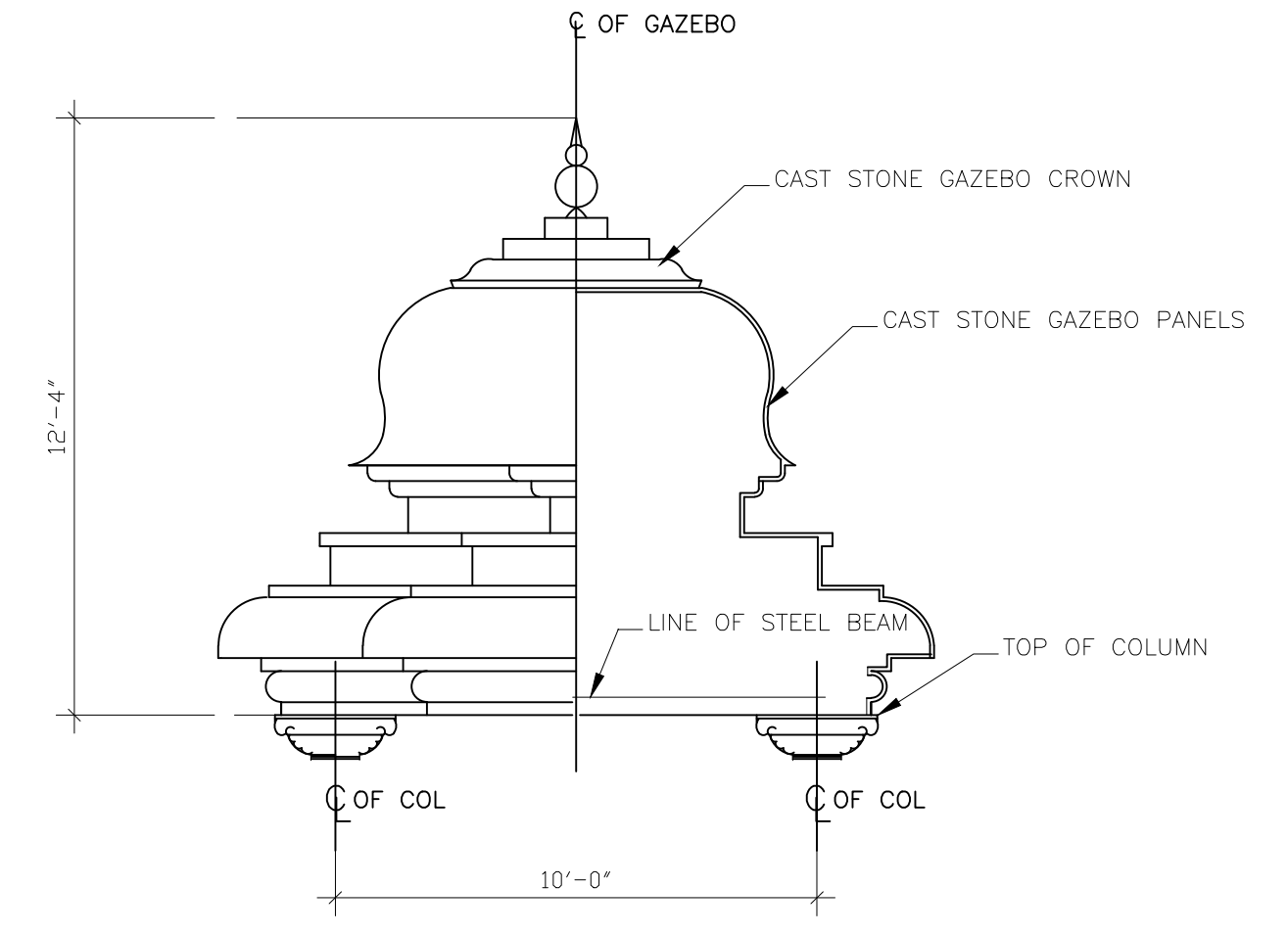
MEDIUM SHIKHAR FRAMING 5
SCALE : NTS FOR CONCEPT ONLY A-16



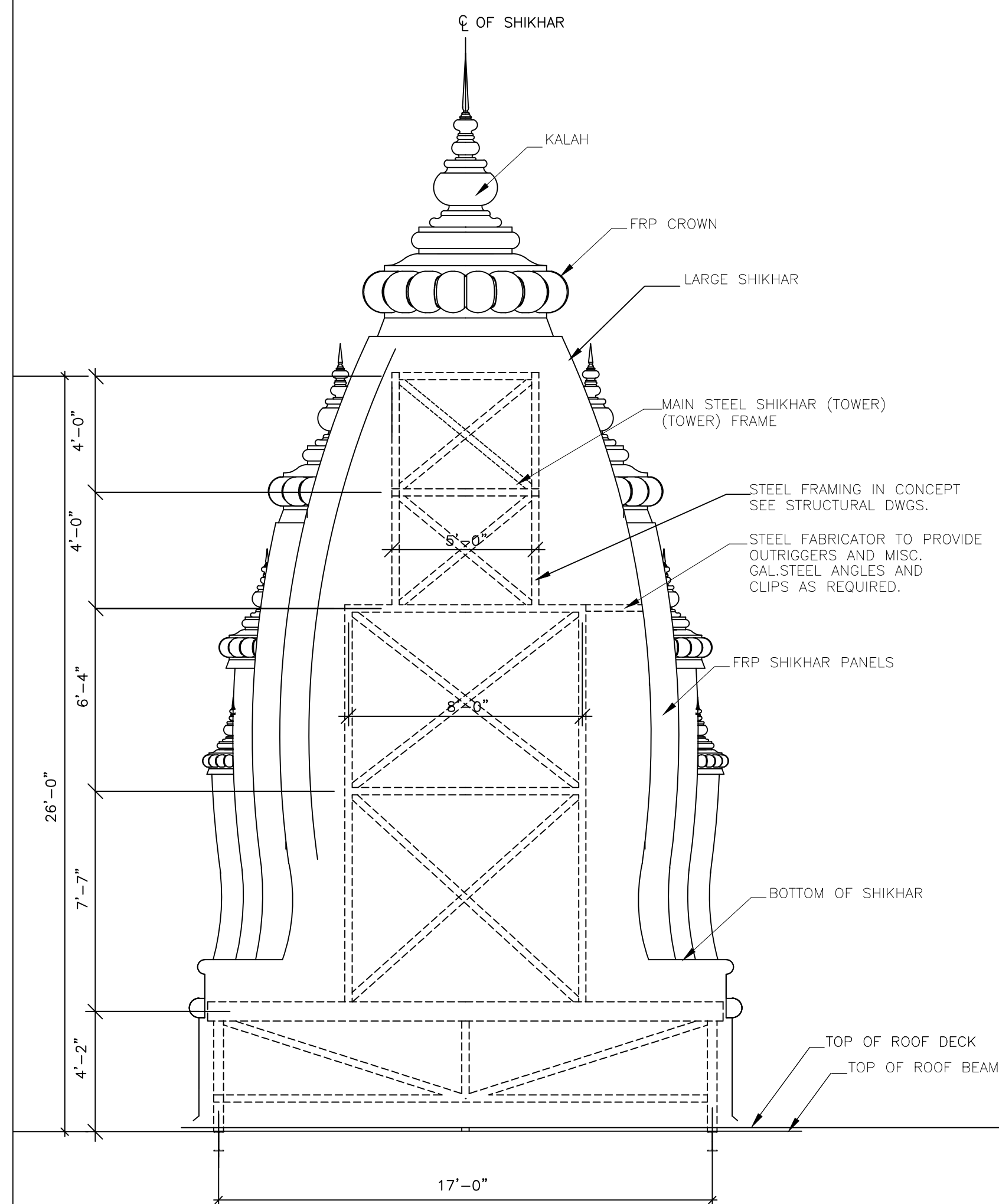
SMALL SHIKHAR FRAMING 6
SCALE : NTS FOR CONCEPT ONLY A-16



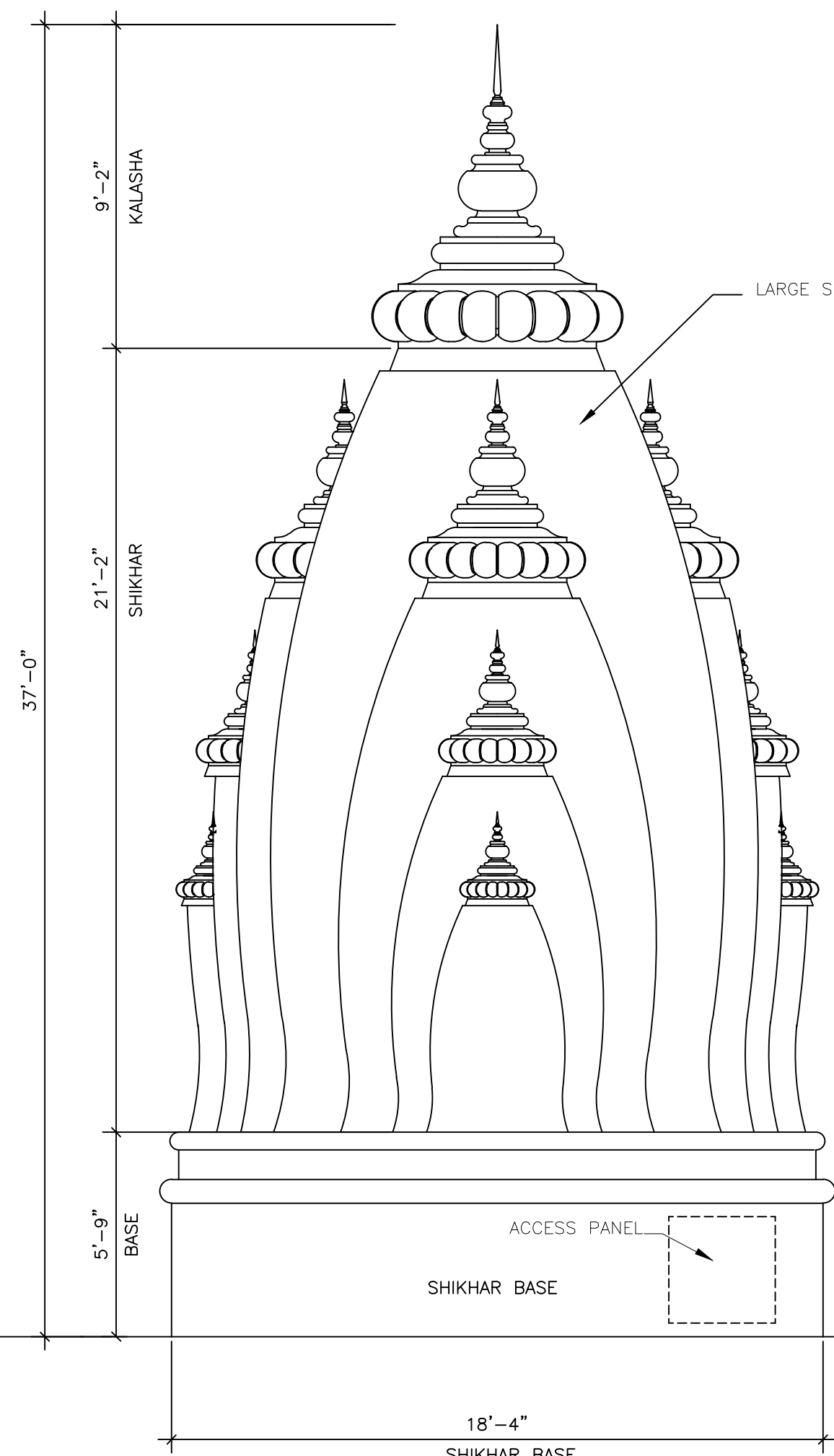
PART. GAZEBO ELEVATION 7
SCALE : NTS
NOTE: SEE ELEVATIONS ON DWG A-3 AND A-4 FOR GAZEBO CAST STONE DESIGN A-16



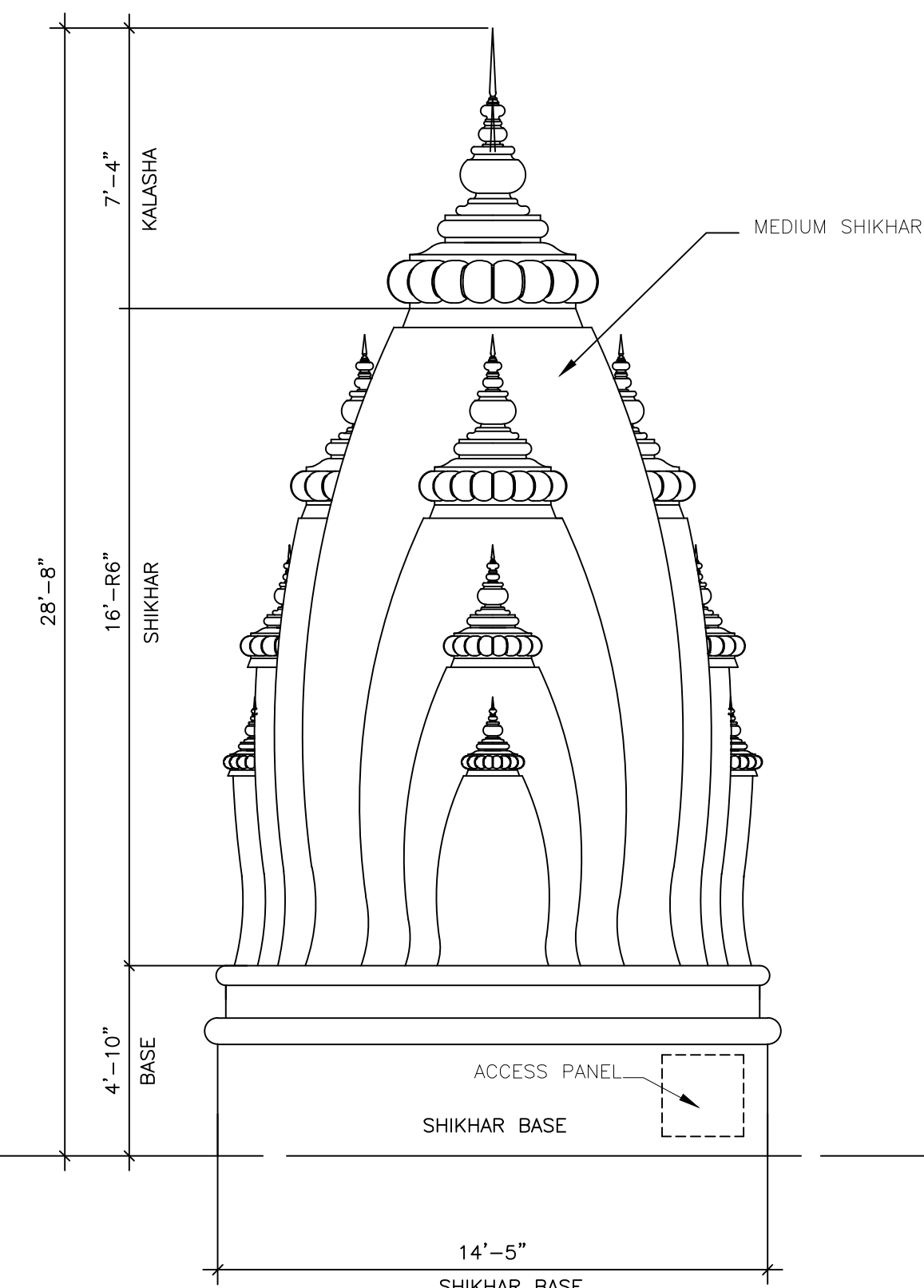
PART SECTION - EVEVATON OF GAZEBO 8
SCALE : NTS
NOTE: SEE ELEVATIONS ON DWG A-3 AND A-4 FOR GAZEBO CAST STONE DESIGN A-16



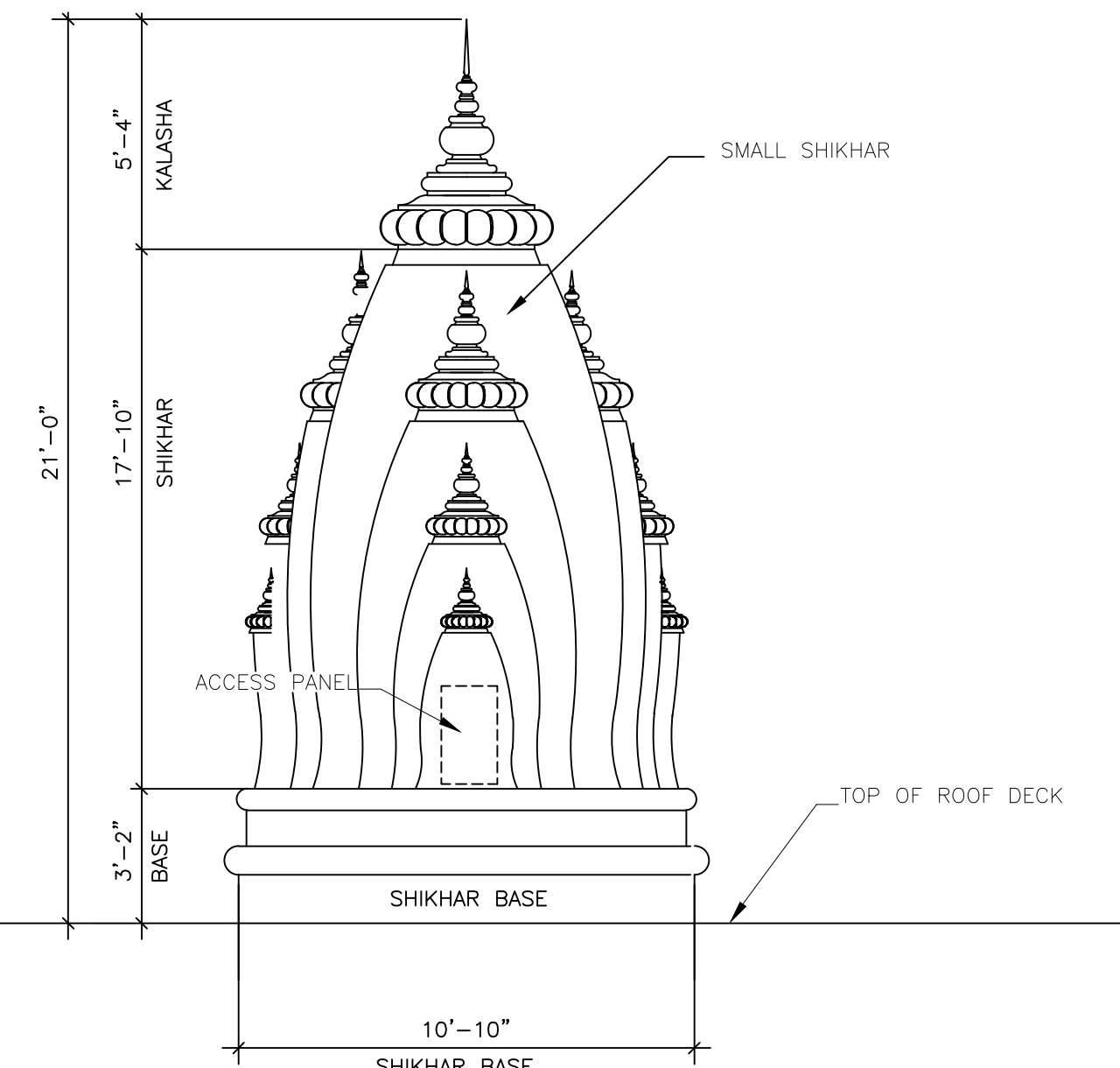
LARGE SHIKHAR STEEL FRAMING 4
SCALE : 1/4" = 1' - 0" FOR CONCEPT ONLY A-16



LARGE SHIKHAR 3
SCALE : NTS
NOTE : ALL STEEL FRAMING FOR SHIKHARS TO BE GALVANIZE STEEL UNO. A-16



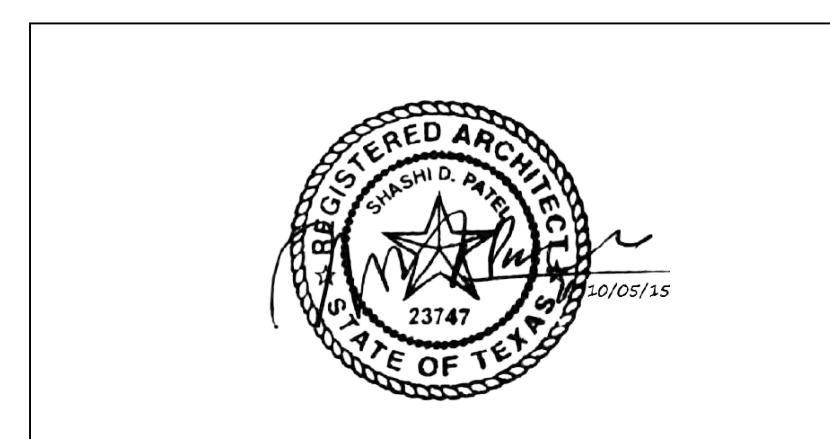
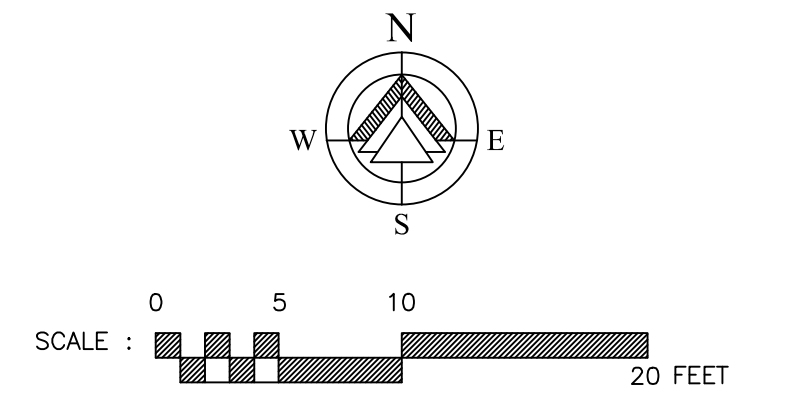
MEDIUM SHIKHAR 2
SCALE : NTS A-16



SMALL SHIKHAR 1
SCALE : NTS A-16

NOTE :

- 1. SEE STR. PLANS FOR STRUCTURAL DETAILS
- 2. FOR ALL STEEL FRAMING DIMENTIONS SEE FIBER GLASS FABRICATOR'S SHOPDRAWINGS.
- 3. VERIFY ALL STEEL FRAMING DIMENTIONS WITH FIBER GLASS FABRICATOR'S SHOPDRAWINGS.
- 4. SEE DRAWING A-17 FOR ADDITIONAL DETAILED SPECIFICATIONS



rev
rev
date 10-05-2015 released for const.
scale AS NOTED
drawn by CADD-SPA

SHASHI D. PATEL AIA NCARB
ARCHITECTS AND PLANNERS
442 EAST END AVE. STE-B. PITTSBURGH PA 15221

SHIKHAR GAZEBO SECTIONS AND DETAILS
CONSTRUCTION DOCUMENT PHASE

RADHA KRISHNA TEMPLE
ALLEN TEXAS