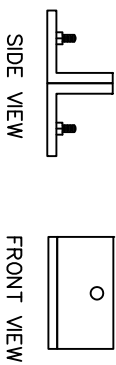


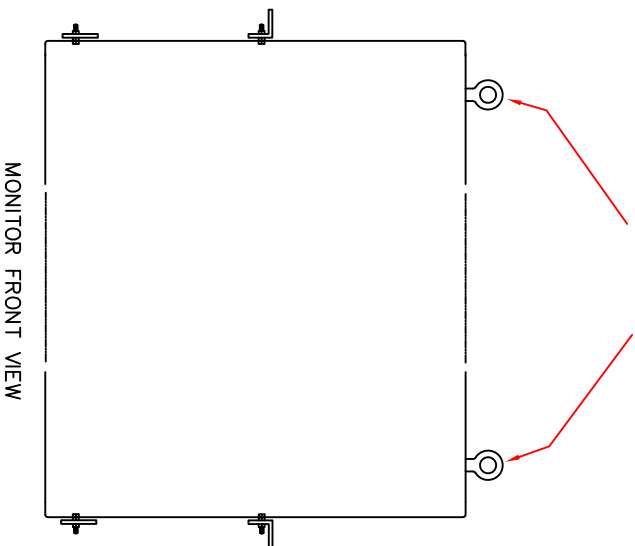
MODIFICATIONS REQUIRED TO ACCOMMODATE NEW GM SAFETY CABLE REQUIREMENTS
PERFORM ALL MODIFICATIONS WITH 990 SYSTEM ON THE GROUND

S/N	REVISION	APP. DATE
A	ADDED SAFETY CABLE NOTE CHANGED TORQUE ON CONTROL BOX NUT.	BG 01/23/16
B	ITEMS MOVED TO PAGES 2,3,4,5	BG 02/03/16

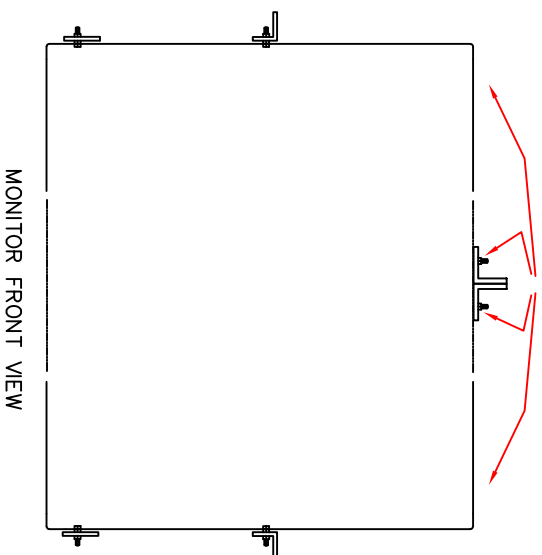
SAFETY CABLE BRACKET C1 AND C2



STEP 1 - REMOVE EYE NUTS ON TOP OF DISPLAY (2 PER DISPLAY)



STEP 2 - USE EXISTING BOLTS AND WASHERS, SLIDE TO THE CENTER OF DISPLAY TO MOUNT C1 (BACK DISPLAY) AND C2 (FRONT DISPLAY) BRACKET USING NYLOC NUTS AT 10 FT LBS OF TORQUE.



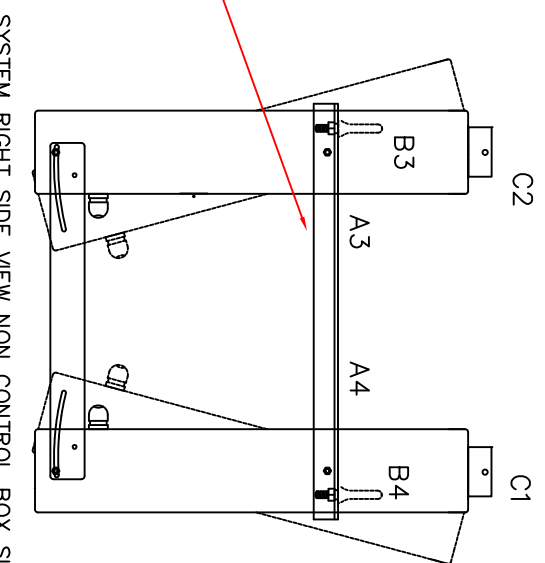
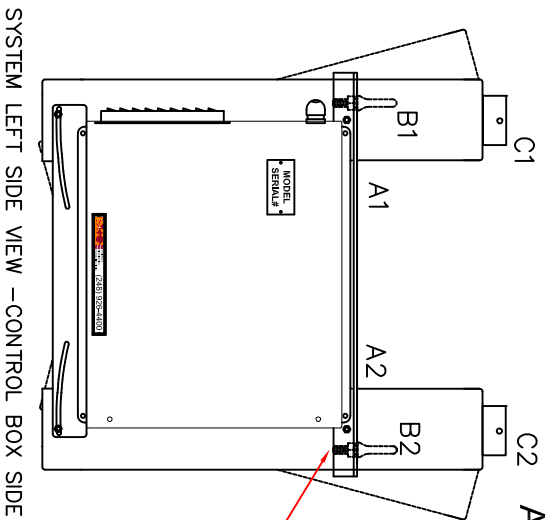
Installation contractor responsible for all local practices/codes and structural load verification

<p>SOC Stable Controls Corporation</p> <p>30460 WIXOM ROAD WIXOM, MI 48189 FAX (248) 926-4412</p>	Customer Approval	By	Approved for Prod.	Released for Prod.	Scale	Drawn	Checked	Drawn	Scale	Drawn	Checked
	MT	MT	W/20/200	1/1	N/A	1/1	1/1	1/1	1/1	1/1	1/1
<p>THE FLEXIBLE ANDON BOARD SAFETY CABLE MODIFICATION DRAWING</p>		Part # SGC 990 Part # 990INST MOD		Page # 1 of 5 990INST MOD							

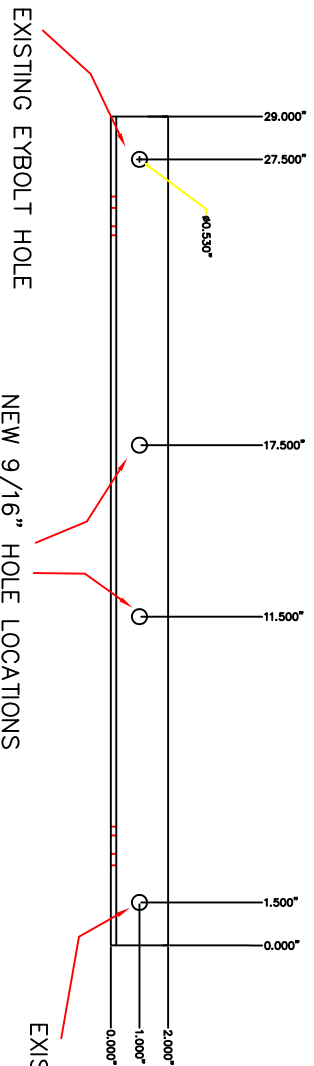
MODIFICATIONS REQUIRED TO ACCOMMODATE NEW GM SAFETY CABLE REQUIREMENTS
PERFORM ALL MODIFICATIONS WITH 990 SYSTEM ON THE GROUND

SYM	REVISION	APP. DATE
A	ADDED SAFETY CABLE NOTE CHANGED TORQUE ON CONTROL BOX NUT.	BG 01/26/16
B	ITEMS MOVE TO PAGES 3,4,5	BG 02/03/16

STEP 3 - DRILL 9/16" HOLE FOR A1, A2, A3, AND A4.



STEP 3 - DRILL TWO 9/16" HOLES IN EACH SIDE HANGING BRACKET FOR A1, A2, A3, AND A4.



Installation contractor responsible for all local practices/codes and structural load verification

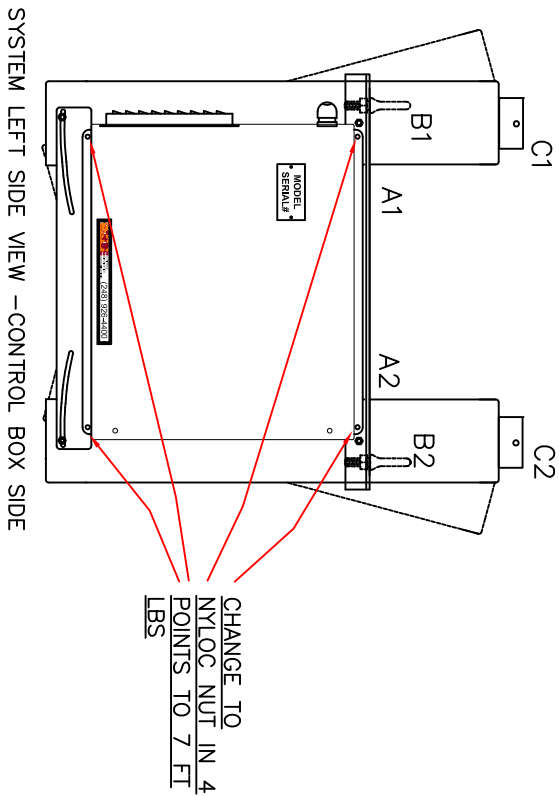
**RIGGING POINTS - A1, A2, A3, A4 WITH
 INSTALLATION CONTRACTORS HARDWARE.
 SAFETY CABLE POINTS - A1 TO A4, AND C1 TO
 C2.**

<p>SOC Stable Controls Corporation</p> <p>30440 WINXOM ROAD WINXOM, MI 48394 FAX (248) 926-4412</p>	Customer Approved By	MTT	THE FLEXIBLE ANDON BOARD
	Requested for Field Use	App	SAFETY CABLES MODIFICATION DRAWING
<p>Part # SGC 990</p> <p>File # 990INST MOD</p>	<p>Scale</p> <p>1/16" = 1"</p>	<p>Drawn</p> <p>Checked</p>	<p>Rev #</p> <p>1</p>

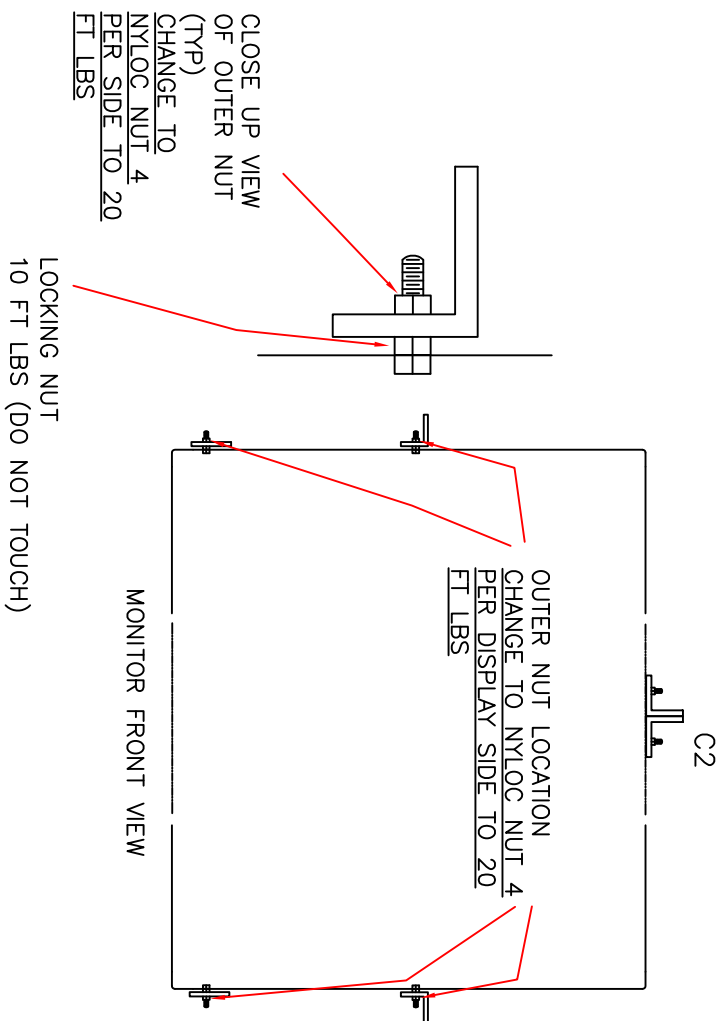
MODIFICATIONS REQUIRED TO ACCOMMODATE NEW GM SAFETY CABLE REQUIREMENTS
PERFORM ALL MODIFICATIONS WITH 990 SYSTEM ON THE GROUND

S/N	REVISION	APP. DATE
A	ADDED SAFETY CABLE NOTE CHANGED TORQUE ON CONTROL BOX NUT.	BG 01/26/16
B	PAGE ADDED	BG 02/03/16

STEP 4 - REPLACE (4) HOLDING NUTS ON CONTROL BOX WITH NYLOC NUTS. TORQUE TO 7 FT LBS.



STEP 5 - REPLACE OUTER NUTS (4) PER DISPLAY ON SIDE BRACKETS WITH NYLOC NUTS. TORQUE TO 20 FT LBS.



Installation contractor responsible for all local practices/codes and structural load verification

<p>SOC Stable Controls Corporation</p> <p>30460 WIXOM ROAD WIXOM, MI 48186 FAX (248) 926-4412</p>	Customer Approval	By	Date	Released for Prod.	Manufact. Release
	<p>MT Flexible Andon Board Safety Cable Modification Drawing</p> <p>990INST MOD</p>	<p>30460 WIXOM ROAD WIXOM, MI 48186 FAX (248) 926-4412</p>	<p>01/20/16</p>	<p>1/20/16</p>	<p>1/20/16</p>

MODIFICATIONS REQUIRED TO ACCOMMODATE NEW GM SAFETY CABLE REQUIREMENTS
PERFORM ALL MODIFICATIONS WITH 990 SYSTEM ON THE GROUND

SYM	REVISION	APP DATE
A	ADDED SAFETY CABLE NOTE CHANGED TORQUE ON CONTROL BOX NUT.	BG 01/26/16
B	PAGE ADDED	BG 02/03/16

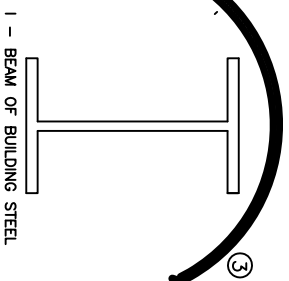
SCC TESTING (VERTICAL LOAD)

B1, B2, B3, OR B4 - SUCCESSFUL AT 1400 LBS PER POINT
 C1, OR C2 - SUCCESSFUL AT 1400 LBS PER POINT

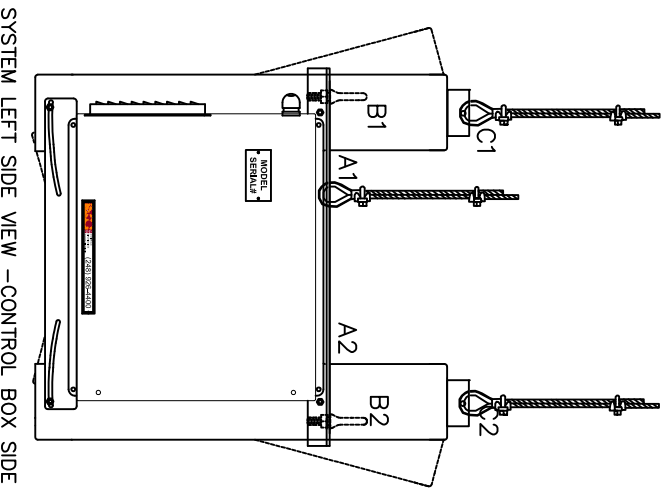
**RIGGING POINTS - A1, A2, A3, A4 WITH
 INSTALLATION CONTRACTORS HARDWARE.**

**MOUNTING POINTS - B1, B2, B3, B4 WITH
 CHAIN AS SHOWN ON PAGE 5.**

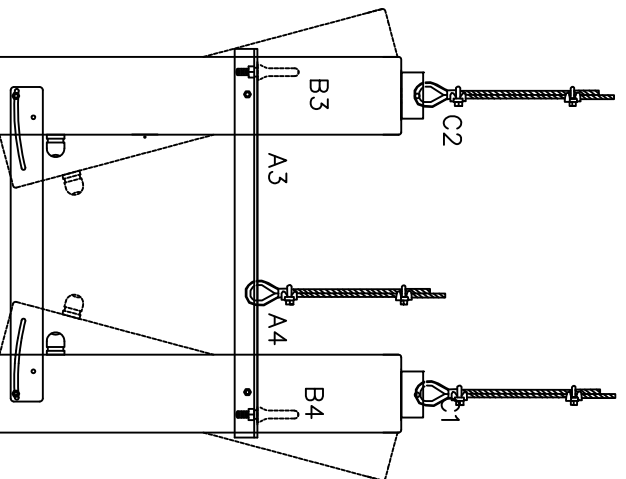
**SAFETY CABLE POINTS - A1 AROUND BUILDING
 STEEL TO A4, AND C1 AROUND BUILDING
 STEEL TO C2**
**NOTE: DO NOT LEAVE MORE THAN 2" OF SLACK
 IN SAFETY CABLE.**



(2) SAFETY CABLES REQUIRED FOR EACH DISPLAY BOARD SYSTEM. LOOP AROUND BUILDING STEEL.
 (2) CROSBY CLAMPS AT EACH CONNECTION. CABLE SHALL NOT BE ROUTED OVER SHARP EDGES.
 NOTE: DO NOT LEAVE MORE THAN 2" OF SLACK IN SAFETY CABLE.



SYSTEM LEFT SIDE VIEW -CONTROL BOX SIDE



SYSTEM RIGHT SIDE VIEW NON CONTROL BOX SIDE

Installation contractor responsible for all local practices/codes and structural load verification

<p>30460 WIXOM ROAD WYANDOT, MI 48186 FAX (248) 926-4412</p>	Outside Michigan Communications	Customer Approval By: _____ Date: _____ Title: _____	Released for Prod. Date: _____ Scale: _____ N/A	THE FLEXIBLE ANDON BOARD SAFETY CABLE MODIFICATION DRAWING Part # 990INST MOD Page # 2 of 5
	Stable Controls Corporation	M.T. App: _____ Date: _____	990INST MOD	990INST MOD

5/16" GRADE 80 CHAIN WITH (2 TOP & BOTTOM)
3/8" GALV BOLT NUT & COTTER ANCHOR
SHACKLE-(3000 LB WLL)

SUPPORT FROM EACH EYEBOLT
WITH EQUAL CHAIN LENGTHS.

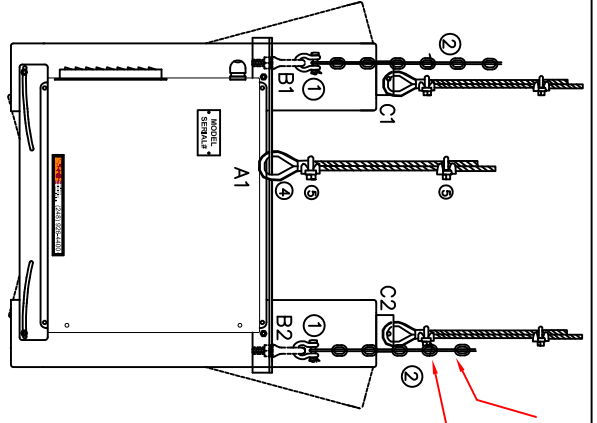
CHAIN AND UPPER AND LOWER
SHACKLES SHALL BE OF
CORROSION RESISTANT MATERIAL
AND BE RATED FOR OVERHEAD
LIFTING WITH A WORKING LOAD
LIMIT OF 3000 LBS.
VERTICAL CHAIN LOADING ONLY.

MINIMUM CLEARANCES BETWEEN BOARD
AND NEARBY SURFACES:

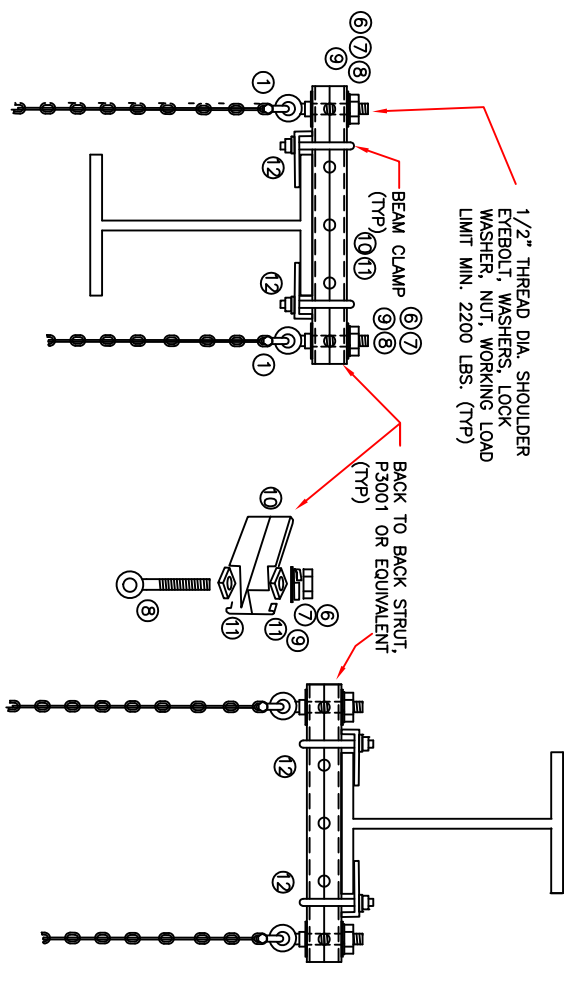
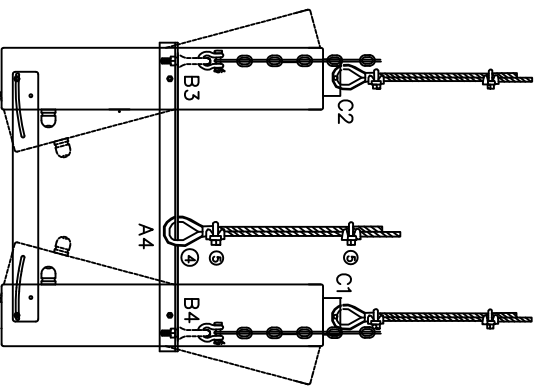
TOP: 6"
BOTTOM: 12"
SIDES: 36"
FACE: 36"

DO NOT MOUNT BOARD ABOVE
EQUIPMENT WHICH GENERATES HEAT.

SYSTEM LEFT SIDE VIEW

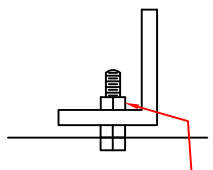


SYSTEM RIGHT SIDE VIEW



TYPICAL ATTACHMENT
OF BOARD SUPPORT CHAIN
TO BUILDING STEEL

FRONT VIEW - HOW TO ADJUST
ENCLOSURE TILT.



LOOSEN OUTER NUT ON BOTH ENDS
OF BRACKET AND ADJUST MONITOR
TO DESIRED ANGLE. TIGHTEN BOTH
NUTS TO HOLD MONITOR IN
POSITION.

NOTE: DO NOT LOOSEN LOCKING
NUT BETWEEN RIGHT ANGLE
BRACKET AND ENCLOSURE. DOING
THIS WOULD ALLOW THE CAPTIVE
BOLT TO SLIDE. LOCKING NUT
TORQUE IS 10 FT LBS

MONITOR FRONT VIEW

DB Size	System Foot Print Size	MAX (AMPS)	Weight (LBS)
70" SS LCD Monitor, with Control Box w/Music	40.5"H x 76"W x 29"D	7	210
70" DS LCD Monitor, with Control Box w/Music	40.5"H x 76"W x 29"D	10	370
65" SS LCD Monitor, with Control Box w/Music	37.5"H x 71"W x 29"D	7	170
65" DS LCD Monitor, with Control Box w/Music	37.5"H x 71"W x 29"D	10	290
55" SS LCD Monitor, with Control Box w/Music	31.5"H x 61"W x 29"D	6	150
55" DS LCD Monitor, with Control Box w/Music	31.5"H x 61"W x 29"D	9	250
42" SS LCD Monitor, with Control Box w/Music	26"H x 51"W x 29"D	5	130
42" DS LCD Monitor, with Control Box w/Music	26"H x 51"W x 29"D	8	210
Stand alone Control Box w/Music	19.5"H x 22.5"W x 8.6"D	3	50

STATIC CONTROLS 990 FLEXIBLE ANDON BOARD MOUNTING
(NOT TO SCALE)
1. LOCATION AND ELEVATION OF EACH UNIT TO BE DETERMINED IN
FIELD PER SKETCH PROVIDED BY THE GM PROJECT ENGINEER.
2. MOUNTING METHOD(S) SHOWN ARE FOR REFERENCE ONLY.
FINAL MOUNTING METHOD SHALL BE APPROVED BY CORW AND
PLANT ENGINEERING REPRESENTATIVES.

Installation contractor responsible for all local practices/codes
and structural load verification

SYM	REVISION	APP	DATE
A	ADDED SAFETY CABLE NOTE CHANGED TORQUE ON CONTROL BOX NUT.	BG	01/28/16
B	PAGE ADDED	BG	02/03/16

SOE Southern
Ingeniería
Communications

30460 WINXOM ROAD
WYCKOFF, NJ 07480
FAX (248) 926-4412

Customer Approval
By: [Signature] Date: [Date]

Released for Prod. [Date]

Scale: N/A

Project: 990-INST-MOD

Page 1 of 5