



S Pro Line

FEATURING THE GOLDEN EAGLE



The incomparable Golden Eagle! First bow to shoot perfect scores in national competition. Copied by many, but none has achieved the excellence in balance or shooting ability Ernie Root has designed into this patented bow. A perfect blend of hand-picked hardwoods, fiberglass, plastics and micro-tapered laminations of the replaceable limbs with the contoured torque-free aluminum handle promise the shooter a bow that can be precisely tuned. The metal-to-metal attachment is milled to tolerance of one thousandth of an inch, as are all other fittings. Each Golden Eagle comes complete with the Double Eagle bow sight with a full set of wrenches, an adjustable arrow plate and is packaged in a padded deluxe bow case. Weights from 25# to 40# in right or (LH) left hand. Also available with the custom handle (CH) at a slight additional charge, for those who want a flat grip or shoot with a low wrist.

The Golden Eagle "Special" was designed specifically for the short draw and woman archer who needs a shorter length bow that is lighter in mass weight. Designed so that all limbs are interchangeable without a weight change, the "Special" creates a bow that is four inches shorter than the regular Golden Eagle. The "Special" is available in right hand only in weights from 20# to 30# in the 64" length.

Extra sets of limbs are available so the shooter can have both an indoor and outdoor bow without having to get used to a new handle when he changes. Limbs are shipped in a padded case that also has room for a handle. Extra handles are also available and come complete with the Double Eagle sight mounted, a set of wrenches, gaskets and bolts.

- X300 70" Golden Eagle
- X308 68" Golden Eagle
- X306 66" Golden Eagle
- X304 64" Golden Eagle Special
- M300 70" Golden Eagle Limbs
- M308 68" Golden Eagle Limbs
- M306 66" Golden Eagle Limbs

(Note: Subtract 4" from use of limbs with the "Special" handle)

- M376 Golden Eagle Handle
- M377 Custom Golden Eagle Handle
- M378 Golden Eagle "Special" Handle

Illustration shows Golden Eagle limbs, handle, limb case and component parts.



Pro Line products available exclusively through selected Pro Shops



M390 — ADJUSTABLE ARROW REST AND PLATE: ready to install in any bow. Complete windage adjustment and positive placement locking. One per pack.



M380 — STRING PEEP: attaches to string for positive arrow alignment. Packed 12 per card.



M384 — NOCKS: highest quality available for true arrow flight. Specify $\frac{1}{4}$ " or $\frac{3}{32}$ " in fluorescent red or green. Also in white. 100 per pack.



M434 — ADJUSTABLE LEVEL: fits any place on bow by pressure sensitive tape. Can be adjusted after mounting. Eliminates accidental canting. Packed 12 per card.

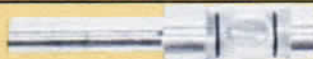


M381 — PRO BOW SQUARE: adjustments allow perfect sitting of nocking point, peep and kisser. No guess work on a new string. One per pack.

M383 — PRO BOW STRINGS: served with special monofilament designed for tournament archery. Black dacron. Specify bow length and size: 8 strand, 10 strand, 12 strand or 14 strand. One per pack.



M433 — DOUBLE KLICKER: an absolute check on draw and back tension. A must for every serious archer. Packed 12 per card.



M440 — PRO SIGHT LEVEL: fits on new deluxe slide block. See picture of M417. Packed 12 per card.

MT-36 — PRO MATT: 36" matt, very light weight (only 3 lbs.) yet holds arrows from any weight bow. A great broadhead matt and perfect for school and recreational classes. One per pack.

MT-24 — PRO MATT: same as MT-36 except 24".



M301 — PRO RELEASE: positive control and a perfect release every time. No finger drag. More perfects have been shot with this type than any other kind. One per pack.



M417 — DELUXE PRO SIGHT SLIDE BLOCK: features positive lock and opening for M440 level. Fits any Pro Sight slide bar. One per pack.

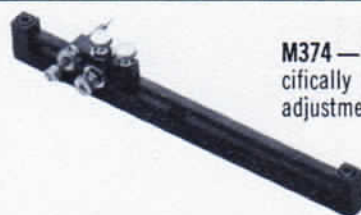


M370 — DELUXE PRO SIGHT: the most fully adjustable sight on the market. Can be adapted to any style of shooting by the various adjustments. A truly professional sight. One per pack.



M375 — 6" PRO SIGHT EXTENDER: attaches to the base mount of the M370 or M430 sight to extend sight for better eye relief. One per pack.

M371 — 4" PRO SIGHT EXTENDER: same as M375 except 4" long.



M374 — GOLDEN EAGLE SIGHT: the sight specifically built for the Golden Eagle. Positive adjustments and control. One per pack.



M372 — GOLDEN EAGLE EXTENDER: 6" sight extender designed for the M374 Golden Eagle sight. One per pack.

M373 — GOLDEN EAGLE EXTENDER: same as M372 except 4" long.



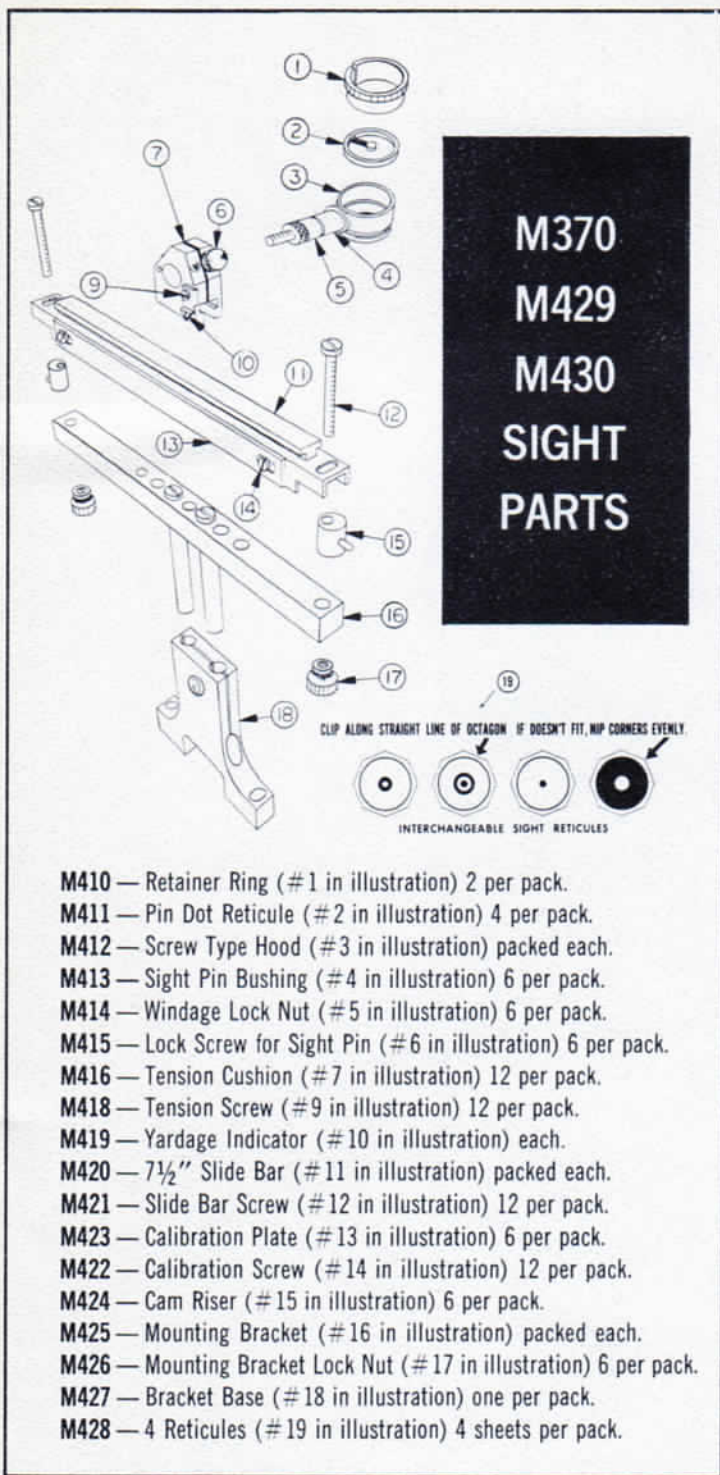
M429 — PRO SIGHT: fully adjustable slide block and slide bar. Best low cost tournament sight on the market. One per pack.



M430 — PRO HUNTING SIGHT: short bar sight with detachable mount for hunting or short windows. Extra slides can be added. One per pack.



M16 — STABILIZER ROD: 28" fully adjustable rod with $\frac{1}{4}$ -20 threads. Weight slides on rod for perfect adjustment and then rod can be cut to proper length. Off center hole in it allows weight to be directed for perfect tuning.



D308-2 — RAZORHEAD: two-blade Razorhead broadhead. Packed 3 blades per package with 12 packages per card. (36 heads)



M80 — RAZORHEAD INSERTS: to make D308-2 into 4-blade heads. Packed 12 one dozen packages per card.



M4 — MARK IV BROADHEAD: the first new broadhead in years. Features replaceable primary blades as well as auxiliary blades. Packed by dozens. Also available in bulk on special request.



M99 — HUNTER BROADHEAD QUIVER: holds eight arrows of any shaft diameter in no rattle, quick draw position. Keeps blades sharp. Side quiver eliminates off balance and cast destroying problems of bow quivers. One per pack.



M12 — METAL BOW REEL: aluminum reel tapes to bow. Filled with fifty feet of 70 pound line. One per pack.



A35 — HARPOON ARROW: full flanged detachable point holds the largest fish securely. Packed each.



M5 — CAMO BOW COVER: made of camouflage net. Stretch type to fit all hunting bows. One per pack.



M93 — STRING SILENCERS: eliminates string noise. Easy to snap on or off string without sliding over end loop. Packed 24 pair per card.

MTN — PRO BACKSTOP NET: (not illustrated) nylon backstop mesh net by the originators of the net. Weighted on the bottom with heavy duty snaps on the bottom. Stops arrows out of 60# bow. 10 feet wide by any length ordered. Minimum net 10' x 10'.



M535

M1572

M536

M535 — PRO CAMO JACKET: new Vietnam camouflage pattern and colors. Highest quality material. Specify size: XL, LG, MED, SM. One per pack.

M1572 — PRO CAMO COVERALLS: deluxe fully insulated coveralls designed for cold weather bow-hunting. Light weight yet extremely warm. Features large pockets and knit inner-sleeves. One per pack. Specify size: XL, LG, MED, SM.

M536 — PRO CAMO PANTS: same pattern and color as M535 jacket. Specify size: XL, LG, MED, SM. One per pack.



L400 — DELUXE TOURNAMENT BOW CASE: fully padded and deluxe lined case with stabilizer pocket inside and accessory pocket outside. Fits bows to 70 inches. One per pack.

L410 — HUNTER BOW CASE: can hold strung bow with bow quiver or three unstrung bows to 62" length. Giant accessory pocket holds quiver full of arrows and other hunting needs. Full zipper. One per pack.

L545 — GOLDEN EAGLE BOW CASE: short padded case that will hold any disassembled Golden Eagle bow for easy transportation. One per pack.

L150 — BOW CASE: protect bows to 66". Double end prevents tearing. Snap flap. One per pack.

L100 — HOLSTER HUNTING QUIVER: silent camouflaged side quiver that holds six arrows securely. Snaps on belt and can be locked into position or can swivel. Fits both right or left hand. One per pack.

L111 — HOLSTER TOURNAMENT QUIVER: holds eight arrows and features separator loops, card clip, pencil holder and large pouch. Snaps on belt. Also available in left hand (LHL111). One per pack.

L110 — DELUXE TOURNAMENT QUIVER: Pro model that has it all — large pouch, card clip, pencil holder, cigarette pouch, adjustable straps, belt clip and large arrow divider. Also available in left hand (LHL110). One per pack.

L110W — DELUXE TOURNAMENT QUIVER: same as L110, only in white. Not illustrated.

L120 — SIDE QUIVER: will hold 12 arrows and features harness, belt clip and formed base. All leather — a real value. One per pack.

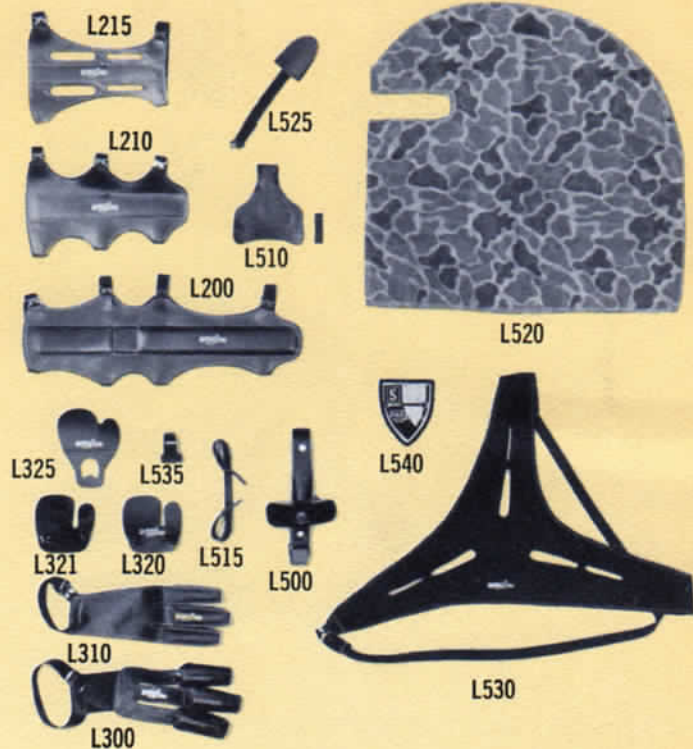
L530 — STRING PROTECTOR: eliminates string catching on clothing. Special suede leather and vented design gives comfort in any weather. Fits right hand only. One per pack.

L530W — STRING PROTECTOR: same as L530, only in white.

L200 — DOUBLE ARMGUARD: excellent for hunting as well as beginning archers. Four straps assure snug fit. Wide steel band and top quality leather. One per pack.

L210 — WIDE ARMGUARD: top grain leather with wide steel band plus three straps make this the ideal armguard for hunters and those who want more protection. One per pack.

L215 — VENTED ARMGUARD: tournament styled for comfort. Gives excellent protection, yet is cool and attractive. Made of highest quality leather. One per pack.



L215W — VENTED ARMGUARD: same as L215 except white. Not illustrated.

L300 — DELUXE GLOVE: for the ultimate in shooting comfort. Has soft finger stalls with closed ends, expandable stretch band and adjustable wrist strap. Specify size: XL (10-11), LG (9-10), MED (8-9), SM (7-8). Available in left hand. One per pack.

L300W — DELUXE GLOVE: same as L300 except in white and in ladies sizes. Specify size: LG (8-8½), MED (6-7), SM (5-6). Available in left hand. One per pack.

L310 — SHOOTING GLOVE: elastic wrist strap allows full adjustment and comfort. Narrow ends on fingers. All leather. Specify size: LG, MED or SM. One per pack.

L320 — PRO TAB: featuring a snap on replaceable face, this special tab will fit anyone. Adjustable single finger of elastic. Doesn't need breaking in and can be used for hunting over a glove. Comes with leather face. One per pack. Available in left hand.

L321 — REPLACEMENT FACE: (Not illustrated) Replacement clipped calf hair face for L320 tab. Ready to use. One per pack.

L322 — REPLACEMENT FACE: (Not illustrated) Replacement leather face for L320 tab. Ready to use. One per pack.

L325 — SHOOTING TAB: excellent for hunting, beginners and schools. Double thickness on pad and single at finger. Specify size: LG, MED, SM. One per pack. Available in left hand.

L500 — BOW STRINGER: easy to use and doubles as wrist sling. Prevents limb twist. One per pack.

L510 — BOW SADDLE: Pro designed to fit any bow. Also includes hand locator. Pressure sensitive backing for easy placement. Packed 12 per card.

L515 — FINGER SLING: most popular and easiest to use of all slings. Fits on thumb and forefinger. Packed 12 per card.

L520 — CAMO HEAD NET: featuring opening for eyes. Can be used with glasses. Fits anyone. One per pack.

L525 — STRING KEEPER: holds string in place without breaking down serving. Keeps proper twist. Packed 12 per card.

L535 — FINGER SPACER: holds fingers apart for no pinch on nock. Can be used with any glove or tab. Fully adjustable. Packed 12 per card.

L540 — PRO LINE PATCH: beautiful gold and black patch to dress up shirt or quiver. One per pack.