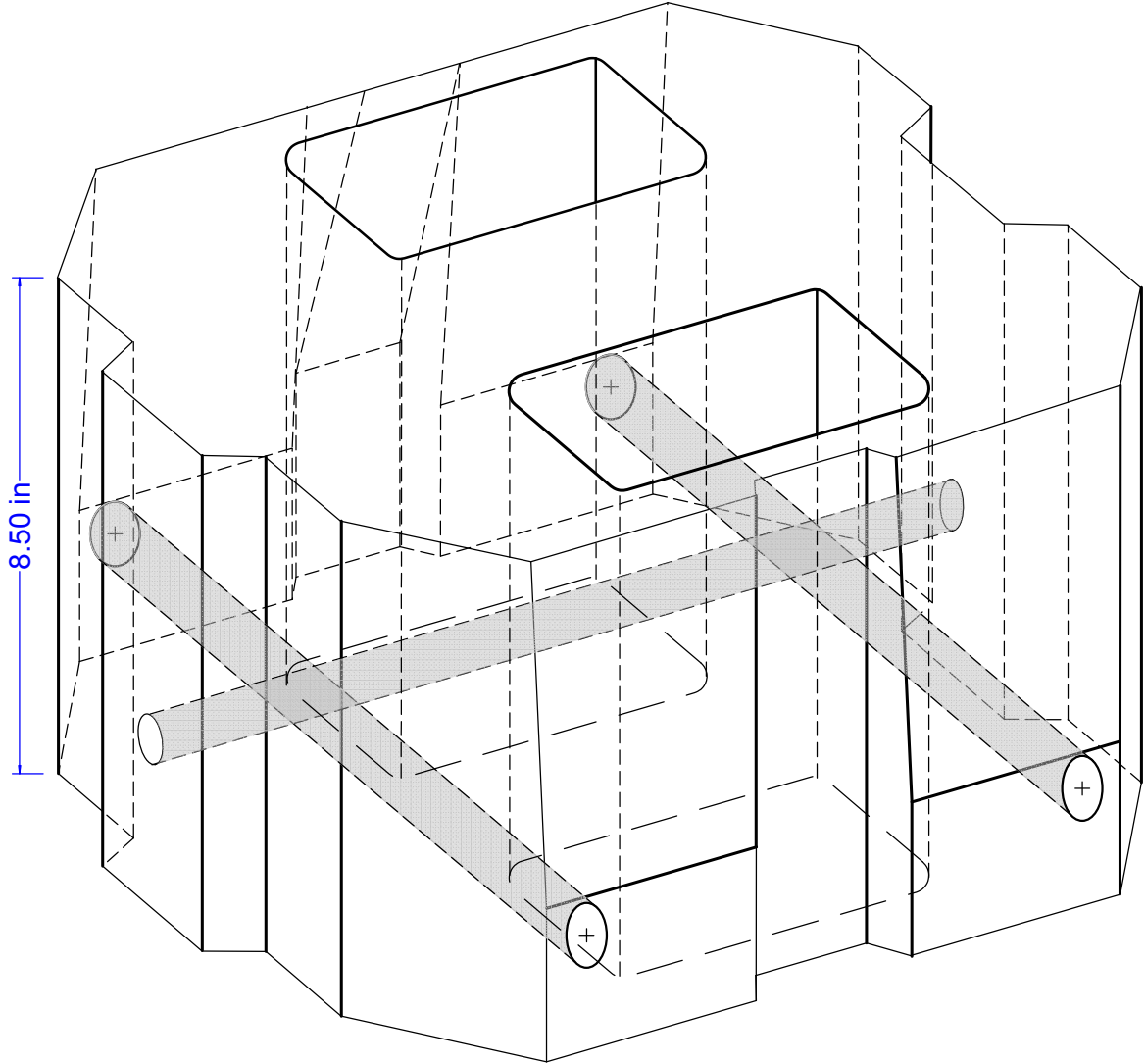


RevetBlok™ I - R91616-20 Male Block



**NOTES**

Mattress construction requires a Female RevetBlok™ on each row to allow the horizontal cable to be connected to the adjacent mattress.

**TECHNICAL SPECIFICATIONS**

The RevetBlok is manufactured in accordance with ASTM 90 and C140.

- 1 - RevetBlok™ I - R91616-20 Unit Weight is 127 - 148 lbs.
- 2 - Minimum Compressive Strength 4,000 psi.
- 3 - Maximum Absorption 5%.
- 4 - Dimensional Tolerance +/- 1/8".

<p><b>RUDLOFF EROSION</b>                  1005 Farmers Rd                  Brenham, TX 77833                  800-259-3178 Fax: 979-830-1040                  www.rudlofferosion.com</p>	<p>RevetBlok™ I - R91616-20</p>	<p>Date: 06-27-19</p>	<p>Drawing Name: Block Details</p>
	<p>Project Name:</p>	<p>Revisions: Ver. 03</p>	<p>Scale: Not To Scale</p>

