



Iron Gates & Hardware

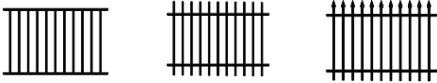
sales@budgetfence.net

(702) 850-2468

* Prices may change without notice and based on customer needs.

Iron Gates

For styles #1, 2 & 3



Walk Gates

36" Wide
42" Wide

Double Swing

10' Wide
12' Wide
16' Wide

Roll Gate Style #1

12' Wide
16' Wide
20' Wide
24' Wide

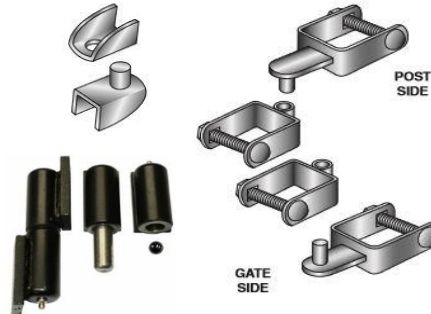
Call for custom color and special gate hardware requirements.

*does not include gate hardware.

Iron Gate Hardware

Hinges

Weldable bat Wing hinges
Clamp On hinges
Square ball bearing hinges
Round ball bearing hinges



Call for pricing on door hardware



Self Closing

Coil Spring
Hydraulic Springs



Pinch Rollers

6" Single Roller
12" Single Roller
(Weldable)

V-Groove Wheel W/ Box

4" Iron Wheel
4" Solid Steel
6" Iron Wheel
6" Solid Steel



Latches

Weldable finger
Clamp On latch



Ground Track

V-track with J-Bolts
V-Track with tabs
V-track on 4" plate
V-track Formed
(Anchors not included)

