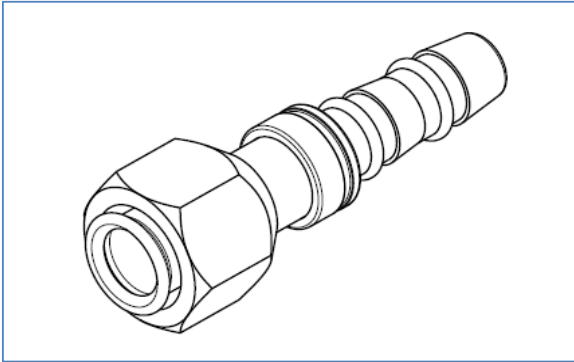




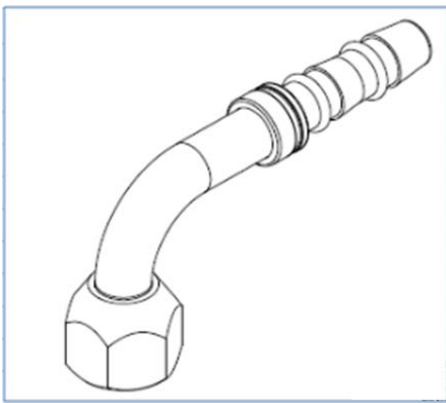
Quick Reference Guide for Codan Hoses & Fittings

Page	Topic
2	<u>Flare Female Fittings</u>
3	<u>O-Ring Pilot Male Fittings</u>
4	<u>O-Ring Pilot Female Fittings</u>
5	<u>ORFS Female Fittings</u>
6	<u>Splicer Fittings</u>
7	<u>TXV Connection 90 Deg</u>
8	<u>Hoses & Clamps</u>
9	<u>Tools</u>

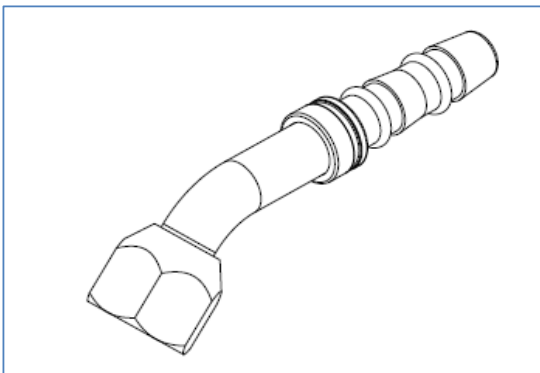
Female Flare Crimping Style Fitting



Flare, Female Fitting, Straight			
Part Number	Fitting Type	Thread Size	Hose ID (mm)
40-60306-01	3/8 SAE 45°	5/8-18 UNF	8
40-60306-02	1/2 SAE 45°	3/4-16 UNF	10.7
40-60306-03	5/8 SAE 45°	7/8-14 UNF	12.7
40-60306-04	3/4 SAE 45°	1"1/16-14 UNF	16.1
40-60306-10	1/4 SAE 45°	7/16-20 UNF	8
40-60306-12	1/2 SAE 45°	3/4-16 UNF	12.7
40-60306-13	5/8 SAE 45°	7/8-14 UNF	16.1

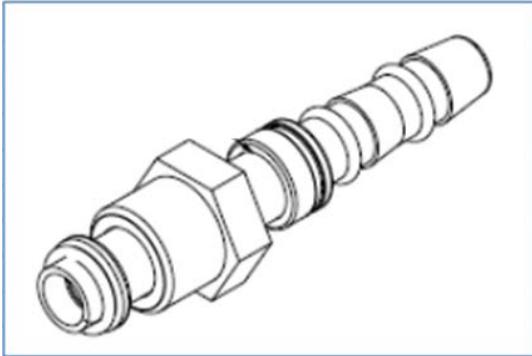


Flare, Female Fitting, 90 Degree			
Part Number	Fitting Type	Thread Size	Hose ID (mm)
40-60307-01	3/8 SAE 45°	5/8-18 UNF	8
40-60307-02	1/2 SAE 45°	3/4-16 UNF	10.7
40-60307-03	5/8 SAE 45°	7/8-14 UNF	12.7
40-60307-04	3/4 SAE 45°	1"1/16-14 UNF	16.1
40-60307-10	1/4 SAE 45°	7/16-20 UNF	8
40-60307-12	1/2 SAE 45°	3/4-16 UNF	12.7
40-60307-13	5/8 SAE 45°	7/8-14 UNF	16.1

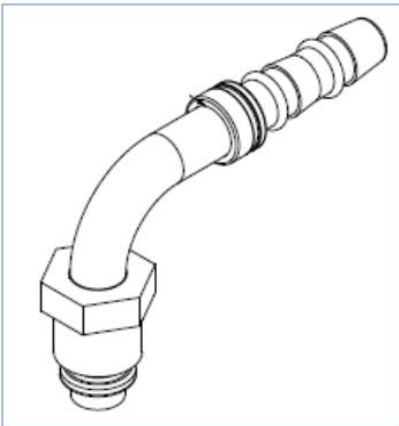


Flare, Female Fitting, 45 Degree			
Part Number	Fitting Type	Thread Size	Hose ID (mm)
40-60308-01	3/8 SAE 45°	5/8-18 UNF	8
40-60308-02	1/2 SAE 45°	3/4-16 UNF	10.7
40-60308-03	5/8 SAE 45°	7/8-14 UNF	12.7
40-60308-04	3/4 SAE 45°	1"1/16-14 UNF	16.1
40-60308-10	1/4 SAE 45°	7/16-20 UNF	8
40-60308-12	1/2 SAE 45°	3/4-16 UNF	12.7
40-60308-13	5/8 SAE 45°	7/8-14 UNF	16.1

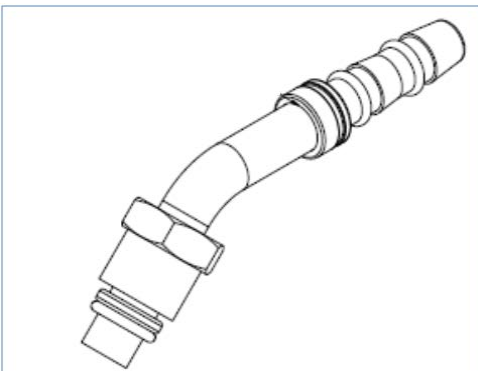
O-Ring Pilot Male Crimping Style Fitting



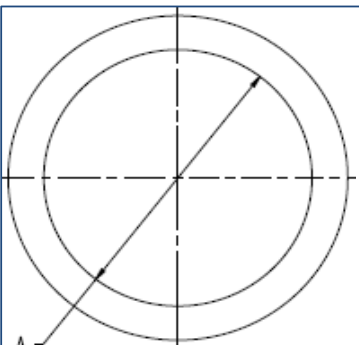
O-Ring Pilot, Male Fitting, Straight			
<u>Part Number</u>	<u>Fitting Type</u>	<u>Thread Size</u>	<u>Hose ID (mm)</u>
40-60310-01	3/8	5/8-18 UNF	8
40-60310-11	3/8	5/8-18 UNF	10.7
40-60310-02	1/2	3/4-18 UNF	10.7
40-60310-03	5/8	7/8-18 UNF	12.7
40-60310-13	5/8	7/8-18 UNF	16.1



O-Ring Pilot, Male Fitting, 90 Degree			
<u>Part Number</u>	<u>Fitting Type</u>	<u>Thread Size</u>	<u>Hose ID (mm)</u>
40-60309-01	3/8	5/8-18 UNF	8
40-60309-02	1/2	3/4-18 UNF	10.7
40-60309-03	5/8	7/8-18 UNF	12.7
40-60309-11	3/8	5/8-18 UNF	10.7
40-60309-13	5/8	7/8-18 UNF	16.1

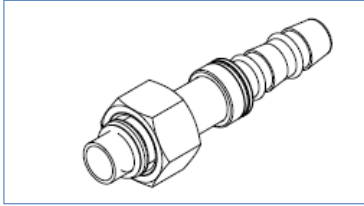


O-Ring Pilot, Male Fitting, 45 Degree			
<u>Part Number</u>	<u>Fitting Type</u>	<u>Thread Size</u>	<u>Hose ID (mm)</u>
40-60315-01	3/8	5/8-18 UNF	8
40-60315-02	1/2	3/4-18 UNF	10.7
40-60315-03	5/8	7/8-18 UNF	12.7

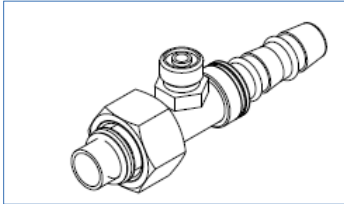


O-Rings, O-Ring Pilot, Male Fitting		
<u>O-Ring P/N</u>	<u>Fitting Type</u>	<u>Thread Size</u>
42-00243-10	3/8	5/8-18 UNF
42-00243-12	1/2	3/4-16 UNF
42-00243-13	5/8	7/8-14 UNF
42-00243-11	3/4	1"1/16-14

O-Ring Pilot Female Crimping Style Fitting

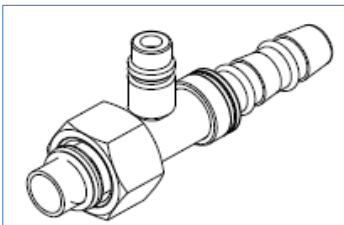


O-Ring Pilot, Female Fitting, Straight			
Part Number	Fitting Type	Thread Size	Hose ID (mm)
40-60285-01	3/8	5/8-18 UNF	8
40-60285-11	3/8	5/8-18 UNF	10.7
40-60285-02	1/2	3/4-16 UNF	10.7
40-60285-12	1/2	3/4-16 UNF	12.7
40-60285-03	5/8	7/8-14 UNF	12.7
40-60285-13	5/8	7/8-14 UNF	16.1
40-60285-04	3/4	1"1/16-14	16.1

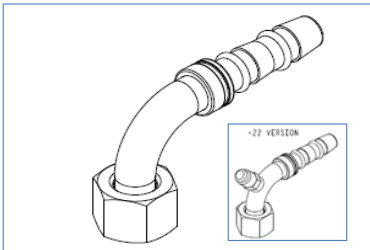


O-Ring Pilot, Female Fitting, Straight (With ORFS Side Connection)			
Part Number	End Fitting Type	Thread Size	Hose ID (mm)
40-60285-40	5/8	7/8-14 UNF	12.7
40-60285-41	5/8	7/8-14 UNF	16.1

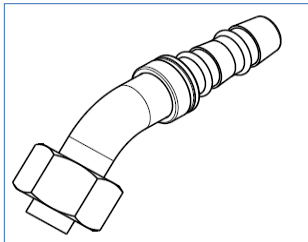
ORFS Fitting Type	Thread Size	ORFS Fitting O-ring
1/4	9/16-18	42-00243-10



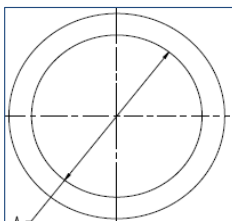
O-Ring Pilot, Female Fitting, Straight, With Charge Port					
Part Number	Fitting Type	Thread Size	Charge Port	Charge Port Cap	Hose ID (mm)
40-60285-22	1/2	3/4-16 UNF	HP	58-60230-00	10.7
40-60285-23	5/8	7/8-14 UNF	LP	58-60231-00	12.7
40-60285-33	5/8	7/8-14 UNF	LP	58-60231-00	16.1
40-60285-42	1/2	3/4-16 UNF	HP	58-60230-00	12.7



O-Ring Pilot, Female Fitting, 90 Degree				
Part Number	Fitting Type	Thread Size	Hose ID (mm)	Side Fitting Connection
40-60286-01	3/8	5/8-18 UNF	8	None
40-60286-02	1/2	3/4-16 UNF	10.7	None
40-60286-03	5/8	7/8-14 UNF	12.7	None
40-60286-12	1/2	3/4-16 UNF	12.7	None
40-60286-13	5/8	7/8-14 UNF	16.1	None
40-60286-22	1/2	3/4-16 UNF	10.7	1/4" Male Flare Schrader

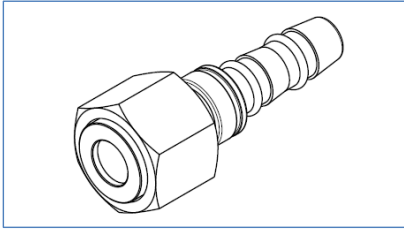


O-Ring Pilot, Female Fitting, 45 Degree			
Part Number	Fitting Type	Thread Size	Hose ID (mm)
40-60287-01	3/8	5/8-18 UNF	8
40-60287-02	1/2	3/4-16 UNF	10.7
40-60287-03	5/8	7/8-14 UNF	12.7
40-60287-12	1/2	3/4-16 UNF	12.7
40-60287-13	5/8	7/8-14 UNF	16.1

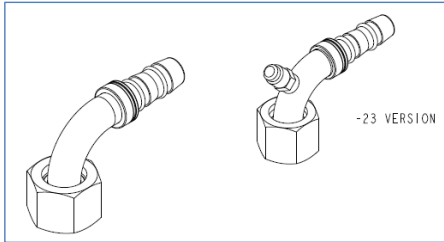


O-Rings, O-Ring Pilot, Male Fitting		
O-Ring P/N	Fitting Type	Thread Size
42-00243-10	3/8	5/8-18 UNF
42-00243-12	1/2	3/4-16 UNF
42-00243-13	5/8	7/8-14 UNF
42-00243-11	3/4	1"1/16-14

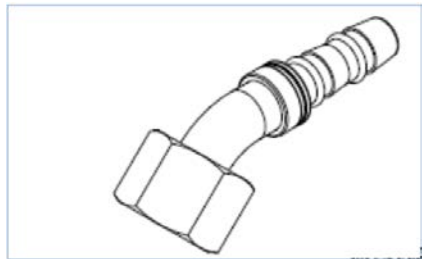
O-Ring Face Seal (ORFS) Female Crimping Style Fitting



ORFS, Female Fitting, Straight			
Part Number	Fitting Type	Thread Size	Hose ID (mm)
40-60288-10	1/4	9/16-18	8
40-60288-01	3/8	11/16-16	8
40-60288-02	1/2	13/16-16	10.7
40-60288-12	1/2	13/16-16	12.7
40-60288-03	5/8	1"-14	12.7
40-60288-04	3/4	1"3/16-12	16.1

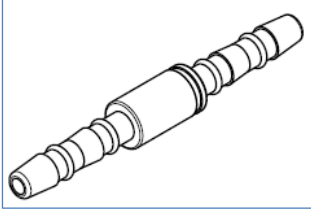


ORFS, Female Fitting, 90 Degree				
Part Number	Fitting Type	Thread Size	Hose ID (mm)	Side Fitting Connection
40-60289-10	1/4	9/16-18	8	None
40-60289-01	3/8	11/16-16	8	None
40-60289-02	1/2	13/16-16	10.7	None
40-60289-12	1/2	13/16-16	12.7	None
40-60289-03	5/8	1"-14	12.7	None
40-60289-13	5/8	1"-14	16.1	None
40-60289-04	3/4	1"3/16-12	16.1	None
40-60289-23	5/8	1"-14	12.7	1/4" Male Flare Schrader

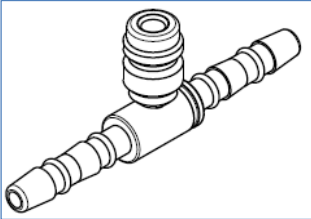


ORFS, Female Fitting, 45 Degree			
Part Number	Fitting Type	Thread Size	Hose ID (mm)
40-60290-10	1/4	9/16-18	8
40-60290-01	3/8	11/16-16	8
40-60290-02	1/2	13/16-16	10.7
40-60290-12	1/2	13/16-16	12.7
40-60290-03	5/8	1"-14	12.7
40-60290-04	3/4	1"3/16-12	16.1

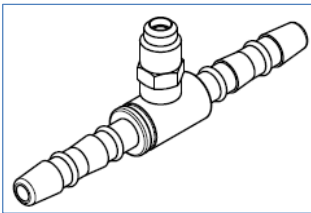
Splicer Hose Fittings



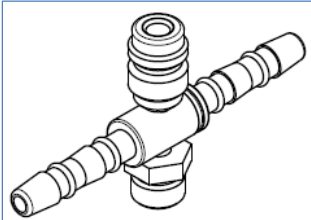
Splicer Fitting, Straight	
Part Number	Hose ID (mm)
40-60291-01	8
40-60291-02	10.7
40-60291-03	12.7
40-60291-04	16.1



Splicer Fitting, Straight, with Charge Port			
Part Number	Charge Port	Charge Port Cap	Hose ID (mm)
40-60291-21	HP	58-60230-00	8
40-60291-22	HP	58-60230-00	10.7
40-60291-23	HP	58-60230-00	12.7
40-60291-24	LP	58-60231-00	12.7
40-60291-25	LP	58-60231-00	16.1

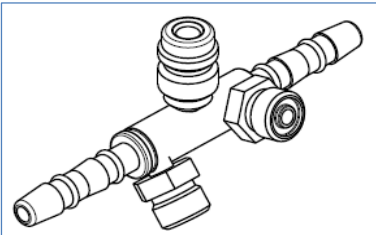


Splicer Fitting, Straight, with 1/4 Flare Schrader Valve	
Part Number	Hose ID (mm)
40-60291-26	8
40-60291-27	10.7
40-60291-28	12.7
40-60291-29	16.1



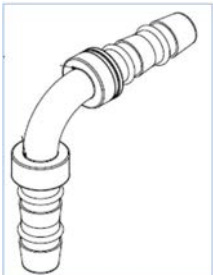
Splicer Fitting, Straight, with LP Charge Port & Male ORFS				
Part Number	ORFS Fitting Type	Thread Size	ORFS Fitting O-ring	Hose ID (mm)
40-60291-30	1/4	9/16-18	42-00243-10	16.1
40-60291-40	1/4	9/16-18	42-00243-10	12.7

(LP Charge Port Cap P/N = 58-60231-00)

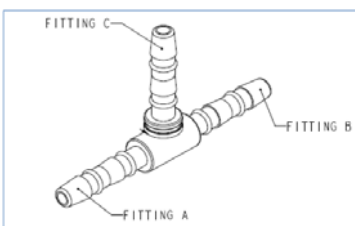


Splicer Fitting, Straight, with LP Charge Port & Two Male ORFS				
Part Number	ORFS Fitting Type	Thread Size	ORFS Fitting O-ring	Hose ID (mm)
40-60291-50	1/4	9/16-18	42-00243-10	16.1
40-60291-60	1/4	9/16-18	42-00243-10	12.7

(LP Charge Port Cap P/N = 58-60231-00)



Splicer Fitting, 90 Degree	
Part Number	Hose ID (mm)
40-60292-01	8
40-60292-02	10.7
40-60292-03	12.7
40-60292-04	16.1

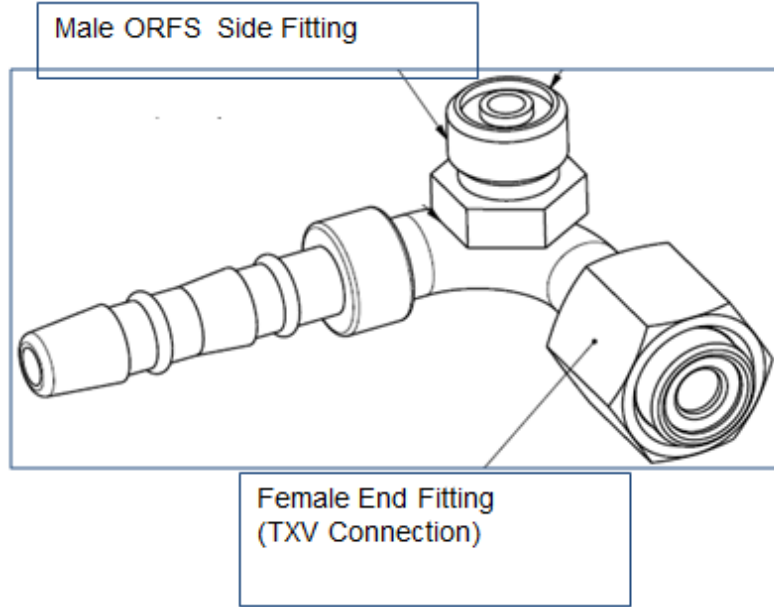


Splicer Fitting, Tee	
Part Number	Hose ID (mm)
40-60293-01	8 x 8 x 8
40-60293-02	10.7 x 10.7 x 10.7
40-60293-03	12.7 x 12.7 x 12.7
40-60293-04	16.1 x 16.1 x 16.1

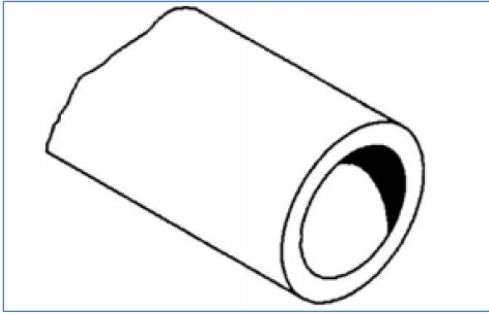
TXV Connection with Male ORFS Side Fitting

TXV Connection, 90 Deg Fitting

<u>Part Number</u>	<u>End Fitting Type</u>	<u>Thread Size</u>	<u>Hose ID (mm)</u>	<u>Side Fitting</u>	<u>Side Fitting Thread</u>	<u>Side Fitting O-ring</u>
40-60312-00	3/8 SAE	5/8-18	8	1/4 ORFS	9/16-18	42-00243-10

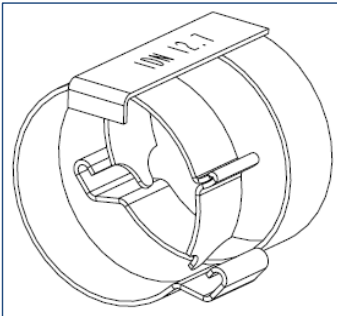


Refrigerant Hose and Clamps



Refrigerant Hose			
<u>Part Number</u>	<u>Hose ID (mm)</u>	<u>Length</u>	
58-60745-30	8	15 meters	49.2 ft
58-60745-31	10.7	15 meters	49.2 ft
58-60745-32	12.7	15 meters	49.2 ft
58-60745-33	16.1	15 meters	49.2 ft

(Note: Hose is compatible with refrigerants R500, R134A, R402A, R404A and R403B)



Clamp, Double Click	
<u>Part Number</u>	<u>Hose ID (mm)</u>
44-60129-01	8
44-60129-02	10.7
44-60129-03	12.7
44-60129-04	16.1

Tools



New crimping tool (07-60117-10)

TOOL KIT (07-60117-00)



Insertion Tool, Fitting into Hose
Part Number 07-60133-00

Replacement Parts for Tool	
07-60133-10	Jaws Set
07-60133-20	Adapters Set
07-60133-30	Springs Set