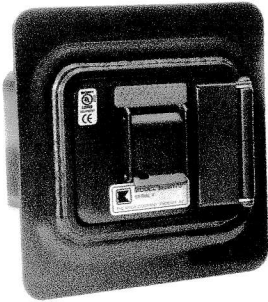
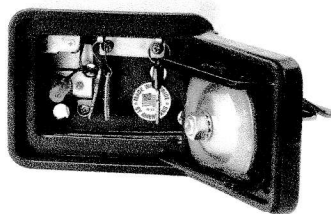


High Security Industrial/Government Key Box

Recessed Mount
 with Face Flange



Surface Mount



The number one high-security KNOX-BOX[®] is used for most commercial applications including businesses, schools, government and public buildings, community associations and apartment complexes. The 3200 Series KNOX-BOX holds keys, access cards and other small items necessary for emergency access.

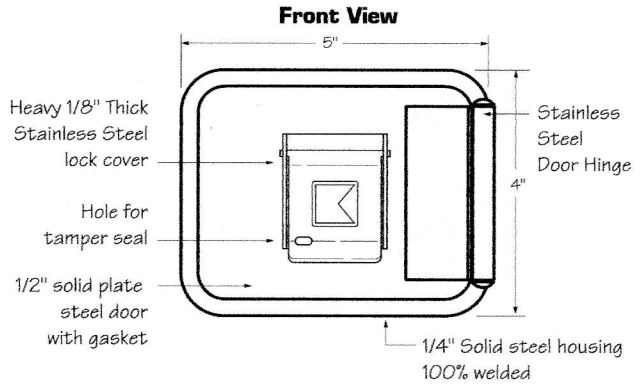
The hinged-door 3200 Series KNOX-BOX is more convenient than the lift-off door version because it allows single-handed operation and opened or closed, it's all one unit.

Features and Benefits

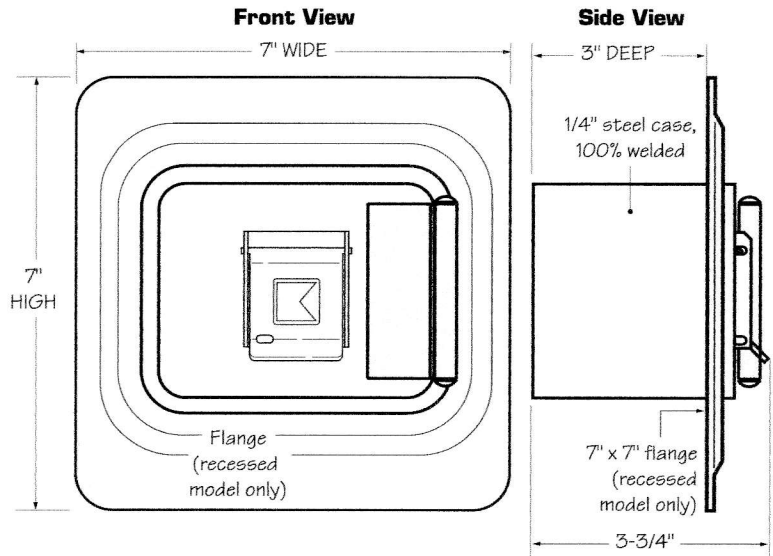
- Holds up to 10 keys and access cards in interior compartment
- Ensures high security. Box and lock are UL[®] Listed
- Includes a Knox-Coat[®] proprietary finishing process that protects Knox products up to four times better than standard powder coat
- Resists moist conditions with a weather resistant door gasket
- Hinged door allows single-handed operation
- Colors: Black, Dark Bronze or Aluminum
- Weight: Surface mount - 8 lbs.
 Recessed mount - 9 lbs.

Options

- Alarm tamper switches (UL Listed)
- Recessed Mounting Kit (RMK) for recessed models only
- Inside switch for use on electrical doors, gates and other electrical equipment



3200 Surface Mount



3200 Recessed Mount

Ordering Specifications

To insure procurement and delivery of the 3200 Series KNOX-BOX, it is suggested that the following specification paragraph be used:

KNOX-BOX surface/recessed mount with hinged door, with/without UL Listed tamper switches. 1/4" plate steel housing, 1/2" thick steel door with interior gasket seal and stainless steel door hinge. Box and lock UL Listed. Lock has 1/8" thick stainless steel dust cover with tamper seal mounting capability.

Exterior Dimensions: Surface mount body- 4"H x 5"W x 3-3/4"D

Recessed mount flange- 7"H x 7"W

Lock: UL Listed. Double-action rotating tumblers and hardened steel pins accessed by a biased cut key.

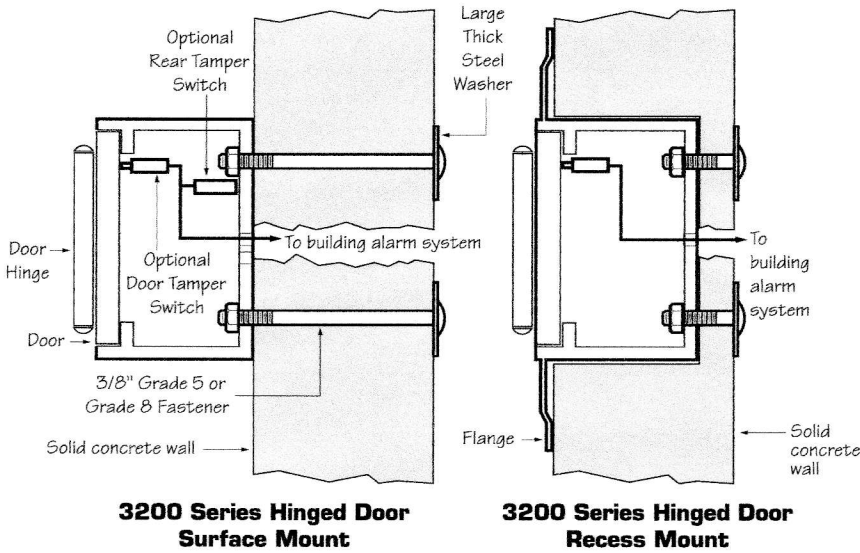
Finish: Knox-Coat[®] proprietary finishing process

Colors: Black, Dark Bronze or Aluminum

P/N: 3200 Series KNOX-BOX (mfr's cat. ID)

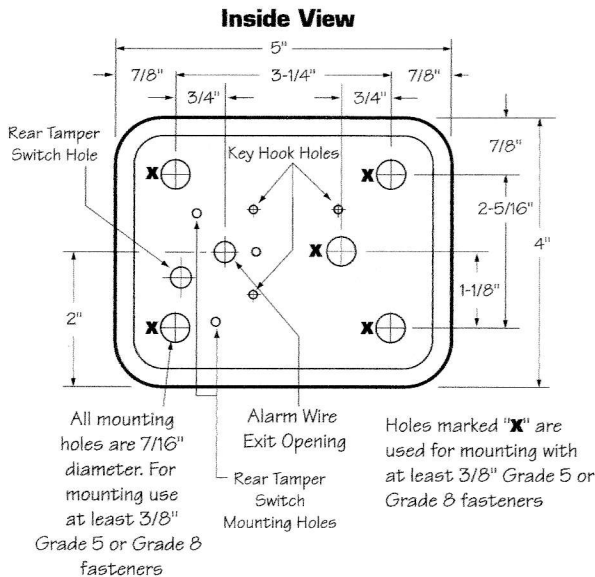
Mfr's Name: **KNOX COMPANY**

**Suggested minimum mounting height
6 feet above ground**



**3200 Series Hinged Door
Surface Mount**

**3200 Series Hinged Door
Recess Mount**



Attention: KNOX-BOX® is a very strong device that MUST be mounted properly to ensure maximum security and resist physical attack.

Knox® Rapid Entry System

The Knox Company manufactures a complete line of high security products including Knox-Box key boxes, key vaults, cabinets, key switches, padlocks, locking FDC caps, plugs and electronic master key security systems. For more information or technical assistance, please call Customer Service at 1-800-552-5669.

Recessed Mounting Kit

The 3200 Recessed Mounting Kit (RMK) is used for recessed models only. It contains a shell housing and mounting hardware to be cast-in-place in new concrete or masonry construction. After construction is completed, the KNOX-BOX mounts inside the RMK. The RMK may only be used in new concrete or masonry construction.

Installation In Cast Concrete

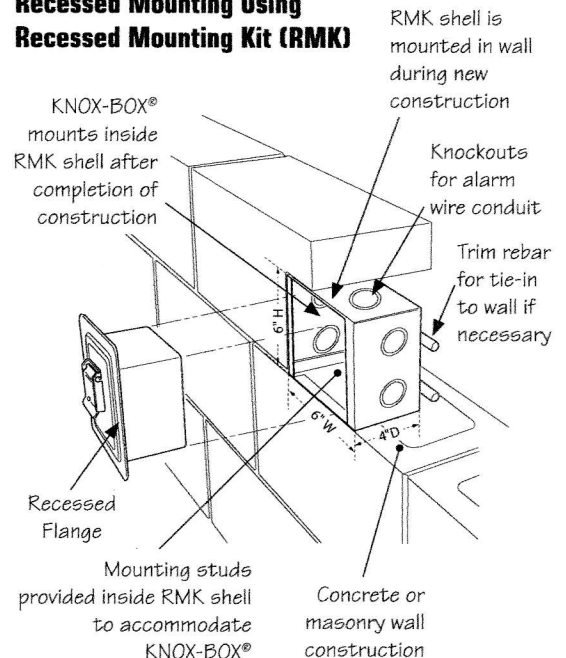
The optional Recessed Mounting Kit is for use in new concrete or masonry construction only. The kit includes a shell housing and mounting hardware to be cast-in-place. The KNOX-BOX is mounted into the shell housing after construction is completed.

Dimensions

Rough-in Dimensions: 6-1/2"H x 6-1/2"W x 5"D

IMPORTANT: Care should be taken to insure that the front of the RMK shell housing, including the cover plate and screw heads, is flush with the finish wall. The RMK must be plumbed to insure vertical alignment of the vault.

Recessed Mounting Using Recessed Mounting Kit (RMK)

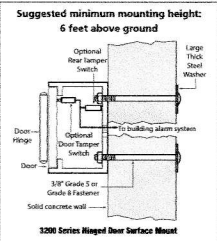


MOUNTING INSTRUCTIONS – KNOX-BOX® 3200 Series – ALL MODELS

Installation of this product should be performed only by individuals skilled in the use of the tools and equipment necessary for installation. If you have any doubt concerning your competence or expertise, consult a qualified expert to perform the installation.

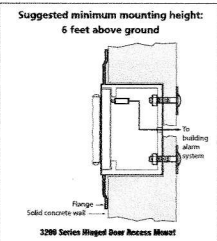
Surface Mounted Models

Surface models are designed for mounting on a flat wall. Do not mount face down from ceiling or overhang area. Install the tamper switch assembly after the box is mounted and check to see that the "box to wall" tamper plunger is properly depressed. A qualified alarm installer should perform alarm wiring, testing and adjusting.



Recess Mounted Models

Recess models are designed for flush mounting. Do not mount face down from ceiling or overhang area. Units can be adapted to fit a variety of solid walls cored to a 6" diameter approximately 3 1/2" deep. A Recessed Mounting Kit (RMK) is for new concrete or masonry walls under construction. Do not over tighten mounting bolts as this will distort the flange.

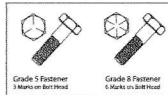


Install the tamper switch assembly after the box is mounted. Pull wiring tight so that any attempts to force the box out of the wall will break the wire or pull the terminals loose. A qualified alarm installer should perform alarm wiring, testing and adjusting.

If installing the box on a thin or hollow wall, use a solid backing (like 3/8" steel plate fastened to solid studs on both sides) for secure mounting. Mounting to solid beams or steel support is best.

General Mounting Instructions

- 1** For Lift-Off Door Models: Remove door assembly and set aside.
For Hinged Door Models: CAUTION! Be extremely careful when handling this KNOX-BOX prior to installation. When not mounted, the door will be OPEN. Always hold box and door securely to prevent door closing on fingers and causing injury.
Tamper Switch: Remove the tamper switch assembly and set aside for installation after the box is mounted.
- 2** Always mount your KNOX-BOX to a secure, solid wall, beam or post.
- 3** Use a small level to plumb the box square.
- 4** Mount the KNOX-BOX so the small moisture drain hole inside of the vault is on the bottom.
- 5** Use at least four (4) Grade 5 or Grade 8 fasteners (carriage bolts, etc.) of 3/8" diameter. Units may also be welded into place. Mounting to solid beams or steel supports is best. Mounting face down from ceiling or overhang area may cause contents to jam lock.



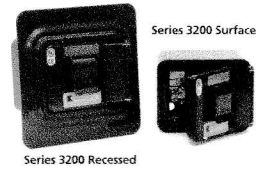
- 6** For proper weatherproofing, caulk the back of box across top and down each side. Leave the bottom open for drainage.
- 7** Use of a professional locksmith or alarm products installer is highly recommended.

Box Lock Up

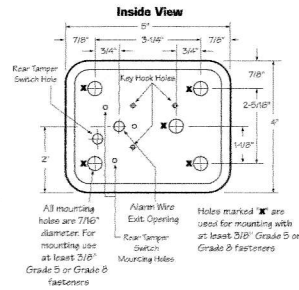
When your KNOX-BOX is for fire department use, contact your local fire department after installation to inform them that the box is ready for lock up. **They have the only key.**

For private, industrial or commercial use: keys will be sent separately to address requested.

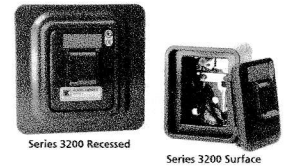
HINGED DOOR MODELS



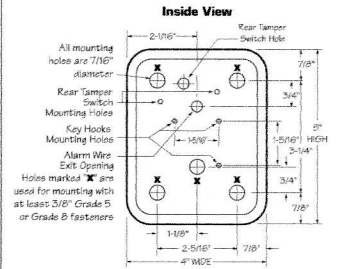
(Models 3262, 3264, 3266, 3271, 3273, 3275)



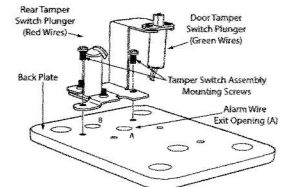
LIFT-OFF DOOR MODELS



(Models 3202, 3221)



TAMPER SWITCH ASSEMBLY



Series 3200 Door and Rear Tamper Switch Assembly (Backplate Shown without Housing for Clarity)



All 3200 Series Knox-Box units are fully tested and listed by Underwriters Laboratories as anti-theft devices. Alarm tamper switches are UL listed as Central Station Alarm Units. UL Electrical Range: Max Voltage of 24 VDC at 50 mA.

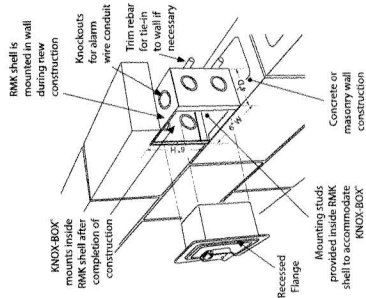
RECESSED MOUNTING USING RECESSED MOUNTING KIT (RMK)

The optional Recessed Mounting Kit is for use in new concrete or masonry construction only. The kit includes a shell housing and mounting hardware to be cast-in-place. The KNOX-BOX is mounted into the shell housing after construction is completed.

Rough-in Dimensions: 6-1/2"H x 6-1/2"W x 5"D

Installation: Mounting kit may be fastened to inside wall of a concrete form or set in place during masonry wall construction. Wiring conduit may be connected through knock-out hole(s) in the shell housing.

IMPORTANT: Take care to make sure that the front of the shell housing, including the cover plate and screw heads, are flush with the finish wall. Leave cover and screws in place until the KNOX-BOX is ready for mounting inside. The four (4) mounting studs may be replaced with Grade 5 or Grade 8 bolts or longer studs if required. Two (2) long sheet metal screws are provided for attachment of shell housing to the inside of a concrete form. With the housing held firmly in place, drill two (2) 1/8" holes through the form wall and the housing front cover. Insert screws and pull housing tight against form wall. Remove screws before removing form.



READ INSTRUCTIONS CAREFULLY BEFORE MOUNTING

The 3200 Series KNOX-BOX® is a heavy-duty, high-security key box that stores keys, access cards and other small items. Each key box is coated with the Knox-Coat® proprietary finishing process* and includes a 1/8" thick stainless steel dust cover to protect the lock. For maximum security, mount the unit properly in an area sheltered from excessive moisture.



* Knox-Coat is a proprietary finishing process that protects Knox products up to four times better than standard powder coat.

MOUNTING INSTRUCTIONS

KNOX-BOX® 3200 Series

Issue Date: January 2015



1601 W. Deer Valley Road, Phoenix, AZ 85027
800-552-5669 • Fax 623-687-2299
E-mail: info@knoxbox.com

09KNOX0301

WARNING

Read all instructions carefully before beginning installation. This unit must be installed by a qualified installer and in accordance with applicable local codes and ordinances that govern this type of equipment. Failure to properly mount the device per the installation instructions will compromise the security of the device. The Knox 3200 Series is an inherently strong device with many security features designed into the unit. However, careless installation with inadequate fasteners, flimsy mounting surfaces or improper mounting height can result in a security failure of the unit. Knox highly recommends that the device tamper switch be connected to the building's burglar alarm system for the highest level of security.

WARNING

Read all instructions carefully before beginning installation. This unit must be installed by a qualified installer and in accordance with applicable local codes and ordinances that govern this type of equipment. Failure to properly mount the device per the installation instructions will compromise the security of the device. The Knox 3200 Series is an inherently strong device with many security features designed into the unit. However, careless installation with inadequate fasteners, flimsy mounting surfaces or improper mounting height can result in a security failure of the unit. Knox highly recommends that the device tamper switch be connected to the building's burglar alarm system for the highest level of security.

MOUNTING INSTRUCTIONS

KNOX-BOX® 3200 Series

Issue Date: January 2015



1601 W. Deer Valley Road, Phoenix, AZ 85027
800-552-5669 • Fax 623-687-2299
E-mail: info@knoxbox.com

09KNOX0301

READ INSTRUCTIONS CAREFULLY BEFORE MOUNTING

The 3200 Series KNOX-BOX® is a heavy-duty, high-security key box that stores keys, access cards and other small items. Each key box is coated with the Knox-Coat® proprietary finishing process* and includes a 1/8" thick stainless steel dust cover to protect the lock. For maximum security, mount the unit properly in an area sheltered from excessive moisture.

This box is protected by KNOX-COAT® Four times better than standard powder coat.

* Knox-Coat is a proprietary finishing process that protects Knox products up to four times better than standard powder coat.