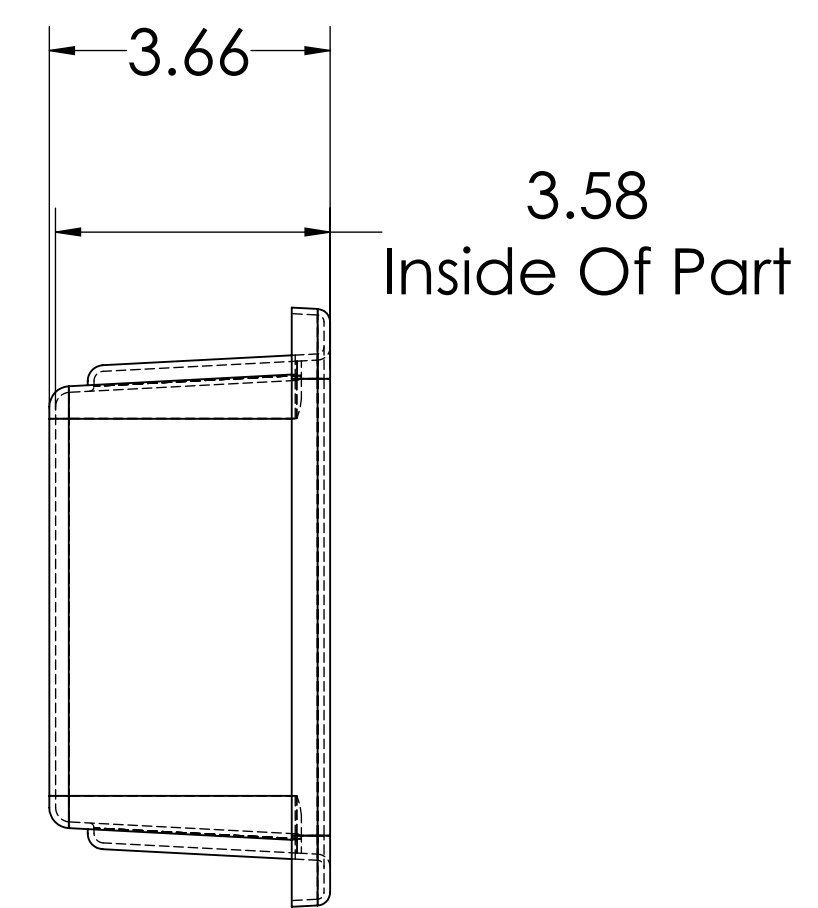
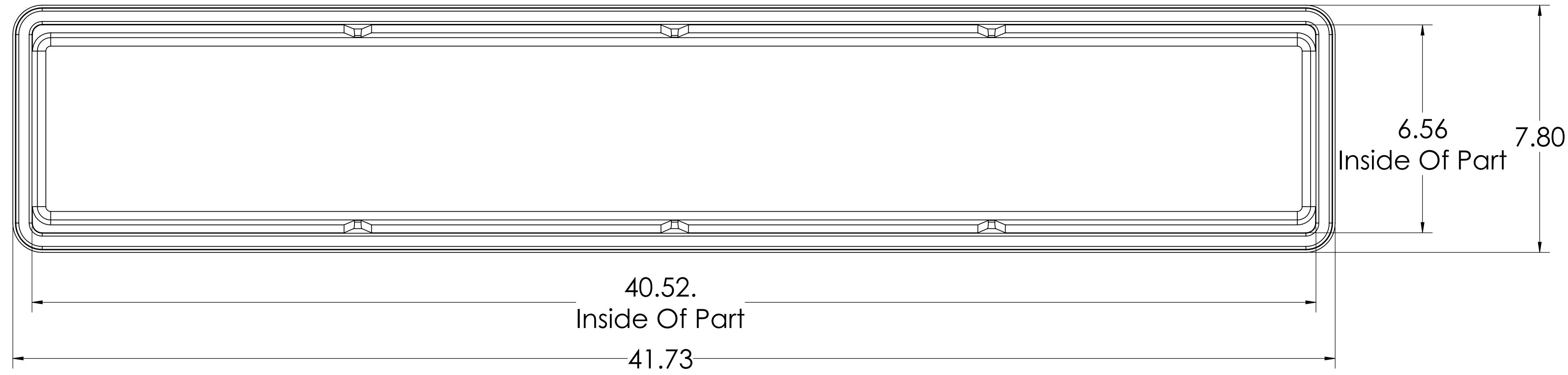
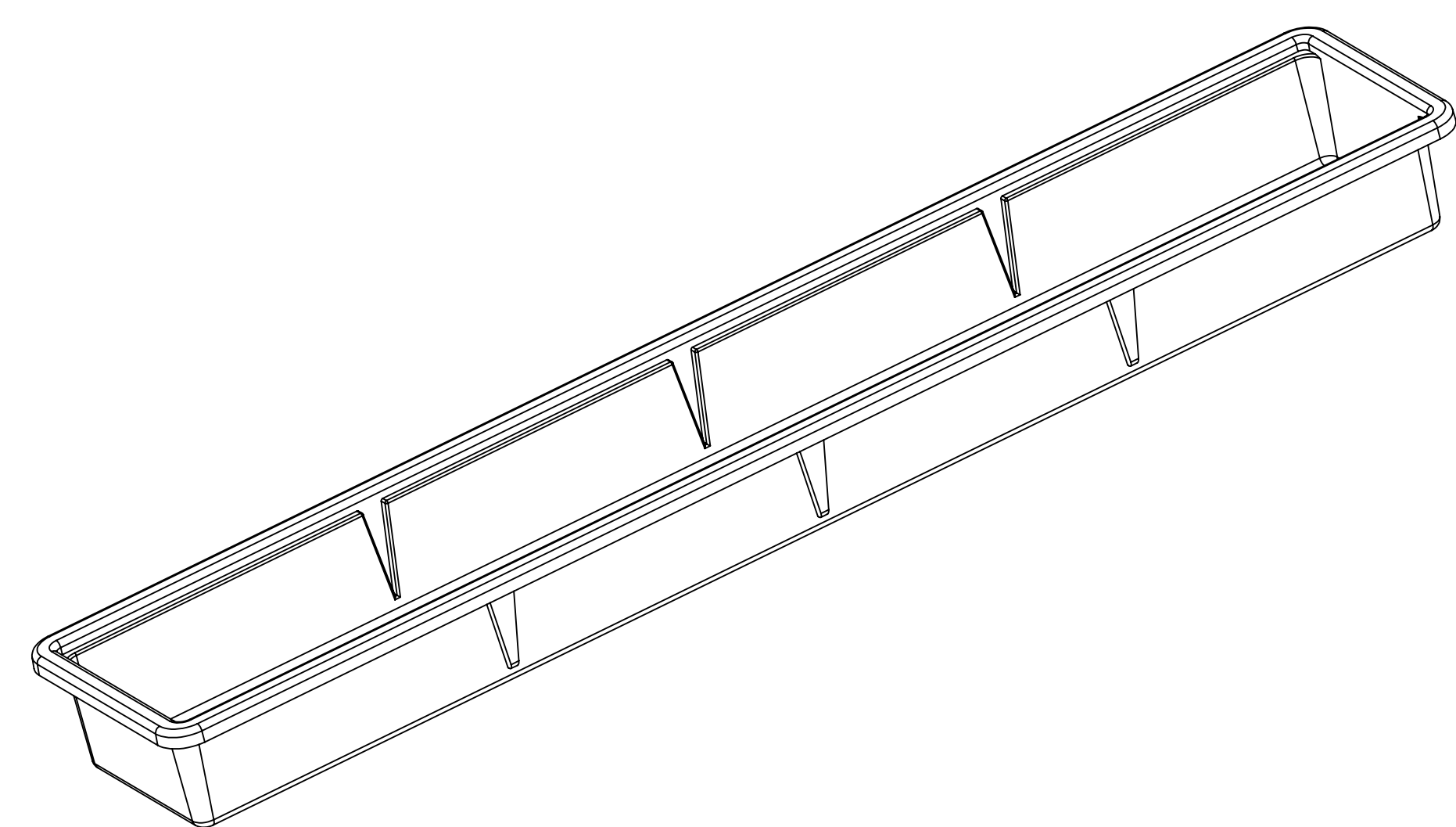
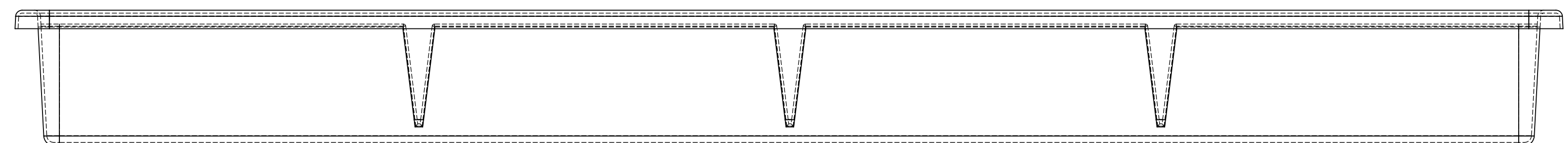


8 7 6 5 4 3 2 1

D
C
B
A

D
C
B
A



PROPRIETARY AND CONFIDENTIAL
 THE INFORMATION CONTAINED IN THIS
 DRAWING IS THE SOLE PROPERTY OF
 HOOPER PLASTICS, INC. ANY
 REPRODUCTION IN PART OR AS A WHOLE
 WITHOUT THE WRITTEN PERMISSION OF
 HOOPER PLASTICS, INC. IS
 PROHIBITED.

UNLESS OTHERWISE SPECIFIED:		NAME	DATE
DIMENSIONS ARE IN INCHES	DRAWN	Mark Crump	11/2/2012
TOLERANCES: - \pm .09	CHECKED	LMT	
FRACTIONAL \pm	ENG APPR.		
ANGULAR: MACH \pm BEND \pm	MFG APPR.		
TWO PLACE DECIMAL \pm	Q.A.		
THREE PLACE DECIMAL \pm	COMMENTS:		
INTERPRET GEOMETRIC TOLERANCING PER:			
MATERIAL			
ABS 3800			
FINISH			
APPLICATION	DO NOT SCALE DRAWING		

TUBE TRAY

SIZE DWG. NO. REV
D 4106 **B**
 SCALE: 1:4 WEIGHT: SHEET 1 OF 1

8 7 6 5 4 3 2 1