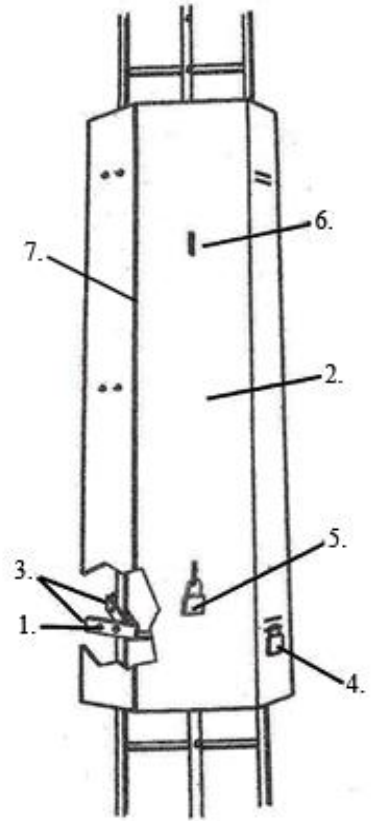


Technical Drawing

DESCRIPTION: The shielding door of the Ladder Gate unit is constructed of heavy-gauge, rust proof aluminum. The angled sides prevent reaching around the shield to gain access to the ladder. The eight foot length deters bypassing. All braces and hardware are from ¼” thick galvanized steel.

The preventive shield can be installed to swing open from either the right or the left, allowing easy use of the ladder. It is secured with your own padlock when closed. Since only personnel with a key can open the device, the easily installed Ladder Gate shield prevents unwanted and uncontrolled access.

1. All braces and hardware are fabricated from rust resistant hot-dipped galvanized steel.
2. Heavy-gauge aluminum shield (3ft. x 8ft. x 1/8” thick).
3. Bolt-on brackets ensure easy installation (no welding, cutting or alterations necessary).
4. Use of heavy duty, high quality padlock is recommended. “Side Lock” option.
5. “Front Lock” option.
6. Use for lock if shield is turned to open to the right.
7. 8’ continuous heavy duty piano hinge.



For best results, Ladder Gate Climb Preventive Shield should be installed at a minimum of 10ft. above the ladder base. Each Ladder Gate shield is complete with instructions and can be installed by two unskilled personnel in less than one hour.

Features	Benefits
Heavy- Gauge aluminum shield.	Maintenance- free, rust-proof, tamper proof.
Heavy –gauge steel braces and hardware.	Maintenance-free, rust proof
Hinged shield gate.	Swings completely out of the climber's way when ladder is in use.
Bolt-on brackets.	Quick, easy installation; no welding, cutting or alterations required.
Latch for padlock use.	Ensures key-safe, controlled access by authorized Persons only.

Shipping Weight: 70lbs.(32Kg)

The Ladder Gate Climb Preventive Shield is currently available complete, ready to install. (Lock not included)

This apparatus and its use are licensed under U.S. Patent No. 3968857 and 5,343,977. Ladder Gate® Climb Preventive Shield is a registered trademark of R.B Industries.