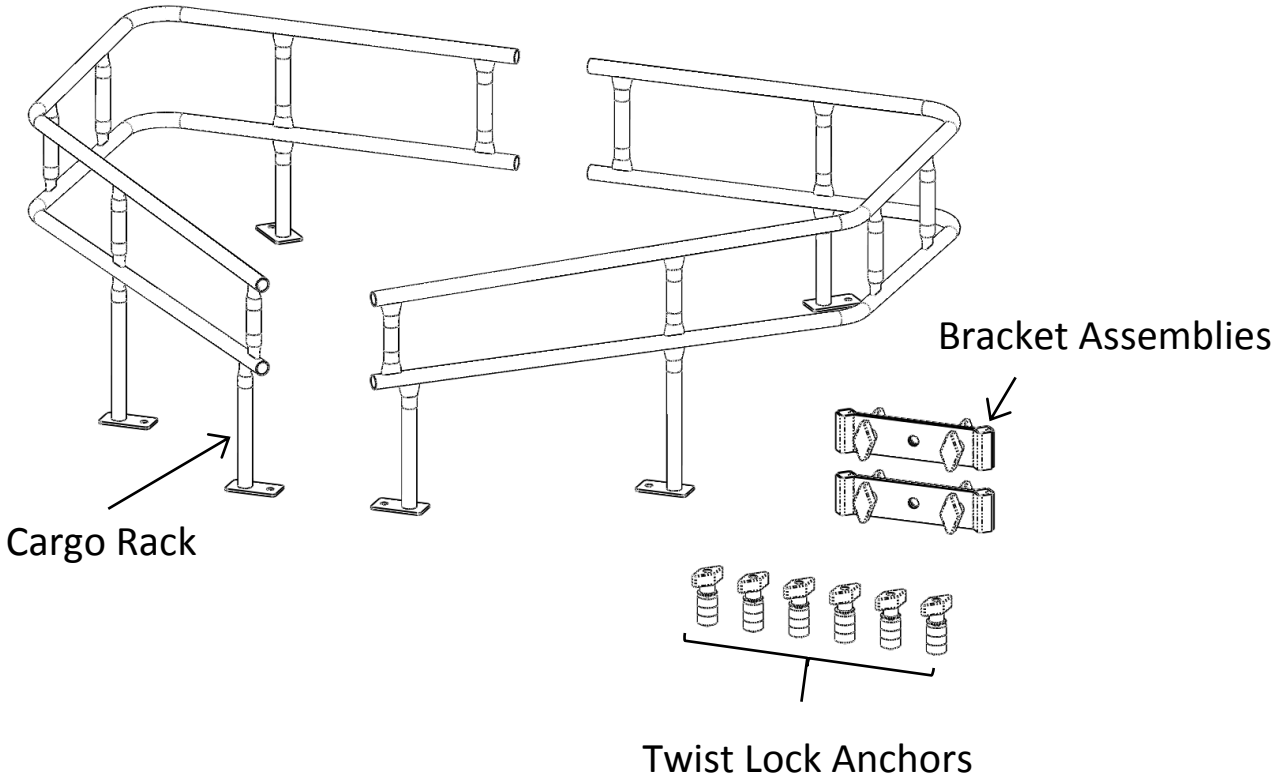


RZ 1000 Cargo Rack Installation Kit

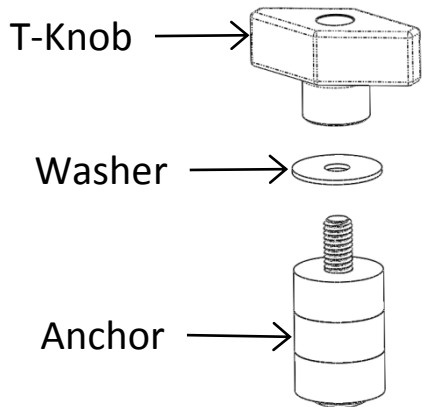


The RZ 1000 Cargo Rack Installation Kit fits RZR Models RZ 1000 and RZ 1000-4. The Kit comes with a 2x Cargo Rack halves, 6x Twist Lock Anchor Assemblies and 2x Bracket Assemblies.



Installation:

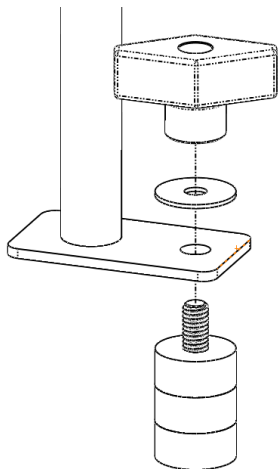
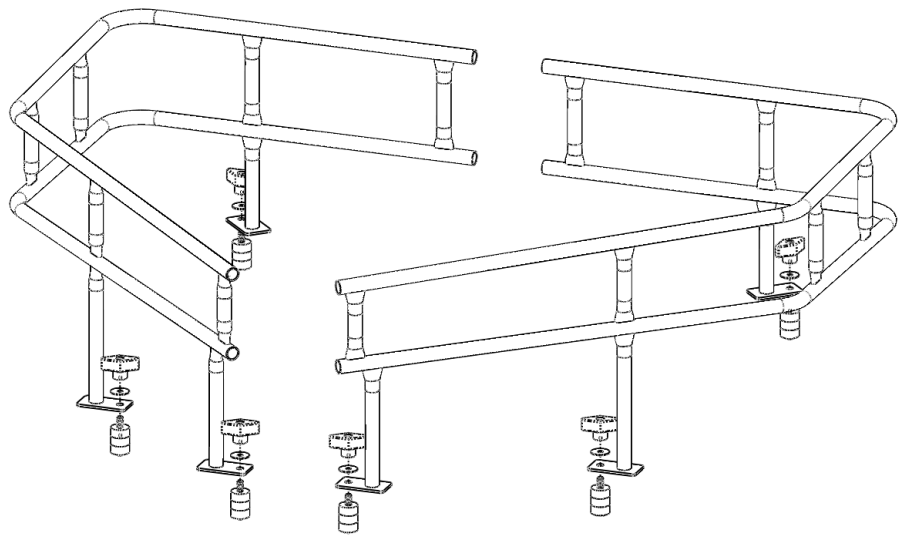
Step 1:



Remove the T-Knob and Washer from each of the Twist Lock Anchor Assemblies.

Step 2:

Insert an Anchor Assembly into each hole in both halves of the Cargo Rack.



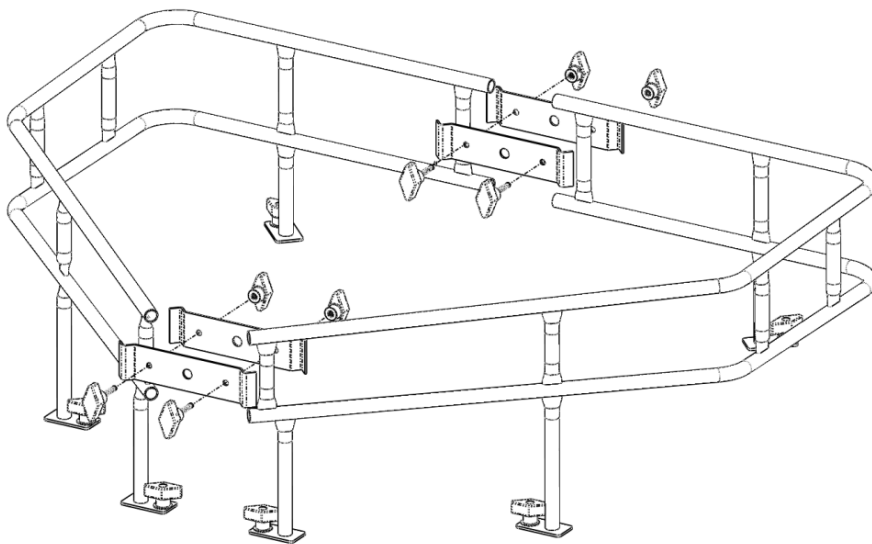
The threads of the Anchor Assembly will fit up into the holes. Replace the Washer and T-Knob. Screw the T-Knob and Washer down until it is finger tight but can still spin freely in the hole.

Do NOT tighten beyond finger tight at this point.

Step 3:

Lift the Cargo Rack halves into place, locating the Anchor Assemblies into the Mounting Holes located on the rear. Lightly tighten each anchor just enough to hold it in place.

If an Anchor will not enter a mounting hole, make sure that none of the T-Knobs are threaded too tight.



Step 4:

Add a Bracket Assembly to the Front and Rear of the Cargo Rack positioning the rack so it's straight as you tighten both T-Knobs for each Bracket Assembly.

Step 5:

Tighten the T-Knobs of each Anchor Assembly. Once they have been tightened, the RZ 1000 Cargo Rack has been successfully installed.

