

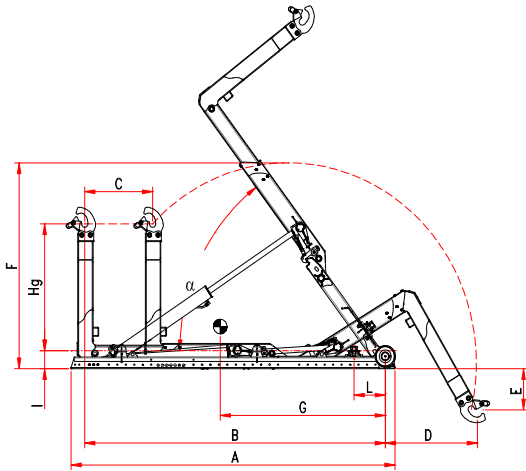


b.o.b. Sistemi Idraulici S.p.A.

unilift®

**COMPANY WITH
QUALITY SYSTEM
CERTIFIED BY DNV GL
= ISO 9001 =**

HOOKLIFT « T 18.000 MS »



| MODEL | T 18.000 XXC MS | T 18.000 XC MS | T 18.000 C MS | T 18.000 N MS | T 18.000 NL MS | T 18.000 L MS | T 18.000 XL MS |
|--------------------------------|----------------------------------|----------------------------------|----------------------------------|----------------------------------|----------------------------------|----------------------------------|----------------------------------|
| Hg | 53,88"/61,75" (1.369/1.569mm) | 53,88"/61,75" (1.369/1.569mm) | 53,88"/61,75" (1.369/1.569mm) | 53,88"/61,75" (1.369/1.569mm) | 53,88"/61,75" (1.369/1.569mm) | 53,88"/61,75" (1.369/1.569mm) | 53,88"/61,75" (1.369/1.569mm) |
| A | 146,85" (3.730 mm) | 150,78" (3.830 mm) | 158,66" (4.030 mm) | 170,44" (4.330 mm) | 178,34" (4.530 mm) | 186,22" (4.730 mm) | 200" (5.080 mm) |
| B | 131,88" (3.350 mm) | 139,76" (3.550 mm) | 147,63" (3.750 mm) | 159,44" (4.050 mm) | 137,32" (4.250 mm) | 175,19" (4.450 mm) | 181,1" (4.600 mm) |
| C | 27,55" (700 mm) | 31,5" (800 mm) | 31,5" (800 mm) | 31,5" (800 mm) | 31,5" (800 mm) | 31,5" (800 mm) | 39,37" (1.000 mm) |
| D | 46,45" (1.180 mm) | 42,51" (1.080 mm) | 34,64" (880 mm) | 45,66" (1.160 mm) | 37,79" (960 mm) | 29,92" (760 mm) | 58,26" (1.480 mm) |
| E | 19,29" (490 mm) | 19,29" (490 mm) | 19,29" (490 mm) | 19,29" (490 mm) | 19,29" (490 mm) | 19,29" (490 mm) | 9,93" (100 mm) |
| F | 89,76" (2.280 mm) | 89,76" (2.280 mm) | 89,76" (2.280 mm) | 99,6" (2.530 mm) | 99,6" (2.530 mm) | 99,6" (2.530 mm) | 113,38" (2.880 mm) |
| G | 73,22" (1.860 mm) | 76,77" (1.950 mm) | 83,07" (2.110 mm) | 88,97" (2.260 mm) | 94,09" (2.390 mm) | 99,21" (2.520 mm) | 97,63" (2.480 mm) |
| I | 7,87" (200 mm) | 7,87" (200 mm) | 7,87" (200 mm) | 7,87" (200 mm) | 7,87" (200 mm) | 7,87" (200 mm) | 8,66" (220 mm) |
| L | 10,62" (270 mm) | 14,56" (370 mm) | 22,44" (570 mm) | 18,5" (470 mm) | 26,37" (670 mm) | 26,37" (670 mm) | 19,68" (500 mm) |
| Weight* | 2.520 lb (1.145 Kg) | 2.575 lb (1.170 Kg) | 2.630 lb (1.195 Kg) | 2.715 lb (1.235 Kg) | 2.770 lb (1.260 Kg) | 2.830 lb (1.285 Kg) | 3.630 lb (1.650 Kg) |
| a | 55° | 53° | 50° | 53° | 49° | 45° | 55° |
| Container min. max. | 12' - 13' (3.657-3.962 mm) | 12' - 14' (3.657-4.267 mm) | 13' - 15' (3.962-4.572 mm) | 13' - 16' (3.962-4.876 mm) | 14' - 16' (4.267-4.876 mm) | 14' - 17' (4.267-5.181 mm) | 14' - 17' (4.267-5.181 mm) |
| LIFTING CAPACITY | 18.000 lb (8.180 Kg) | 18.000 lb (8.180 Kg) | 18.000 lb (8.180 Kg) | 18.000 lb (8.180 Kg) | 18.000 lb (8.180 Kg) | 18.000 lb (8.180 Kg) | 18.000 lb (8.180 Kg) |
| TIPPING CAPACITY | 18.000 lb (8.180 Kg) | 18.000 lb (8.180 Kg) | 18.000 lb (8.180 Kg) | 18.000 lb (8.180 Kg) | 18.000 lb (8.180 Kg) | 18.000 lb (8.180 Kg) | 18.000 lb (8.180 Kg) |

***Weight: basic hooklift weight without kit and options**

The technical details shown in this sheet are indicative and can be changed by the builder without prior notice

B.O.B. Sistemi Idraulici S.p.A. – Regione Oltre Rea, 32 – 12060 Monchiero (CN) - Italia

P. I.V.A. 00496180043 - Tel.: +39 (0173) 780002/3 – Fax: +39 (0173) 780004

Internet: www.bobspa.com - E-mail: info@bobspa.com