

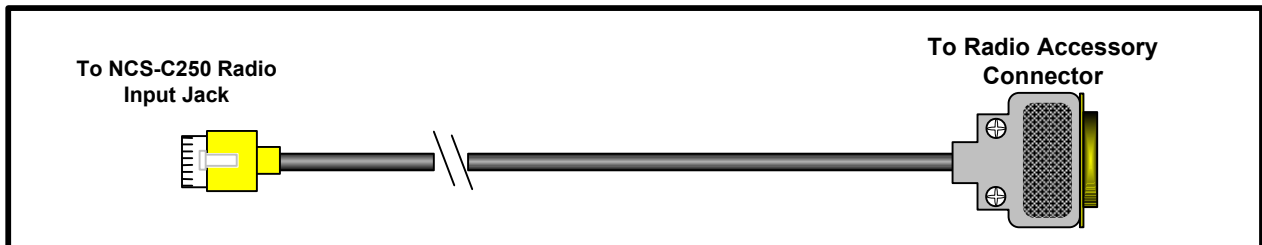
# Radio Interface Cable

For NCS-C250 Mobile Multi-Switcher

NCS Model Number  
**NCS-250-KAA-XX**

**Compatible Radios:**

<b>TK-5710</b>	<b>TK-5830</b>	<b>TK-7180</b>	<b>NX-901</b>	<b>VM-6000</b>
<b>TK-5720</b>	<b>TK-5910</b>	<b>TK-8180</b>	<b>NX-5700</b>	<b>VM-7000</b>
<b>TK-5730</b>	<b>TK-5930</b>	<b>NX-700</b>	<b>NX-5800</b>	
<b>TK-5810</b>	<b>TK-7150</b>	<b>NX-800</b>	<b>NX-5900</b>	
<b>TK-5820</b>	<b>TK-8150</b>	<b>NX-900</b>	<b>VM-5000</b>	

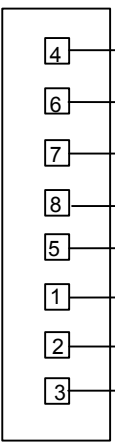


**RJ-45**

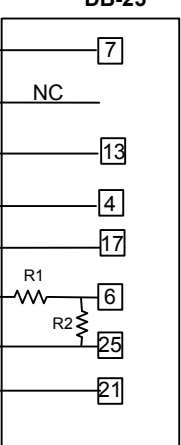
Pin #	Wire Color	Function
1	White	Mic Hi
2	Green	Mic Lo
3	Brown	PTT
4	Black	Ground
5	Yellow	Rx Audio
6	Shield	Ground
7	Red	Hook Sw*
8	Orange	COR*

\*Active only if Switch Hook or COR Option installed.

**RJ-45**



**DB-25**



**Cable Wiring**

**Notes:**

*Using the appropriate radio programming software, program the following functions on the indicated pins of the accessory connector:*

1. Pin 21, Auxiliary I/O4 on ACC connector must be programmed for PTT
2. Pin 4, Auxiliary I/O9 on ACC connector must be programmed for COR if COR option installed in NCS-C250
3. Pin 13, Auxiliary I/O6 on ACC connector must be programmed for Hook Switch if Hook Switch option installed on NCS-C250