

<b>ABB</b>	<b>TIPS &amp; HINTS</b> <b>ACx550 Wiring Drive During Install</b>		Document Number: T&H0002	
	<b>Owner</b>	<b>Approval Date</b>	<b>Language</b>	<b>Page</b>
Antonio Garnica	August 18, 2008	English	1 of 2	0

## Purpose

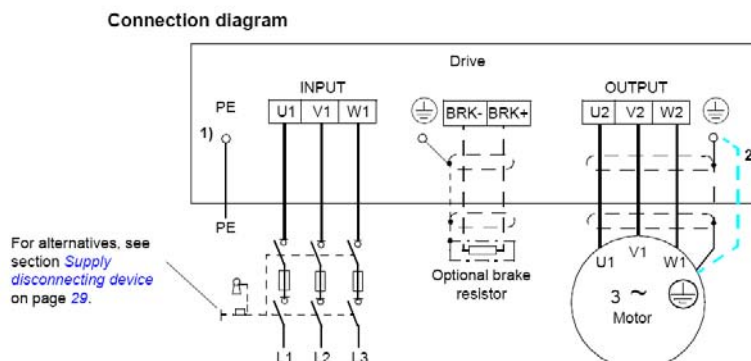
The purpose of this document is to describe the guideline to correctly wire an ACS550 or ACH550 drive during installation. This is restricted to power and motor connections.

Use recommended cable sizes and lengths. Refer to the Installation and Technical Data sections in your manual.

## Instruction

- 1. Be sure that the input power is disconnected during installation!!**
- Connect the 3 phase input power cables to the terminals U1, V1, W1 the drive. Be sure to tighten the terminals down tight. Loose power connections can cause drive failure.
- Connect the equipment ground cable to the GND or PE terminal. If the power network is not symmetrically grounded (i.e. network is corner grounded delta or center point grounded delta) or if the network is floating then remove the EM1 screw (R1-R4 frames) or F1 and F2 screws (R5-R6 frames).. Refer to the Installation section in your drive manual.
- Connect the 3 phase motor cables to the terminals U2, V2, W2. Be sure to tighten the terminals down tight. Loose power connections can cause drive failure.
- Connect the motor ground cable (if present) to the GND or PE terminal.
- Be sure it is safe before applying power to the drive. If the motor rotation is incorrect, switch motor leads U2 and V2.

### Connecting the power cables



**Warning: If the input cables and/or motor cables are connected to the wrong terminals, there is a strong potential for drive failure!!**

**Revisions**

<b>Rev.</b>	<b>Section</b>	<b>Description of Change</b>	<b>Modified By</b>	<b>Date</b>
0		Initial Distribution	AG	18 Aug 2008