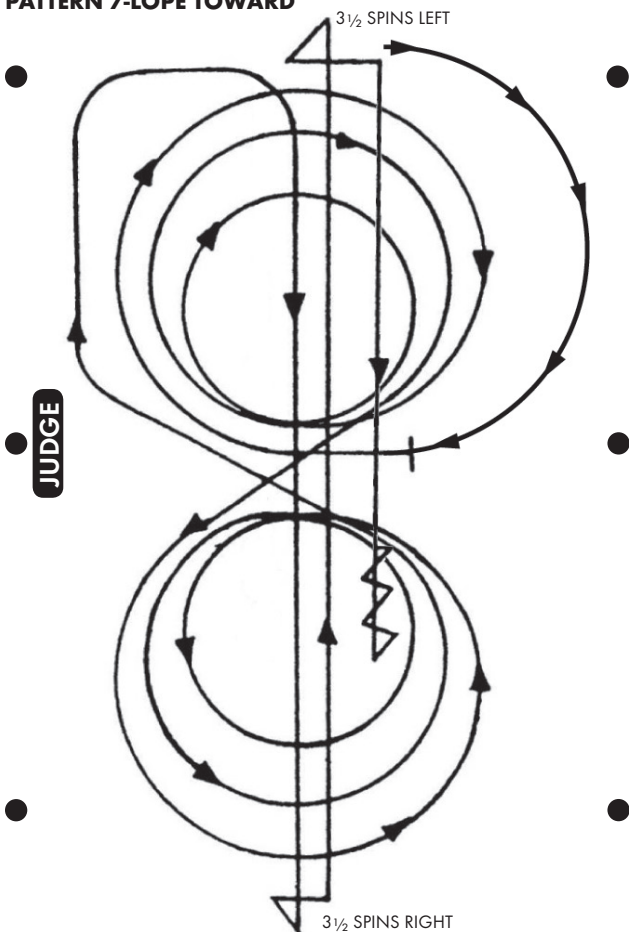


## PATTERN 7-LOPE TOWARD



Begin on right lead. At the center, without stopping or breaking gait, begin pattern facing toward the judge. Refer to rule 20.6.

1. Beginning on right lead and complete 3 circles, the first large, fast, the second small, slow, the third large, fast. Change leads to the left.
2. Complete 3 circles, the first large, fast, the second small, slow, the third, large, fast. Change leads to the right.
3. Continue loping around end of arena without breaking gait or changing leads.
4. Run down center of arena, past end marker and come to a sliding stop. Hesitate.
5. Complete 3 1/2 spins to the right.
6. Run down center of arena past end marker come to sliding stop. Hesitate.
7. Complete 3 1/2 spins to the left.
8. Run past center marker come to sliding stop.
9. Back up at least 10 feet. Hesitate to complete pattern.