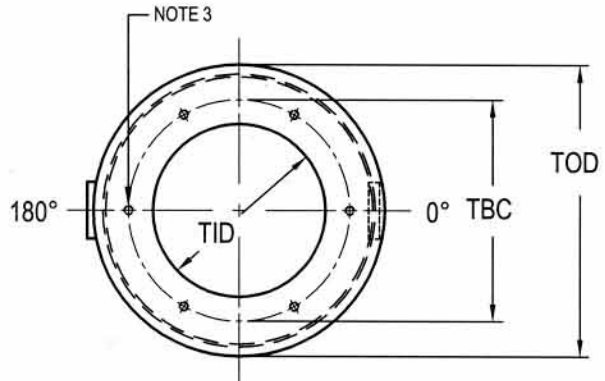




AC21242H200301

LIGHT BASE

L 867 Non Load Bearing



1. Approved and Certified to FAA Advisory Circular AC150/5345-42 L867 class 1
 Size: B=12", D=16", E=24"

2. Base galvanized to ASTM A386

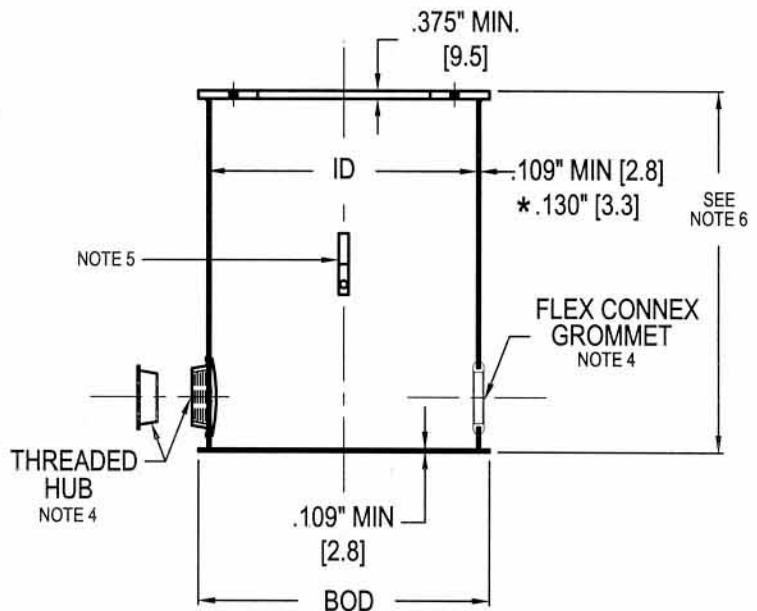
3. (6) 3/8"-16 equally spaced, tapped holes are located over conduit openings

4. Conduit Openings (minimum 2) are:
 Located 180° apart and 2.5" up from bottom
 Various sizes and locations are available
 Protective plug installed in threaded hubs
 Flex Connex Grommets are shipped seperately

5. Ground Straps are available:
 Internal, External, or Both

6. Standard Stocked Heights:
 AC21242Q200301
 AC21242H200301
 AC63242Q200301
 AC63242H200301
 Other heights available as required

7. To designate variations to the base, see ordering worksheet
 (OVER)



TYPE	ID	TBC	TID	TOD & BOD
AC21 __	12.375"	10.25"	8"	13.5"
12" L867B	[314.3]	[260.4]	[203.2]	[342.9]
AC63 __	16.25"	14.25"	12.375"	17.375"
16" L867D	[412.8]	[362]	[314.3]	[441.3]
* AC67 __	22.5"	21.5"	20"	24"
24" L867E Modified	[571.5]	[546.1]	[508]	[609.6]

[] = dimensions in metrics; mm

Series	
08	A/ 8" L868
18	A/ 8" STREET BASE
43	A/ 8" L868 BOTTOM SECTION
21	B/ 12" L867
20	B/ 12" ADJUSTABLE
24	B/ 12" L868
44	B/ 12" L868 BOTTOM SECTION
35	C/ 15" L868
45	C/ 15" L868 BOTTOM SECTION
63	D/ 16" L867
60	D/ 16" ADJUSTABLE
61	LB/ 16" 1315A
67	E/ 24" L867
62	LB/ 16" 4A (E-2491)

Conduit Openings	
1	1"
2	2"
3	3"
4	4" FLEX ONLY
5	.75"
6	1.5"
7	2" SOLID FLEX PUNCHED
8	3" SOLID FLEX PUNCHED
9	4" SOLID FLEX PUNCHED
X	SPECIAL
0	NO OPENINGS

Conduit Type	
C	COUPLING
H	2" HUB
Q	GROMMET
X	SPECIAL
0	NONE

Conduit Locations	
1	0
2	0 180
3	0 90 180
4	0 90 180 270
5	0 0 90 180 180
6	0 0 180 180
7	0 0 90 90 180 180
8	0 0 90 90 180 180 270 270
9	SLEEVE 0 2" FLEX 180
0	NONE
X	SPECIAL

Series

Height

Conduit Opening

Conduit Type

Conduit Locations

Drain Fitting Size

Type of Fitting

Ground Straps

Special Features

Shipping Covers

Shipping covers	
1	.50" L867 / 1315A
2	.50" L867 W/ MUDPLATE
3	.75" L868
4	.75" L867
5	1.25" L868B
6	1.25" L868C
7	1.25 LB-4A
9	5/8" W/ MUDPLATE
X	SPECIAL

Drain Fitting Size	
1	1"
2	.5"
3	.75"
4	.5 OFFSET 3.5"
5	.75 OFFSET 3.5"
6	2"
7	3"
8	1.5"
0	NONE
X	SPECIAL

Drain Fitting Type	
C	COUPLING
H	HOLE
Q	FLEX GROMMET
S	SOLID GROMMET
0	NO DRAIN OPENING

GROUND STRAPS	
3	INTERNAL/ EXTERNAL
1	INTERNAL ONLY
2	EXTERNAL ONLY
I	SPECIFIC INTERNAL
E	SPECIFIC EXTERNAL
S	SHALLOW BASE TYPE
4	INTERNAL .75 X 3" GROUND ROD
5	EXTERNAL .75 X 3" GROUND ROD
6	INT/EXT .75 X 3" GROUND ROD
0	NONE
X	SPECIAL

Special Features	
1	.250" BOTTOM W/ HOOKS
P	.250" BTTM W/ HOOKS .130 WALL
2	3 FINS .75" X 3" X 3/16"
3	TOP FLANGE PCC BAND
4	MID RING ON L868 10" OR LESS
5	.109" BOTTOM W/ HOOKS
6	4 FINS .75" X 3" X 3/16"
7	MID RING ON L867
8	STD .109 BOTTOM 4 BARS
9	STD .109 BOTTOM 4 BARS .130 WALL
0	NONE
X	SPECIAL