



Sealing Solutions

Provide security and protection for your piping systems by incorporating **RAM-COTE UBOLTS** manufactured by RAMCO® Sealing Solutions.



INDUSTRIES

- Oil & Gas
- Pulp & Paper
- Petro Chemical
- Refining
- Water/ Waste Water
- Food & Beverage
- Marine
- Aerospace
- Off Shore Drilling Rigs
- Chemical
- LNG

Available in: Galvanized Steel, Stainless Steel or Teflon Coated and comes standard with an EPDM pad and 4nuts.

Available with a ½ round thermoplastic support pad.

Metal to metal contact between piping and pipe supports can cause premature corrosion on piping systems; ultimately this leads to leaks and the costly unscheduled replacement of piping.

The **RAM-COTE UBOLT** is a non-conductive, low friction thermoplastic barrier that provides the security and insurability your piping system will stay in place while preventing corrosive contact.

Ramco® Sealing Solutions
info@ramcosealing.glacoxmail.com
337-706-8711 p 337-706-8713 f

Division of RAMCO® Manufacturing Company Inc.

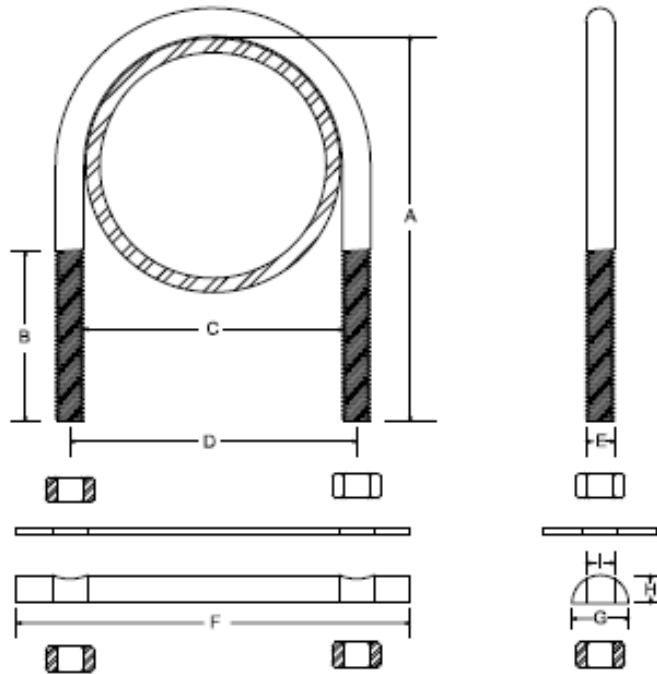


Flange Insulation Gasket Kits

RAM-COTE UBOLTS



Stainless Steel



Teflon Coated

SIZE	Internal Length	Thread Length	Internal Width	Center	Dia.	Half Round Pad Dimensions			
	A	B	C	D	E	F	G	H	I
1/4 x 1/2	3 5/16"	2 3/8"	15/16"	1 3/16"	1/4"	2 1/4"	3/4"	3/8"	3/8"
1/4 x 3/4	3 7/16"	2 3/8"	1 1/8"	1 3/8"	1/4"	2 1/2"	3/4"	3/8"	3/8"
1/4 x 1	3 1/2"	2 3/8"	1 3/8"	1 5/8"	1/4"	2 3/4"	3/4"	3/8"	3/8"
3/8 x 3/4	3 7/16"	2 3/8"	1 1/8"	1 1/2"	3/8"	3"	3/4"	3/8"	1/2"
3/8 x 1	3 9/16"	2 3/8"	1 3/8"	1 3/4"	3/8"	3 1/4"	3/4"	3/8"	1/2"
3/8 x 1 1/4	3 3/4"	2 1/2"	1 3/4"	2 1/8"	3/8"	3 5/8"	1"	1/2"	1/2"
3/8 x 1 1/2	4"	2 1/2"	2"	2 3/8"	3/8"	3 7/8"	1"	1/2"	1/2"
3/8 x 2	4 9/16"	2 1/2"	2 7/16"	2 13/16"	3/8"	4 5/16"	1"	1/2"	1/2"
1/2 x 2	4 5/8"	2 1/2"	2 7/16"	2 15/16"	1/2"	4 7/8"	1"	1/2"	5/8"
1/2 x 2 1/2	5 3/16"	3"	3"	3 1/2"	1/2"	5 1/8"	1"	1/2"	5/8"
1/2 x 3	5 3/4"	3"	3 5/8"	4 1/16"	1/2"	5 7/8"	1"	1/2"	5/8"
1/2 x 3 1/2	6 3/8"	3"	4"	4 1/2"	1/2"	6 3/8"	1"	1/2"	5/8"
1/2 x 4	6 3/4"	3"	4 5/8"	5 1/16"	1/2"	6 15/16"	1"	1/2"	5/8"
1/2 x 5	8"	3"	5 5/8"	6 1/8"	1/2"	8 1/2"	1"	1/2"	5/8"
5/8 x 6	9 7/16"	3 3/4"	6 3/4"	7 3/8"	5/8"	9 5/8"	1 1/2"	3/4"	3/4"
5/8 x 8	11 7/16"	3 3/4"	8 3/4"	9 3/8"	5/8"	11 5/8"	1 1/2"	3/4"	3/4"
3/4 x 10	13 3/4"	4"	10 7/8"	11 5/8"	3/4"	14 1/4"	1 1/2"	3/4"	7/8"
7/8 x 12	16"	4 1/2"	12 7/8"	13 3/4"	7/8"	16 3/4"	1 1/2"	3/4"	1"
7/8 x 14	17 1/4"	4 1/2"	14 1/4"	15"	7/8"	18"	1 1/2"	3/4"	1"
7/8 x 16	19 1/4"	4 1/2"	16 1/4"	17"	7/8"	20"	1 1/2"	3/4"	1"
1 x 18	21 5/8"	6"	18 1/4"	19 1/8"	1"	22 1/2"	1 1/2"	3/4"	1 1/8"
1 x 20	24 5/8"	6"	20 1/4"	21 1/8"	1"	23 1/2"	1 1/2"	3/4"	1 1/8"
1 x 24	27 5/8"	6"	24 1/4"	25 1/8"	1"	28 1/8"	1 1/2"	3/4"	1 1/8"
1 x 30	35"	6"	30 1/4"	31 1/8"	1"	34 1/8"	1 1/2"	3/4"	1 1/8"
1 x 36	40 1/4"	6"	36 1/4"	37 1/8"	1"	40 1/8"	1 1/2"	3/4"	1 1/8"

NOTE RAM-COTE UBOLTS come standard with EPDM support pad and 4 Nuts