

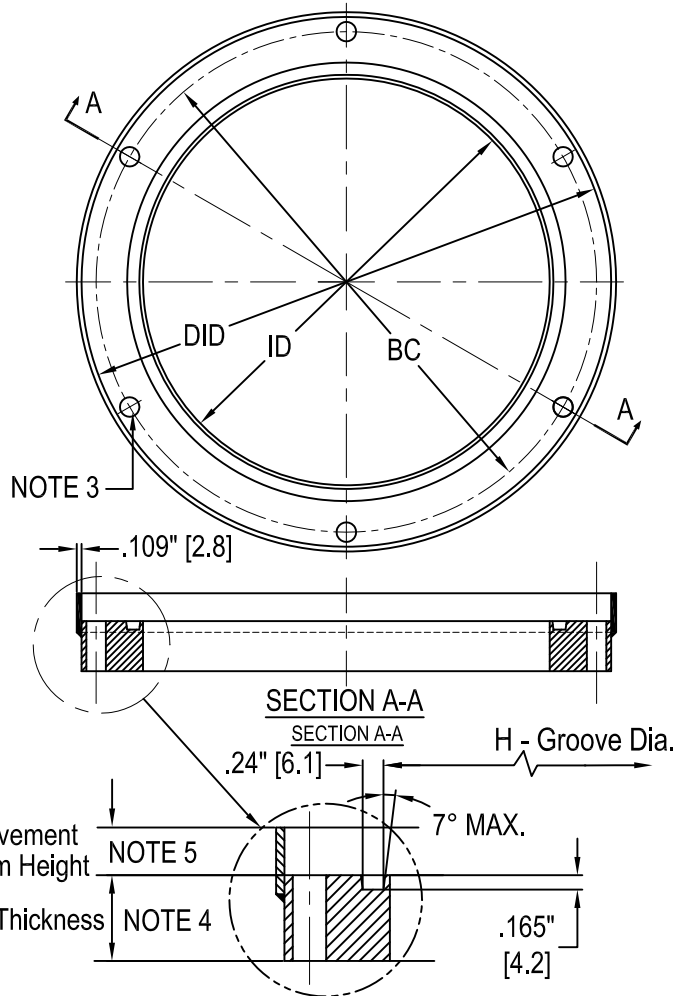
email : Sales@advancedairportequipment.com



# L-868 Class 1A Flange Ring w/ Pavement Dam

## L-868 Class 1A Flange Ring w/ Pavement Dam

- Approved and Certified to FAA Advisory Circular AC150/5345-42F L868 class 1A  
Size: A=8", B=12", C=15"  
A=10" / AC150/5345-42C
- Flange Rings with Pavement Dam made to Class 1A: are zinc plated with O.D. wash
- (6) 7/16" equally spaced, thru holes
- Available from .250" to 2" thickness in 1/16" increments designated with the last 2 digits in product number (ex. 1/2" thick size B Flange Ring is AF540208Y)
- \* 5/8" pavement dam height, standard.  
\*\* 1 1/8" pavement dam height standard.  
Special height pavement dams available
- Flange rings are shipped with:
  - (6) 3/8"-16 x Ring Thickness + 1 1/8" Min. SS hex head cap screws
  - (6) 3/8", 2 piece locking washers (JI Pt. No. 10680607)
  - (1) 'O' ring gasket
    - 8" - (N/A)
    - 10" - (10530791)
    - 12" - (10530021)
    - 15" - (10530274)



	TYPE	DID	ID	BC	H
*	<b>AF0802__Y</b> 8" L868A	8.125" [206.4]	6.5" [165.1]	7.25" [184.2]	6.145" [156.1]
*	<b>AF5102__Y</b> 10" L868A See Note 1	10.125" [257.2]	8" [203.2]	9.25" [235]	8.145" [206.9]
*	<b>AF5402__Y</b> 12" L868B	12.125" [308]	10" [254]	11.25" [285.8]	10.145" [257.7]
*	<b>AF5502__Y</b> 15" L868C	15.125" [384.2]	13" [330.2]	14.25" [362]	13.145" [333.9]
**	<b>AF5702__Y</b> 15" L868C	17.375" [441.3]	13" [330.2]	14.25" [362]	13.145" [333.9]

\* SEE NOTE 5  
\*\* SEE NOTE 5

[ ] = dimensions in metrics; mm.