



JOHNSON AIR PRODUCTS
 2113 Delta Waters Road
 Medford, OR 97504
 541-772-2690 Fax 541-772-2731

Quotation

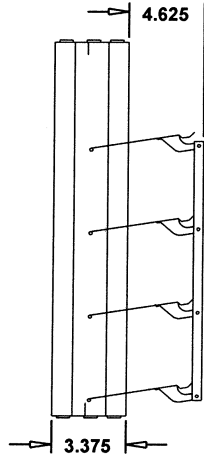
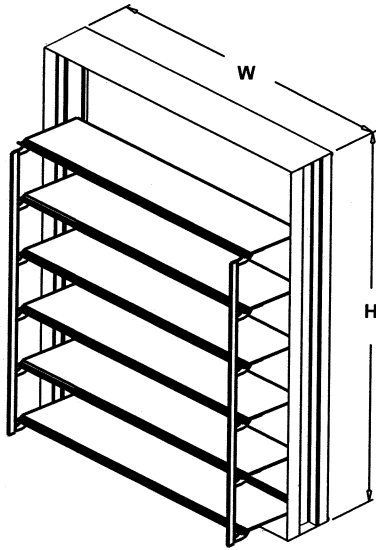
QUOTE DATE	QUOTE NUMBER
12/28/12	S1430547
ORDER TO: JOHNSON AIR PRODUCTS 2113 Delta Waters Road Medford, OR 97504 541-772-2690 Fax 541-772-2731	PAGE NO. 1

QUOTE TO:
 CONWAY CONSTRUCTION
 PO BOX 303
 RIDGEFIELD, WA 98642

SHIP TO:
 CONWAY CONSTRUCTION
 PO BOX 303
 RIDGEFIELD, WA 98642

CUSTOMER NUMBER	CUSTOMER ORDER NUMBER	RELEASE NUMBER	SALESPERSON	
9056	GOLD BEACH		HOUSE ACCOUNT	
WRITER	SHIP VIA	TERMS	SHIP DATE	FREIGHT ALLOWED
FRITZ KUNY	WC WILL CALL	NET 25TH	12/28/12	No
ORDER QTY	PART NO	DESCRIPTION	Unit Price	Net
4ea	152178	GRE WD-400 40"X18" VERTICAL MOUNT INTAKE DAMPER, GALVANIZED FRAME, 304-SS AXLE MATERIAL, SYNTHETIC AXLE BEARINGS, NOMINAL SIZING, AIR PRESSURE OPEN - SPRING RETURN, HI-PRO POLYESTER FINISH - DARK GRAY (041)	118.950	475.80
1ea	152180	**SPECIAL ORDER - NON-RETURNABLE** GRE EM-30 40"X18" VERTICAL MOUNT EXHAUST DAMPER, ALUMINUM FRAME & BLADES, SYNTHIC BEARINGS, ON-BLADE COUNTERWEIGHTS, VINYL BLADE SEALS, 304-SS LINKAGE, NOMINAL SIZING, AIR PRESSURE OPEN - GRAVITY RETURN, ADJUSTABLE PRESSURE CONTROL, HI-PRO POLYESTER FINISH - DARK GRAY (041) **SPECIAL ORDER - NON-RETURNABLE** STANDARD LEAD TIME 4 WEEKS APPROXIMATE STARTING AFTER JANUARY 2ND. ADD FOR 3 WORKING DAY PRODUCTION TO SHIP AFTER JANUARY 2ND \$76.00 TAXES NOT INCLUDED	228.210	228.21
			Subtotal	704.01
			S&H CHGS	0.00
			Amount Due	704.01

We propose to furnish material listed above, at the price shown.
 Prices on quotes are firm for 90 days and then must be re-quoted or verified.



WD-400

Vertical Mount Intake Damper

Application & Design

The WD-400 damper is a vertical mount flangeless non-motorized flangeless backdraft damper for intake air. This damper is designed to prevent reverse airflow. The damper is opened by air pressure differential and closed by springs. Motor packs are not available.

RATINGS

Maximum Pressure: 2 in. wg
Maximum Velocity: 2,500 ft/min
Maximum Temperature: 180.0 F.

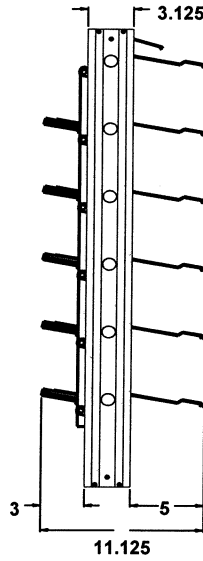
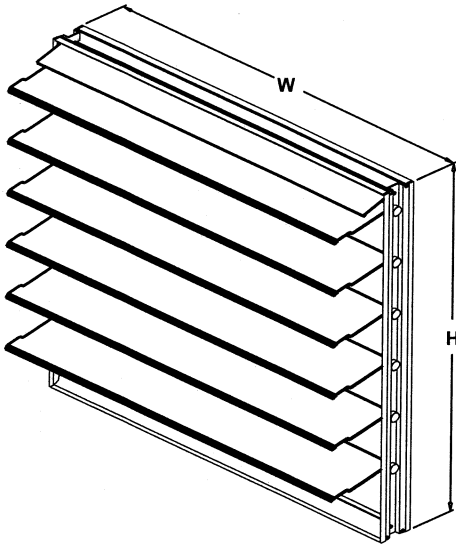
Installation instructions available at www.greenheck.com.

Notes: All dimensions shown are in units of inches.
W & H furnished approximately 0.125 in. undersize.

CONSTRUCTION FEATURES

Frame Material: Galvanized Steel Axle Bearings: Synthetic
Axle Material: Steel Sizing: Nominal

ID #	Tag	Qty	W (in.)	H (in.)
2-1		4	40.000	18.000



EM-30

Vertical Mount Exhaust Damper

Application & Design

The EM-30 series is a vertical mount, flangeless, backdraft damper that is designed to allow horizontal (exhaust) airflow and prevent reverse airflow. This damper is opened by air pressure differential and closed by gravity.

RATINGS

Pressure: 4 in. wg - 10 in. wg
Velocity: 2,500 ft/min - 3,500 ft/min
Temperature: 180.0 F.

CONSTRUCTION

- Frame: Heavy gauge 6063T5 extruded aluminum 0.125 in. thickness.
- Blades: Heavy gauge 6063T5 extruded aluminum 0.07 in. thickness.
- Bearings: Synthetic (acetal) sleeve type.
- Linkage: 0.125 in. plated steel with integral counterbalance weights and nylon pivot bearings.
- Blade Seals: Vinyl.

Installation instructions available at www.greenheck.com.

Notes: All dimensions shown are in units of inches.

W & H furnished approximately 0.25 in. undersized and only refer to damper dimensions (sleeve thickness is not included).

CONSTRUCTION FEATURES

Linkage Material: Plated Steel Operation: Counterbalance
Sizing: Nominal

ID #	Tag	Qty	W (in.)	H (in.)	Sect. Wide	Sect. High
1-1		1	40.000	18.000	1	1