

# An Intelligent Decision Support System for Water Distribution using Fuzzy logic

Saurabh Anand  
Electronics & Telecommunication  
Engineering

(VLSI & Embedded system)  
Zeal College of Engineering and  
Research,

Pune- 411041, INDIA  
anand90saurabh@gmail.com

Prof. (Dr.) A. N. Gaikwad  
Electronics & Telecommunication  
Engineering

(VLSI & Embedded system)  
Zeal College of Engineering and  
Research,

Pune- 411041, INDIA  
arun.gaikwad@zealeducation.com

S.D.Ranade  
Scientist 'E'

Central Water & Power Research  
Station,

Pune- 411024, INDIA  
ranade\_sd@cwprs.gov.in

**Abstract**— Alongside the populace, the issue of water recognizing turns out to be increasingly genuine. Hence, the investigation on water the board and circulation is progressively significant. In this framework, water asset data on-line checking is essential and imperative to water asset the board. A coordinated framework dependent on Artificial Intelligence method/Machine Learning and web of things (IoT) for water assets checking and the executives is proposed. Another savvy Water Distribution System (WDS) in view of accessible water in dam for a time of next rainstorm. It is an insightful answer for controlling of water level in a unique water dispersion framework. Guideline target of the controller is to give required water amount a necessary least head while keeping the engine in its most productive locale. So as to accomplish these goals, a model of water level control framework has been worked with computerized reasoning/Machine Learning procedure is utilized. Water level of the tank is fixed. This framework will anticipate the ideal water level which should be kept up and water is disseminated according to estimation. Fluffy calculation/Naïve Bayes Classifier is created and tuned utilizing Simulink install into smaller scale controller and their exhibitions are analyzed.

**Keywords**— *Artificial intelligence, Internet of Things, Water Distribution System*

## I. INTRODUCTION

The developing enthusiasm on water research has been controlled by different factors, for example, environmental change, urbanization, Industrialization, Agriculture and populace development requiring new business and innovation stages to deal with the expanded degree of assorted variety and intricacy of water circulation the executives. Such fluctuation of both water flexibly and utilization additionally requires an increasingly complex and enhanced dynamic procedure. The ongoing checking of water assets data, water level in dam data, climate determining for blustery season will profit the water dissemination the board. The essential idea of Artificial knowledge/Machine inclining and IoT based

constant water data framework is to give precise and exhaustive data. The framework is created thought activity. Some unequivocal water conveyance boundaries are characterized. Water level in dam boundary is characterized for water amount the board. A remote sensor arrange for water assets data observing is built based IoT. Climate determining for stormy season, needs of water flexibly to the city just as horticultural territory. At last, the framework is produced for water appropriation the executives.

Python is an elevated level, deciphered, intelligent and object-situated scripting language. Python is intended to be profoundly lucid. It utilizes English watchwords as often as possible where as different dialects use accentuation, and it has less linguistic developments than other language. Python is Interpreted-Python is prepared at runtime by the translator. You don't have to arrange your program before executing it. This is like PERL and PHP. Python is Interactive You can really sit at a Python incite and connect with the mediator legitimately to compose your projects. Python is Object-Oriented Python underpins Object-Oriented style or method of programming that epitomizes code inside items. Python is a Beginner's Language Python is an incredible language for the learner level software engineers and supports the improvement of a wide scope of uses from straightforward content handling to WWW programs to games.

## II. LITERATURE SURVEY

Chalitha Kanchana et al. [1] put the possibility of smart answer for 11 controlling of water level in a powerful water conveyance framework.

Ioan Petri, Baris Yuce, Alan Kwan and Yacine Rezgui [2] give the thought on water improvement and catchment guideline and arrangement utilizing man-made brainpower procedure to convey genuine – time choice help for water the board and catchment guideline with reflection to biodiversity insurance and reservation.

CHEN Zhengfa and LIU Guifeng [3] referenced about basic man-made reasoning method for water asset arranging of River Basin which incorporates master framework, choice

emotionally supportive network and savvy improvement calculation.

Qian ling Guo [4] examines significant aptitude and the framework in working out water assets circulation plan. He additionally talks about various rationale structure sketch map. Although the use of DSSs to support disaster recovery efforts has provided tremendous benefits, these systems have certain disadvantages. One of the disadvantages is the inability to freely and rapidly transfer data between individuals and organizations. This is because the systems and technologies of different organizations are different or incompatible. Nonetheless, DSSs have overcome these disadvantages and are widely used by managers. Rajabifard et al. [6] used an intelligent disaster DSS (IDDSS) as a platform to integrate road, traffic, geographic, economic, and meteorological data. IDDSSs are used in the management of road networks during floods. To prevent hazardous traffic scenarios, they provide the law enforcement with the exact locations to establish traffic management points (TMPs) during an emergency. In 2011, Ishak et al. [7] created a conceptual model of a smart DSS

for reservoir operations in case of emergencies such as heavy rainfall. This model can help reservoir operators make accurate decisions for releasing reservoir water so that there is sufficient space for the released water, to avoid local flooding. Moreover, AI has also been integrated into DSSs to increase the decision-making efficiency. Dijkstra's algorithm can find the shortest path between two points and has several applications in various areas. This algorithm has been widely employed in forest fire simulations [8] and in improving the efficiency of route planning [9]. In 2011, Akay et al. [10] improved this algorithm using the Geographic Information System (GIS) to assist firefighters in determining the fastest and safest access routes. This system requires numerous spatial databases, including those of road systems and land. Barrier systems have also been established to simulate the scenario of banned roads; hence, these systems are not only used to determine the fastest route but also to assist firefighters in identifying unforeseen scenarios and determining safe and reliable routes.

### III. PROPOSED SYSTEM

Water asset data on-line observing is essential and imperative to water asset the board. A coordinated framework dependent on Artificial Intelligence/Machine learning procedure and web of things (IoT) for water assets observing and the executives is proposed.

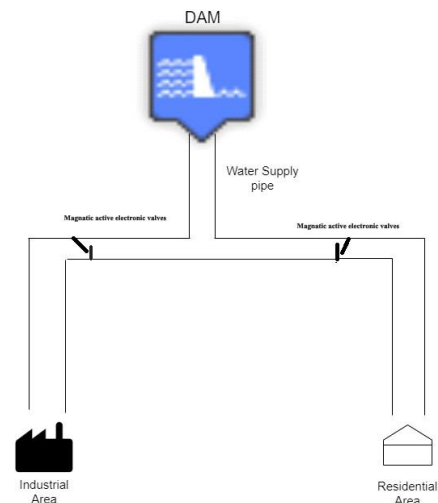


Fig. 1 Block Diagram

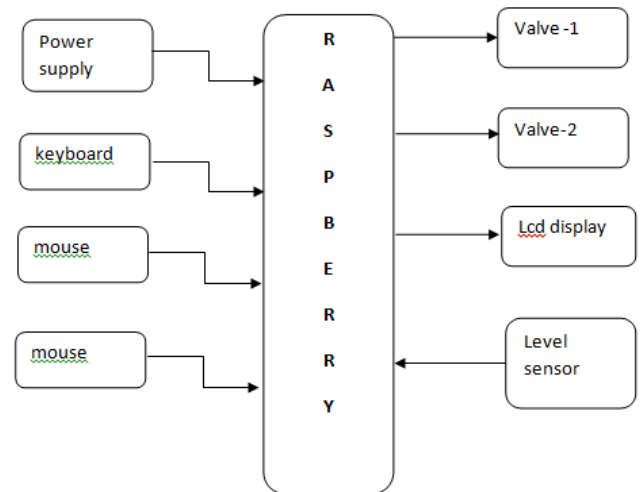


Fig. 2 Connection diagram of Raspberry pi 3B+ for WDS

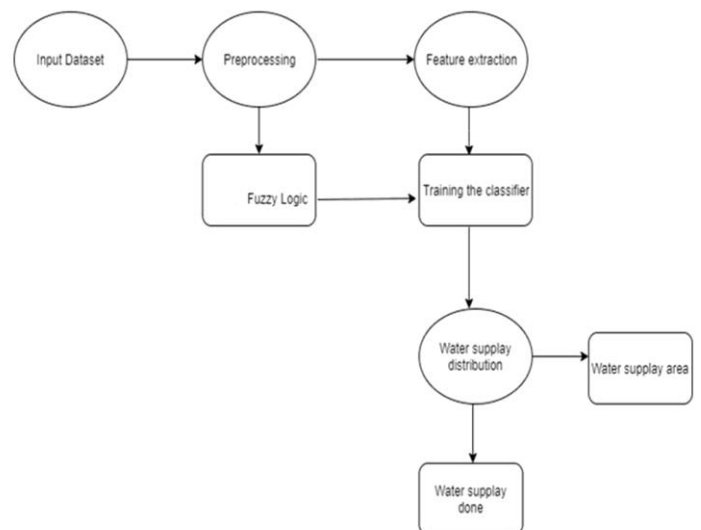


Fig. 3 Flow chart

In the proposed system there are two pipelines one is for Industrial area another is for Residential area as shown in fig.1. As per daily requirement and availability of water in dam, water will supply to both area.

A wireless sensor network for water resources information monitoring is constructed based IoT. Weather forecasting for rainy season, needs of water supply to the city as well as Industrial area. Finally, the system is developed for water distribution management.

A framework for water assets arranging and the board for residential just as modern zone, choice emotionally supportive networks and wise improvement calculations were summed up in subtleties. With the monetary turn of events and social advancement, the water flexibly and request logical inconsistency was additionally exacerbated, so a logical strategy for water assets arranging must be taken. The issue of water assets arranging was a large scale issue including society, economy and condition and different variables, so we build up the application utilizing man-made reasoning and IoT for water asset arranging in which the objectivity and precision could be enormously upgraded. The issue of water assets arranging was a full scale issue including society, economy and condition and different components, so we build up the application utilizing computerized reasoning/Machine learning and IoT for water Distribution arranging in which the levelheadedness and precision could be significantly upgraded.

#### IV. RESULT



Fig. 4 Main Page

Figure 4 gives full idea about system. It accepts total available water in dam along with span of days. Once we enter these things there is four options which gives us result accordingly. We get full statistical analysis of population growth with allocated water for domestic and commercial use.

Date	Population (Approx)	Remaining Water	Allocated Domestic Water	Allocated Commercial Water
01/01/2020	5050537	619263511486	656569810	16346743.48

02/01/2020	5051029	617853113093	656633770	16346743.48
03/01/2020	5051521	616442650739	656697730	16346743.48
04/01/2020	5052012	614997951179	707281680	Holidays
05/01/2020	5052504	613553182739	707350560	Holidays
06/01/2020	5052996	612142528636	656889480	16346743.48
07/01/2020	5053487	610731810702	656953310	16346743.48
08/01/2020	5053979	609321028809	657017270	16346743.48
09/01/2020	5054471	607910182955	657081230	16346743.48
10/01/2020	5054962	606499273272	657145060	16346743.48
11/01/2020	5055454	605054091832	707763560	Holidays
12/01/2020	5055946	603608841512	707832440	Holidays

Table 1 Result for water supply for both areas

In Table1, We can see the water distribution according to daily population growth of the city. In holidays industries don't require water and residential area need more water than week days. This system calculate water requirement of the city as per population and industry in the city and compare with the water available in dam and distribute accordingly.

#### V. CONCLUSION

A framework for water assets arranging and the board for local just as modern territory, choice emotionally supportive networks and savvy streamlining calculations were summed up in subtleties. With the monetary turn of events and social advancement, the water flexibly and request logical inconsistency was additionally exacerbated, so a logical technique for water assets arranging must be taken. The issue of water assets arranging was a large scale issue including society, economy and condition and different elements, so we build up the application utilizing man-made brainpower and IoT for water asset arranging in which the soundness and exactness could be significantly upgraded. The issue of water assets arranging was a large scale issue including society, economy and condition and different elements, so we build up the application utilizing man-made brainpower/Machine learning and IoT for water Distribution arranging in which the soundness and precision could be incredibly upgraded.

#### REFERENCES

- [1] Ioan Petri, Barisyuce, Alan kwan, Yacine Rezgui. "An intelligent analytics system for real-time catchment regulation and water management". IEEE TRANSACTIONS ON INDUSTRIAL INFORMATICS, VOL. 14, No. 9, DEC 2017, PP:3970-3981
- [2] Shifeng Fang, Li Da Xu. An Integrated System for Regional Environmental Monitoring and Management Based on Internet of Things[J], IEEE TRANSACTIONS ON INDUSTRIALINFORMATICS, VOL. 10, NO. 2, MAY 2014,PP:1596-1605.
- [3] Chalitha Kanchana, Thilina Jayaweera, Sarinda jayasinghe, Dhamsara Jayawardana, Nalin Wickramrachchi. "Intelligent Water Management System with Remote Access and Monitoring", 2013 IEEE First International Conference on Artificial intelligence, modeling & Simulation,
- [4] CHEN Zhengfa, LIU Guifeng. "Application of Artificial Intelligence Technology in Water Resources planning of River Basin", 2010 IEEE

- International Conference of Information Science and Management engineering
- [5] Qian ling Guo, "The application of AI in working out Water Resources Distribution Plan", 2011 IEEE 2nd International conference on Artificial Intelligence, Management Science and Electronic Commerce (AIMSEC)
- [6] Thiyagarajan Manihatty Bojan, Umamaheswaran Raman Kumar, Viswanathan Manihatty Bojan, An Internet of Things based Intelligent Transportation System. 2014 IEEE International Conference on Vehicular Electronics and Safety (ICVES).pp:174-179.
- [7] Chen Tao, Xu Ling, Su Guofeng, Yuan Hongyong, Huang Quanyi, Architecture for Monitoring Urban Infrastructure and Analysis Method for a Smart-safe City. 2014 Sixth International Conference on Measuring Technology and MechatronicsAutomation.pp:151-154.
- [8] Tomás Robles, Ramón Alcarria, Diego Martín. An Internet of Things based model for smart water management. 2014 28th International Conference on Advanced Information Networking and ApplicationsWorkshops.pp:821-826
- [9] Yongzhi LIU, Wenting ZHANG, Xinmin CUI, Guodong ZHANG, Gaoxu WANG, City Pipe Network Intelligent Service Based on GIS and Internet of Things. 2014 7th International Conference on Intelligent Computation Technology and Automation.pp:936-939.
- [10] Ke Wang, Wenxue Ran, Gang Wu. Application of Pan in content networking technologies on Ecological Real-time Monitoring of Plateau Lakes. 2011 4th International Congress on Image and Signal Processing.pp:2467-2472.