



# 2-Mbit (256K x 8) Static RAM

## Part Number: DPA71010DV3302A

The DPA71010DV3302A is a high-performance CMOS Static RAM organized as 256K words by 8 bits. Easy memory expansion is provided by an active LOW Chip Enable ( $\overline{CE}$ ), an active LOW Output Enable ( $\overline{OE}$ ), and three-state drivers.

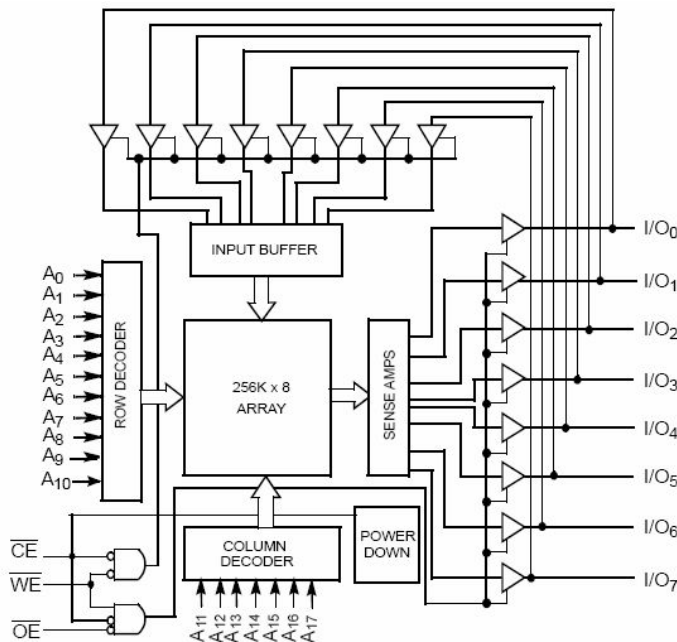
Writing to the device is accomplished by taking Chip Enable ( $\overline{CE}$ ) and Write Enable ( $\overline{WE}$ ) inputs LOW. Data on the eight I/O pins (I/O<sub>0</sub> through I/O<sub>7</sub>) is then written into the location specified on the address pins (A<sub>0</sub> through A<sub>17</sub>).

Reading from the device is accomplished by taking Chip Enable ( $\overline{CE}$ ) and Output Enable ( $\overline{OE}$ ) LOW while forcing Write Enable ( $\overline{WE}$ ) HIGH. Under these conditions, the contents of the memory location specified by the address pins will appear on the I/O pins.

The eight input/output pins (I/O<sub>0</sub> through I/O<sub>7</sub>) are placed in a high-impedance state when the device is deselected ( $\overline{CE}$  HIGH), the outputs are disabled ( $\overline{OE}$

- **-55° to +125°C operating temperature**
- **High speed**
  - $t_{AA} = 12\text{ns}$
- **Low active power**
  - $I_{CC} = 90\text{ mA @ } 12\text{ ns}$
- **Low CMOS standby power**
  - $I_{SB2} = 10\text{ mA}$
- **2.0V data retention**
- **Supply voltage**
  - **3.3 V dc**
- **Automatic power down when deselected**
- **TTL -compatible inputs and outputs**
- **Easy memory expansion with  $\overline{CE}$  and  $\overline{OE}$  features**
- **44-pin SO ceramic flatpack, same footprint as 44-pin TSOP II**
- **Custom packaging is available**
- **This product uses Cypress CYC71010DV33 die and is tested to meet military and space operational environment requirements.**

### Logic Block Diagram



### Pin Configuration

