



# DRAPERY HARDWARE APPLICATIONS AND FUNCTIONALITY

*Selecting the right hardware for Layered  
Treatments*

kirsch

# Today's Agenda

kirsch®

- Why layer treatments?
- 3 things to know to create layered treatments
- Exploring Kirsch Drapery Hardware for layering solutions:
  - Basic over Basic
  - Decorative over Basic
  - Decorative over Decorative



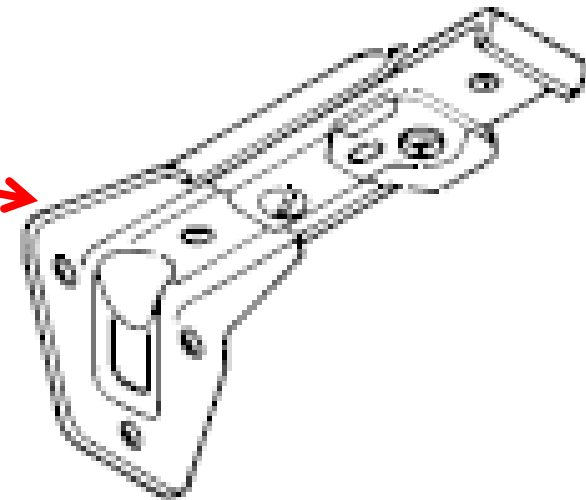
# Terms and Abbreviations

## Terms:

- Fore-part – the part of the bracket that attaches to the rod itself
- Wall base or angle iron – connects fore-part to the wall

## Abbreviations:

- DH = Drapery Hardware
- DDH = Decorative Drapery Hardware
- BDH = Basic Drapery Hardware



# Why Layer Drapery Treatments?

kirsch®



- **Creates beautiful “depth” to window décor**
- **Offers more light control and versatility**
- **Typically provides more energy efficient window covering than single layer treatments**



## 3 things to know to create layered treatments!

kirsch®

**Before creating a layered drapery we must first determine the following for EACH layer!**

- **Function(s)?**
- **Drapery Header Style(s)?**
- **Desired Drapery Hardware Style(s)?**

***Let's quickly take a closer look at each of these...***



# 3 things to know to create layered treatments!

kirsch®

## Function(s)?

### 2 Function Types:

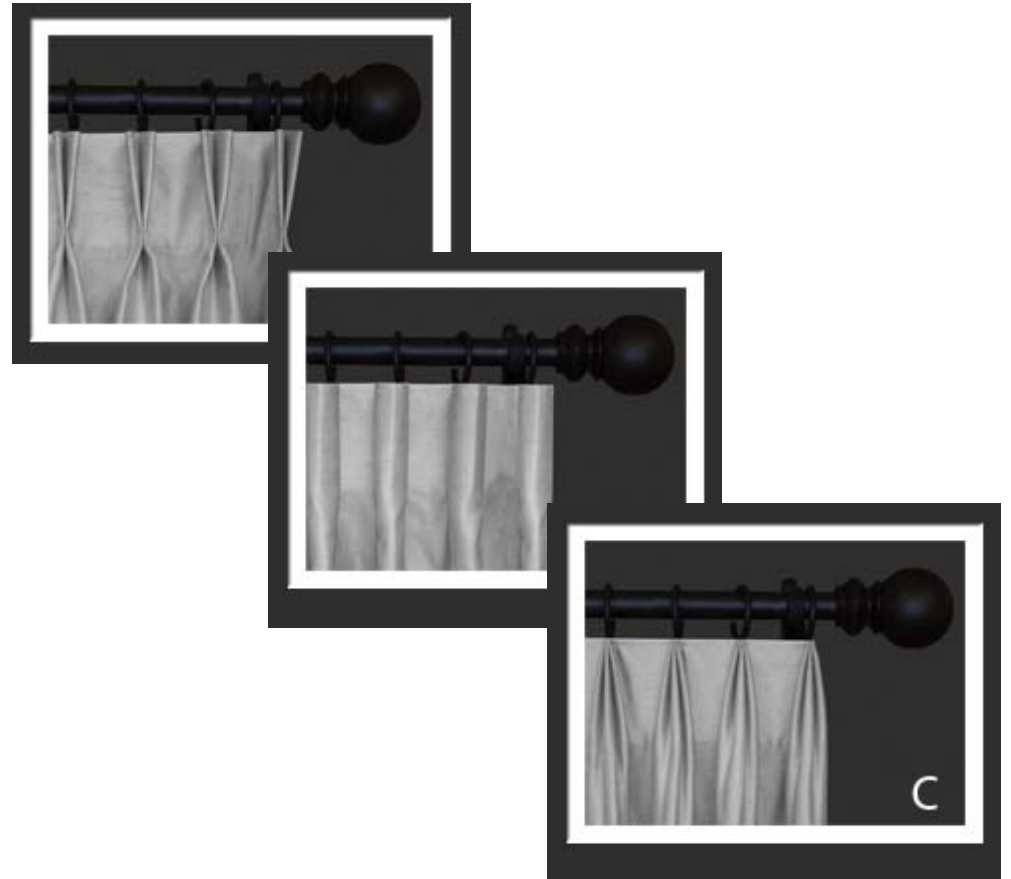
- **Traversing**
  - Has a cord or baton to open/close treatment
- **Stationary**
  - Meant to remain in 1 place
  - The “sit there and look pretty” draperies



# 3 things to know to create layered treatments!

## Drapery Header Style(s)?

- **Determines the “look” of top 4-6” of Drapery**
- **Some Header Styles exclusively use 1 type of DH**
- **Header Styles can be mixed on layered treatments (i.e. Pinch Pleat and Rod Pocket)**



# 3 things to know to create layered treatments!

## Drapery Header Style(s)?

**Most common Header styles used in layering:**

- **Pinch Pleats – ideal for traversing**
- **Rod Pocket – commonly used for stationary**

**Both headers can be used with DDH or BDH**



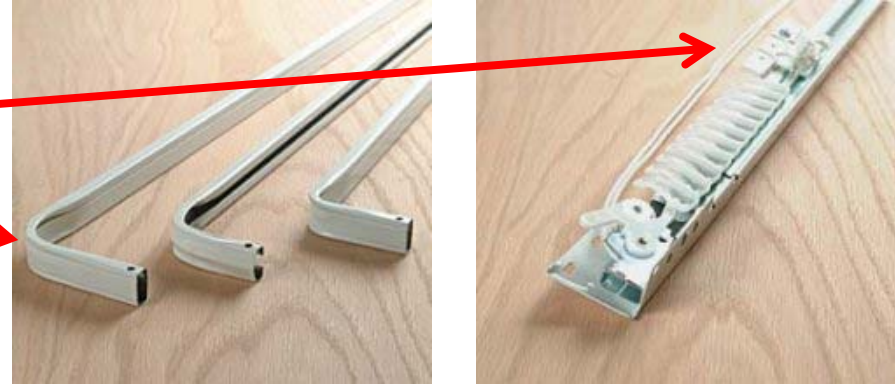


# 3 things to know to create layered treatments!

## Desired Drapery Hardware Style(s)?

### 2 Hardware Styles:

- **Basic DH**
  - Hidden - drapery header covers rod
  - AKA: “white goods”
- **Decorative DH**
  - Visible – enhances look of treatment
  - Drapery header hangs below rod



# 3 things to know to create layered treatments!

kirsch®

*With 3 'factors' to consider, layering options can seem endless and confusing:*

**Decorative Traverse over Basic Stationary**  
**Decorative Traverse over Decorative Traverse**  
**Basic Stationary over Basic Stationary**  
**Basic Traverse over Basic Traverse**  
**Decorative Stationary over Basic Traverse**

*And the list goes on...*

**So let's look at this from the Drapery Hardware offering and see exactly what layered treatments we can create with Kirsch products (and how to do it!)...**



# Exploring Kirsch DH for Layering Solutions



*When approaching Layered Treatments from “Desired DH Style” first, there are 3 over-arching approaches:*

**1) Basic DH over Basic DH**

**2) Decorative DH over Basic DH**

**3) Decorative DH over Decorative DH**

***Question:***

*Why not Basic DH over Decorative DH?*



# Exploring Kirsch DH for Layering Solutions



*When approaching Layered Treatments from “Desired DH Style” first, there are 3 over-arching approaches:*

**1) Basic DH over Basic DH**

**2) Decorative DH over Basic DH**

**3) Decorative DH over Decorative DH**

## ***Question:***

*Why not Basic DH over Decorative DH?*

***Because the DDH would be covered by the BDH, eliminating the “look” and creating additional expense***



## 1) Basic DH over Basic DH

- **Frequently used and versatile approach to layering treatments**
- **Easy to purchase!**
- **Kirsch offers common BDH layered approaches as stock sets that include all necessary parts**



## 1) Basic DH over Basic DH

- a) Basic Traverse over Basic Traverse**
- b) Basic Stationary over Basic Stationary**
- c) Basic Traverse over Basic Stationary**
- d) Basic Stationary over Basic Traverse**

**Let's take a look thru some of the BDH layered sets that Kirsch offers...**



## 1) Basic DH over Basic DH b) Basic Traverse over Basic Traverse

- **Very Common**
- **Sold in stock sets, referred to as “Double Traverse”**
- **Trending down in industry due to visible ‘white’ rod when open**



## 1) Basic DH over Basic DH b) Basic Stationary over Basic Stationary

- **Ideal for layering Rod Pocket treatments**
- **Sold in sets**
- **Common approaches:**
  - **Continental Rod over Curtain Rod**
  - **Curtain Rod over Curtain Rod**





## 1) Basic DH over Basic DH c) Basic Traverse over Basic Stationary

- **Ideal for layering:**
  - Pinch Pleat over Pinch pleat
  - Pinch Pleat over Rod Pocket
- **Listed in Superfine Traverse rod section (“with plain rod”)**
- **Add Utility Rod to existing Traverse rod to achieve**



## 2) Decorative DH over Basic DH

- **NOT sold in pre-packaged sets**
- **Kirsch's extensive line of DH offers many creative solutions**
- **Now it gets really fun and creative... and that's when the questions come in!**
- **Let's take a look at combining Kirsch products to create solutions...**



## 2) Decorative DH over Basic DH

### Idea A: Designer Metals Traverse over Basic Traverse

Very Common approach to layering



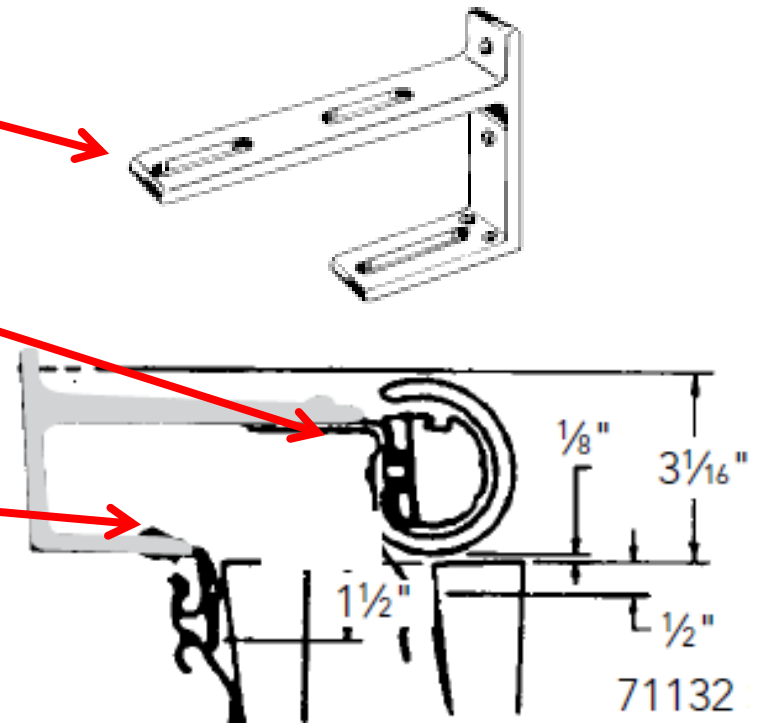
Let's see how to make it with  
Kirsch DH...



## 2) Decorative DH over Basic DH

### Idea A: Designer Metals Traverse over Basic Traverse

- Start with part (71132)
- Add fore-part from Designer Metals traverse rod bracket
- Add fore-part from Superfine Rod
- Idea could also support Estate Traverse Rods!



# Exploring Kirsch DH for Layering Solutions



## 2) Decorative DH over Basic DH

**Idea B: Designer Metals 'Stationary' over Basic Traverse**

**Emerging and Trendy Style... few solutions in market currently**



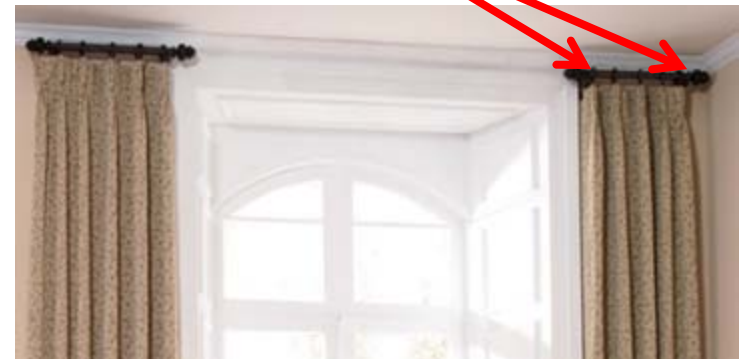
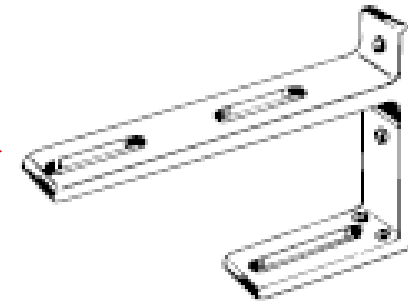
Kirsch has the solution!



## 2) Decorative DH over Basic DH

### Idea B: Designer Metals 'Stationary' over Basic Traverse

- **Start with part (71132)**
- **Add fore-part from Designer Metals and Superfine traverse rod brackets to 71132**
- **Remove strings from Designer Metals Rod to prevent traverse**
- **Carry look across entire width or portions of window**



## 2) Decorative DH over Basic DH

### Idea C: Designer Metals Traverse over Basic Stationary

Another very common approach to layering



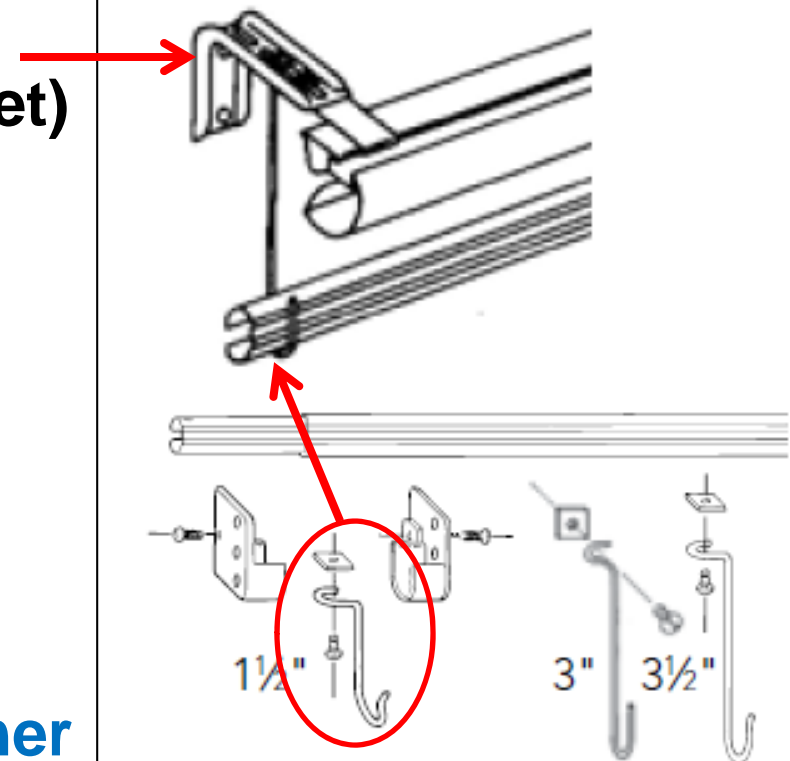
Watch how easy and inexpensive Kirsch makes this...



## 2) Decorative DH over Basic DH

### Idea C: Designer Metals Traverse or Stationary over Basic Stationary

- **Start with Designer Metals Traverse rod (includes bracket)**
- **Add Utility Rod (rod pocket)**
- **Add slides to Utility Rod for pinch pleat headers**
- **NOTE: simply remove Designer Metals cord for stationary top treatment**





## 2) Decorative DH over Basic DH

### Idea C: 2" Wood Trends Stationary over Basic Stationary

- **Start with 5515xxx bracket**
- **Add Utility Rod**
- **May need to 'piece' sheer or under-treatment around center support brackets**
- **Add slides to Utility Rod to support pinch pleat headers**



## 2) Decorative DH over Basic DH

### Idea C: 1 3/8" Wood Trends Stationary over Basic Stationary

- **Start with 5615xxx bracket**
- **Add Utility Rod**
- **May need to 'piece' sheer or under-treatment around center support brackets**
- **Add slides to Utility Rod to support pinch pleat headers**



# Exploring Kirsch DH for Layering Solutions



## 2) Decorative DH over Basic DH

**Idea D: Wood Trends Stationary over Basic Traverse**

**Emerging and Trendy Style... few solutions in market currently**



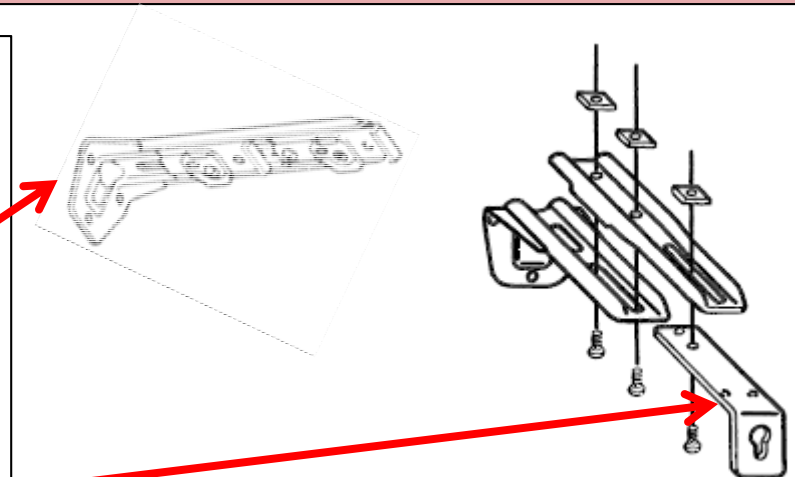
Again Kirsch has the solution!



## 2) Decorative DH over Basic DH

### Idea D: Wood Trends Stationary over Basic Traverse

- **Start with Superfine Rod**
- **Add Superfine double bracket (3580025) for 2<sup>nd</sup> layer**
- **Replace front Superfine fore-part with fore-part from Wood Trends bracket 5620E063**
- **Carry look across entire width or portions of window**



# Exploring Kirsch DH for Layering Solutions



## 3) Decorative DH over Decorative DH

### Idea A: Designer Metals (DM) traverse over DM Traverse

**Extremely popular approach to layering. Becoming more trendy as designers seek to eliminate 'white' rod**



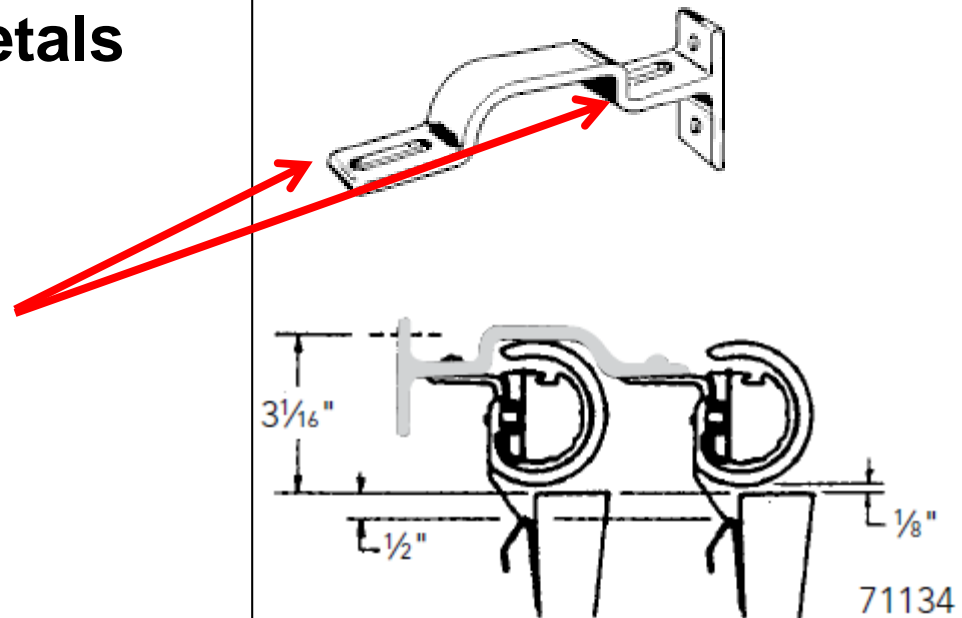
Again Kirsch has the solution!



## 3) Decorative DH over Decorative DH

### Idea A: Designer Metals (DM) traverse over DM Traverse

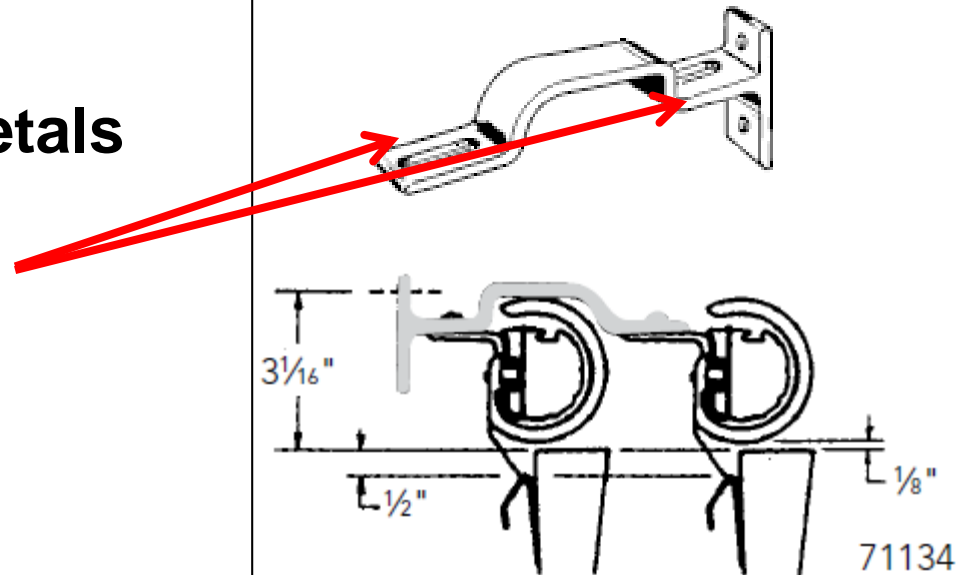
- Start with 2 Designer Metals Traverse Rods
- Add fore-parts from DM bracket to 71134
- It's that easy!
- But what if the designer wants one of the layers to be stationary?



## 3) Decorative DH over Decorative DH

### Idea B: Designer Metals (DM) 'stationary' over DM Traverse (or vice versa)

- **Start with 2 Designer Metals Traverse Rods**
- **Add fore-parts from DM bracket to 71134**
- **Remove cording from DM rod that should remain stationary**



## 3) Decorative DH over Decorative DH

### Idea C: Decorative Stationary over Decorative Stationary

**Widely used and straight forward approach to layering**



Kirsch offers double decorative stationary brackets several collections





## 3) Decorative DH over Decorative DH

### Idea C: Decorative Stationary over Decorative Stationary

- **Wrought Iron Double Bracket**
- **Designer Metals Stationary Double Bracket**



# THANK YOU!

kirsch.



Questions?

